

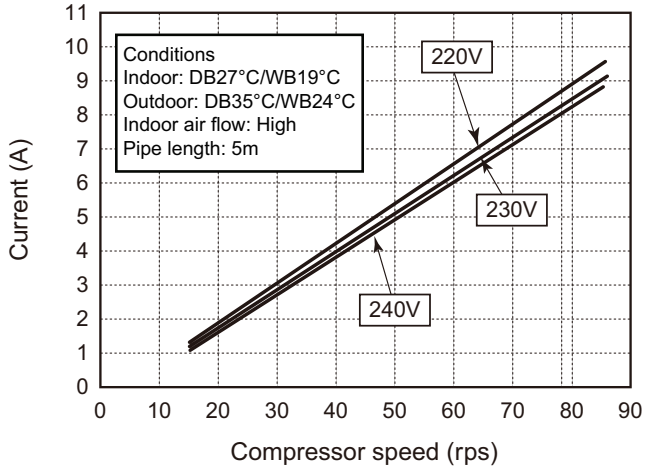
Model			GWH24ACE-K6DNA1A GWH24ACE-K6DNA4A	GWH24ACE-K6DNA1A
Product Code			CB497001901/CB497001903 CB344000801	CB497001900
Power Supply	Rated Voltage	V ~	220-240	220-240
	Rated Frequency	Hz	50	50
	Phases		1	1
Power Supply Mode			Outdoor	Outdoor
Cooling Capacity		W	7000	7000
Heating Capacity		W	7400	7400
Cooling Power Input		W	1900	1900
Heating Power Input		W	1897	1897
Cooling Power Current		A	8.73	8.73
Heating Power Current		A	8.84	8.84
Rated Input		W	3750	3750
Rated Current		A	8.73	8.73
Air Flow Volume(SH/H/M/L/SL)		m ³ /h	660/590/540/490/450/420/390	660/590/540/490/450/420/390
Dehumidifying Volume		L/h	2.4	2.4
EER		W/W	3.68	3.68
COP		W/W	3.90	3.90
SEER		W/W	6.5	6.5
HSPF		W/W	/	/
Application Area		m ²	27-42	27-42
Indoor Unit	Model of Indoor Unit		GWH24ACE-K6DNA1A/I GWH24ACE-K6DNA4A/I	GWH24ACE-K6DNA1A/I
	Indoor Unit Product Code		CB497N01900/CB497N01903 CB344N00800	CB497N01900
	Fan Type		Cross-flow	Cross-flow
	Diameter Length(DXL)		mm	Φ108X830
	Fan Motor Cooling Speed(SH/H/M/L/SL)		r/min	1250/1150/1050/950/900/850/800
	Fan Motor Heating Speed(SH/H/M/L/SL)		r/min	1250/1150/1050/1000/950/900/850
	Output of Fan Motor		W	35
	Fan Motor RLA		A	0.35
	Fan Motor Capacitor		μF	3
	Evaporator Form			Aluminum Fin-copper Tube
	Pipe Diameter		mm	Φ7
	Row-fin Gap		mm	2-1.4
	Coil Length (LXDXW)		mm	850X25.4X342.9
	Swing Motor Model			MP35CJ
	Output of Swing Motor		W	2.5
	Fuse		A	3.15
	Sound Pressure Level (SH/H/M/L/SL)		dB (A)	48/45/42/39/37/36/33
	Sound Power Level (SH/H/M/L/SL)		dB (A)	58/55/52/49/47/46/43
	Dimension (WXHXD)		mm	1122X329X247
	Dimension of Carton Box (LXWXH)		mm	1193X410X350
Dimension of Package (LXWXH)		mm	1148X413X350	
Net Weight		kg	17.5	
Gross Weight		kg	21	

Outdoor Unit	Outdoor Unit Model		GWH24QE-K6DNA1E/O	GWH24QE-K6DNA1E/O
	Outdoor Unit Product Code		CB419W15701	CB419W15700
	Compressor Manufacturer		ZHUHAI LANDA COMPRESSOR CO., LTD	ZHUHAI LANDA COMPRESSOR CO., LTD
	Compressor Model		QXFS-D25zX090H	QXFS-D25zX090H
	Compressor Oil		FW68DA	FW68DA
	Compressor Type		Rotary	Rotary
	Compressor LRA.	A	24	24
	Compressor RLA	A	11.7	11.7
	Compressor Power Input	W	2420	2420
	Compressor Overload Protector		HPC115/95U1/KSD115°C	HPC115/95U1/KSD115°C
	Throttling Method		Electron expansion valve	Electron expansion valve
	Set Temperature Range	°C	16~30	16~30
	Cooling Operation Ambient Temperature Range	°C	-15~43	-15~43
	Heating Operation Ambient Temperature Range	°C	-15~24	-22~24
	Condenser Form		Aluminum Fin-copper Tube	Aluminum Fin-copper Tube
	Condenser Pipe Diameter	mm	Φ7	Φ7
	Condenser Rows-fin Gap	mm	2-1.4	2-1.4
	Condenser Coil Length (LXDXW)	mm	935X38.1X660	935X38.1X660
	Fan Motor Speed	rpm	800	800
	Fan Motor Power Output	W	60	60
	Fan Motor RLA	A	0.58	0.58
	Fan Motor Capacitor	μF	/	/
	Outdoor Unit Air Flow Volume	m ³ /h	3200	3200
	Fan Type		Axial-flow	Axial-flow
	Fan Diameter	mm	Φ520	Φ520
	Defrosting Method		Automatic Defrosting	Automatic Defrosting
	Climate Type		T1	T1
	Isolation		I	I
	Moisture Protection		IPX4	IPX4
	Permissible Excessive Operating Pressure for the Discharge Side	MPa	4.3	4.3
	Permissible Excessive Operating Pressure for the Suction Side	MPa	2.5	2.5
	Sound Pressure Level (H/M/L)	dB (A)	57/-/-	57/-/-
	Sound Power Level (H/M/L)	dB (A)	67/-/-	67/-/-
Dimension(WXHXD)	mm	963X700X396	963X700X396	
Dimension of Carton Box (LXWXH)	mm	1026X455X735	1026X455X735	
Dimension of Package(LXWXH)	mm	1029X458X750	1029X458X750	
Net Weight	kg	53.5	53.5	
Gross Weight	kg	58	58	
Refrigerant		R32	R32	
Refrigerant Charge	kg	1.7	1.7	
Connection Pipe	Connection Pipe Length	m	5	5
	Connection Pipe Gas Additional Charge	g/m	50	50
	Outer Diameter Liquid Pipe	mm	Φ6	Φ6
	Outer Diameter Gas Pipe	mm	Φ16	Φ16
	Max Distance Height	m	10	10
	Max Distance Length	m	20	20
Note: The connection pipe applies metric diameter.				

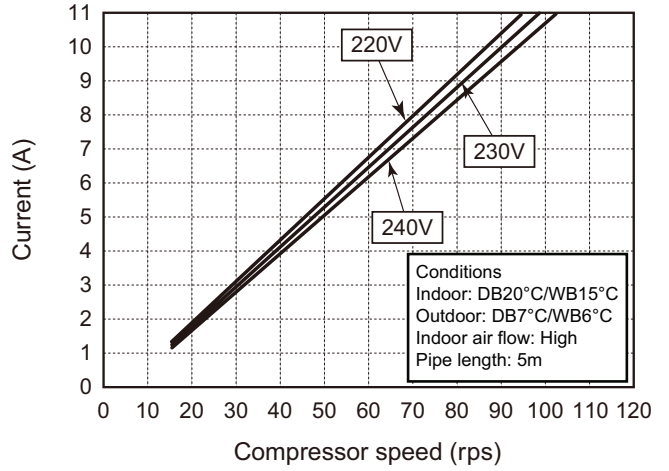
The above data is subject to change without notice. Please refer to the nameplate of the unit.

2.2 Operation Characteristic Curve

Cooling



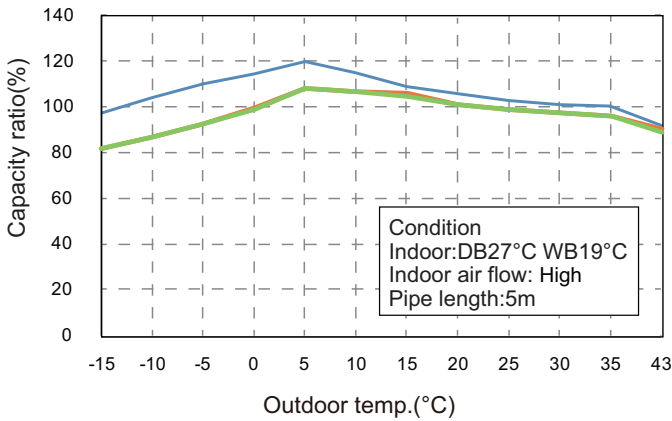
Heating



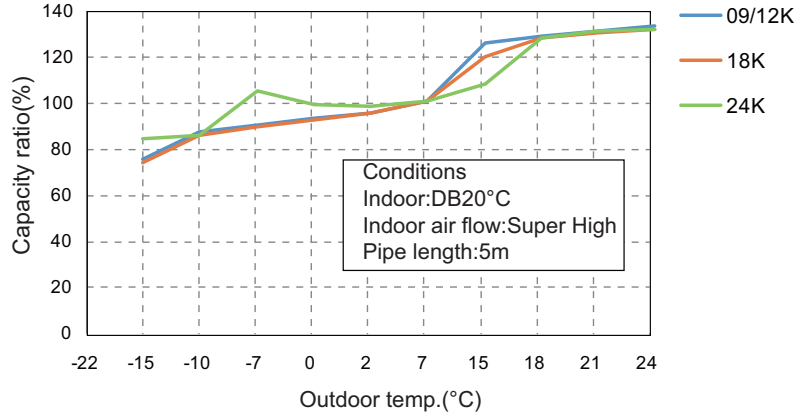
2.3 Capacity Variation Ratio According to Temperature

Heating operation ambient temperature range is -15°C~24°C

Cooling

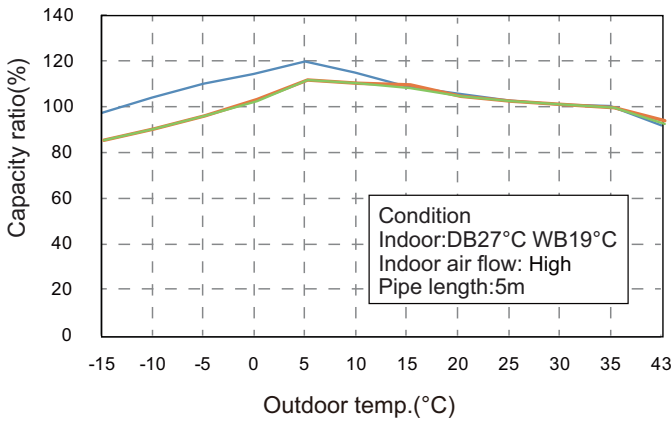


Heating

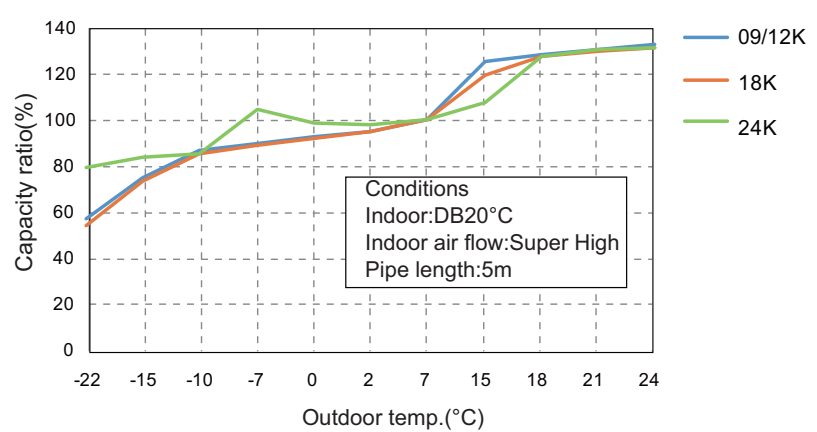


Heating operation ambient temperature range is -22°C~24°C

Cooling

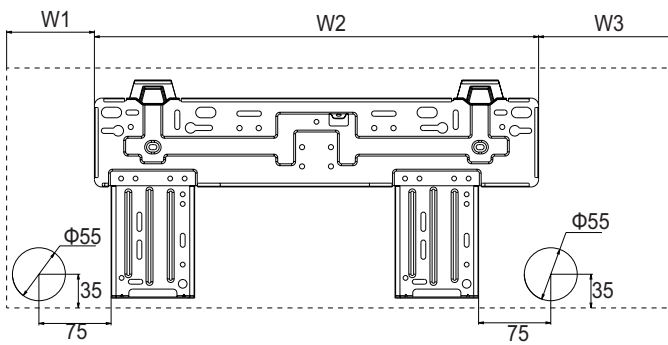
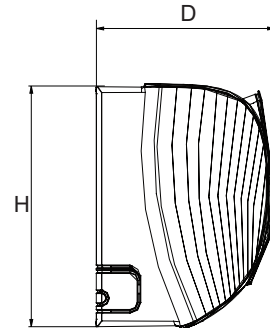
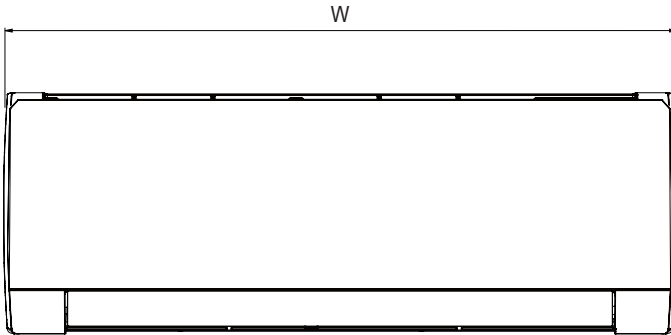


Heating

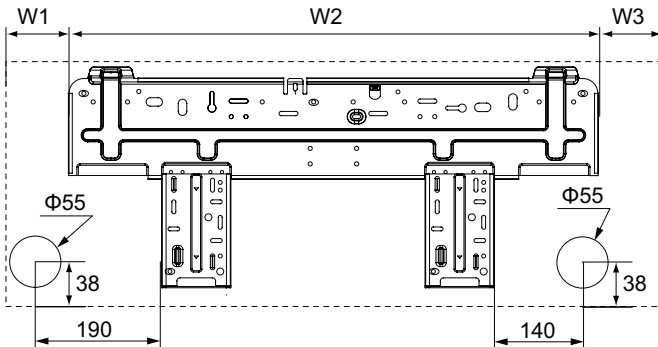


3. Outline Dimension Diagram

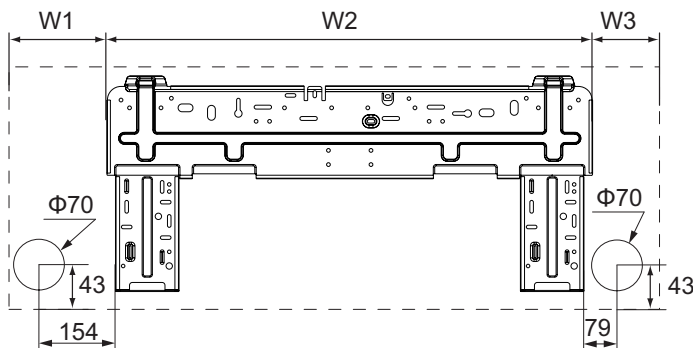
3.1 Indoor Unit



09/12K



18K



24K

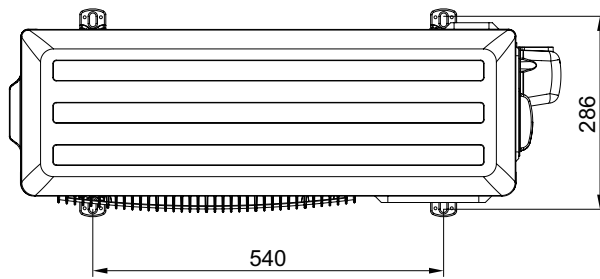
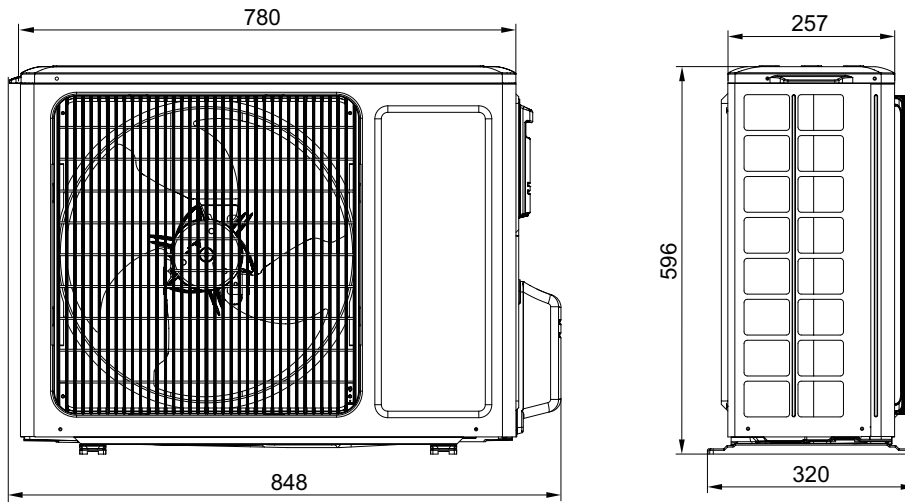
Unit:mm

Unit:mm

Models	W	H	D	W1	W2	W3
09/12K	889	294	212	201.5	541.5	146
18K	1013	307	221	125.5	685	202.5
24K	1122	329	247	207	685	230

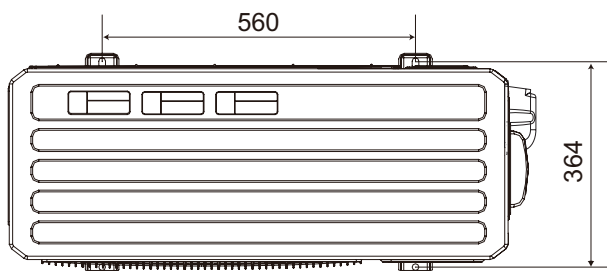
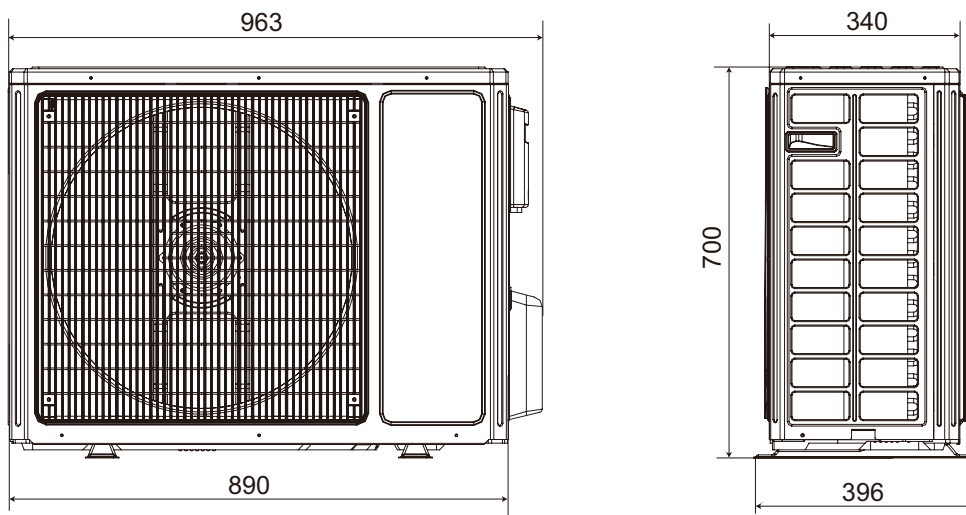
3.2 Outdoor Unit

12K



Unit:mm

18/24K



Unit:mm