

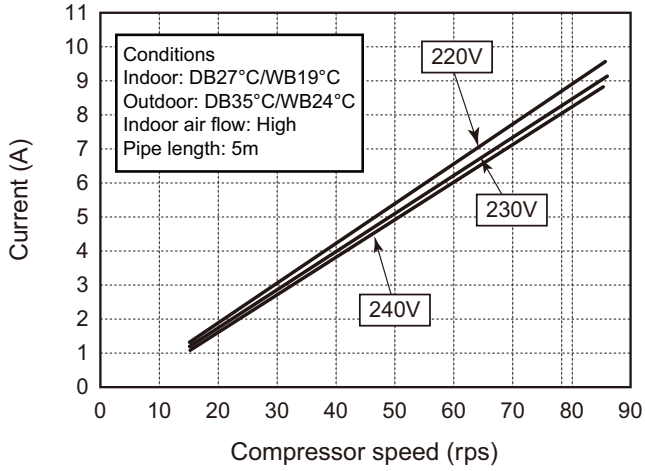
Parameter		Unit	Value	
Model			GWH18ACD-K6DNA1D(LCLH) GWH18ACD-K6DNA5D	GWH18ACD-K6DNA1D(LC) GWH18ACD-K6DNA4D
Product Code			CB497002100 CB341000700	CB497002101/CB497002102 CB344000901
Power Supply	Rated Voltage	V~	220-240	220-240
	Rated Frequency	Hz	50	50
	Phases		1	1
Power Supply Mode			Outdoor	Outdoor
Cooling Capacity		W	5200	5200
Heating Capacity		W	5300	5300
Cooling Power Input		W	1528	1528
Heating Power Input		W	1410	1410
Cooling Current Input		A	6.78	6.78
Heating Current Input		A	6.26	6.26
Rated Input		W	2600	2600
Rated Current		A	6.78	6.78
Air Flow Volume(SH/H/MH/M/ML/L/SL)		m ³ /h	800/720/650/610/570/520/470	800/720/650/610/570/520/470
Dehumidifying Volume		L/h	1.8	1.8
EER		W/W	3.40	3.4
COP		W/W	3.76	3.76
SEER		W/W	7	7
SCOP(Average/Warmer/Colder)		W/W	/	/
Application Area		m ²	23-34	23-34
Indoor Unit	Indoor Unit Model		GWH18ACD-K6DNA1D/I GWH18ACD-K6DNA5D/I	GWH18ACD-K6DNA1D/I GWH18ACD-K6DNA4D/I
	Indoor Unit Product Code		CB497N02100 CB341N00700	CB497N02100/CB497N02102 CB344N00900
	Fan Type		Cross-flow	Cross-flow
	Fan Diameter Length(DXL)		mm	Φ106X706
	Cooling Speed(SH/H/M/L/SL)		r/min	1230\1150\1080\980\900\850\800
	Heating Speed(SH/H/M/L/SL)		r/min	1350\1250\1150\1050\980\900\850
	Fan Motor Power Output		W	35
	Fan Motor RLA		A	0.35
	Fan Motor Capacitor		μF	2.5
	Evaporator Form			Aluminum Fin-copper Tube
	Evaporator Pipe Diameter		mm	Φ7
	Evaporator Row-fin Gap		mm	2-1.4
	Evaporator Coil Length (LXDXW)		mm	715X25.4X304.8
	Swing Motor Model			MP35CJ
	Swing Motor Power Output		W	2.5
	Fuse Current		A	3.15
	Sound Pressure Level(SH/H/MH/M/ML/L/SL)		dB (A)	45/43/41/38/35/34/31
	Sound Power Level(SH/H/MH/M/ML/L/SL)		dB (A)	59/57/55/52/49/48/45
	Dimension (WXHXD)		mm	1013X307X221
	Dimension of Carton Box (LXWXH)		mm	1077X375X300
Dimension of Package(LXWXH)		mm	1080X378X315	
Net Weight		kg	13.5	
Gross Weight		kg	16.5	

Outdoor Unit	Outdoor Unit Model		GWH18QD-K6DNA1D/O(LCLH)	GWH18QD-K6DNA1D/O(LC)
	Outdoor Unit Product Code		CB419W15600	CB419W15601
	Compressor Manufacturer		ZHUHAI LANDA COMPRESSOR CO.,LTD	ZHUHAI LANDA COMPRESSOR CO.,LTD
	Compressor Model		QXF-B141ZF030F	QXF-B141ZF030F
	Compressor Oil		FW68DA or equivalent	FW68DA or equivalent
	Compressor Type		Rotary	Rotary
	Compressor LRA.	A	25	25
	Compressor RLA	A	6.5	6.5
	Compressor Power Input	W	1410	1410
	Compressor Overload Protector		HPC115/95U1 KSD115℃	HPC115/95U1 KSD115℃
	Throttling Method		Electron expansion valve	Electron expansion valve
	Set Temperature Range	℃	16~30	16~30
	Cooling Operation Ambient Temperature Range	℃	-15~43	-15~43
	Heating Operation Ambient Temperature Range	℃	-22~24	-15~24
	Condenser Form		Aluminum Fin-copper Tube	Aluminum Fin-copper Tube
	Condenser Pipe Diameter	mm	Φ7	Φ7
	Condenser Rows-fin Gap	mm	2-1.4	2-1.4
	Condenser Coil Length (LXD _X W)	mm	851X38.1X660	851X38.1X660
	Fan Motor Speed	rpm	800	800
	Fan Motor Power Output	W	60	60
	Fan Motor RLA	A	0.4	0.4
	Fan Motor Capacitor	μF	/	/
	Outdoor Unit Air Flow Volume	m ³ /h	3200	3200
	Fan Type		Axial-flow	Axial-flow
	Fan Diameter	mm	Φ520	Φ520
	Defrosting Method		Automatic Defrosting	Automatic Defrosting
	Climate Type		T1	T1
	Isolation		I	I
	Moisture Protection		IPX4	IPX4
	Permissible Excessive Operating Pressure for the Discharge Side	MPa	4.3	4.3
	Permissible Excessive Operating Pressure for the Suction Side	MPa	2.5	2.5
	Sound Pressure Level (H/M/L)	dB (A)	57/-/-	57/-/-
	Sound Power Level (H/M/L)	dB (A)	64/-/-	64/-/-
Dimension(WXHXD)	mm	963X700X396	963X700X396	
Dimension of Carton Box (LXWXH)	mm	1026X455X735	1026X455X735	
Dimension of Package(LXWXH)	mm	1029X458X750	1029X458X750	
Net Weight	kg	45	45	
Gross Weight	kg	49.5	49.5	
Refrigerant		R32	R32	
Refrigerant Charge	kg	1	1	
Connection Pipe	Connection Pipe Length	m	5	5
	Connection Pipe Gas Additional Charge	g/m	16	16
	Outer Diameter Liquid Pipe	mm	Φ6	Φ6
	Outer Diameter Gas Pipe	mm	Φ12	Φ12
	Max Distance Height	m	10	10
	Max Distance Length	m	25	25
Note: The connection pipe applies metric diameter.				

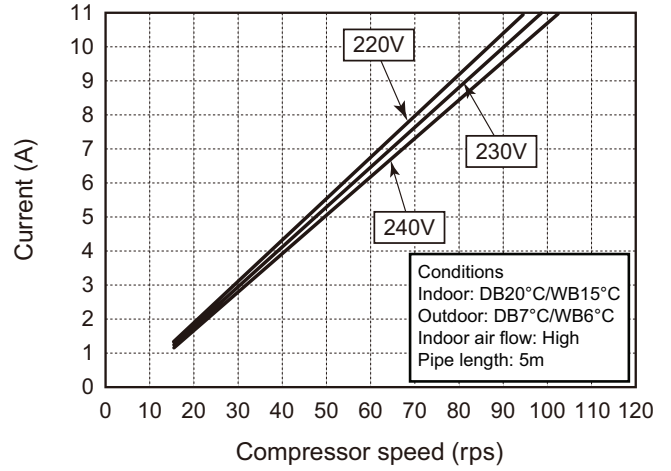
The above data is subject to change without notice. Please refer to the nameplate of the unit.

2.2 Operation Characteristic Curve

Cooling



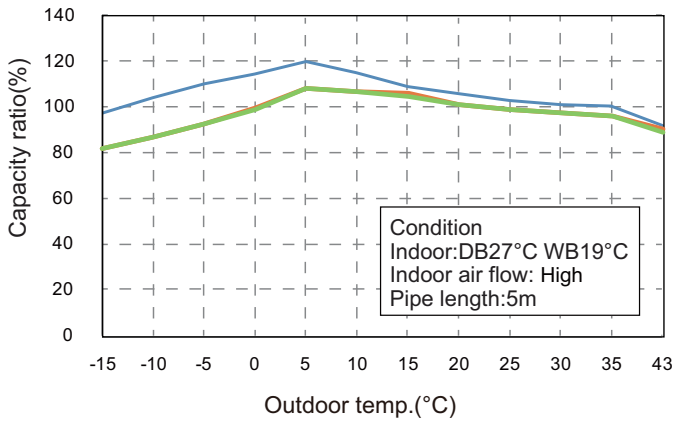
Heating



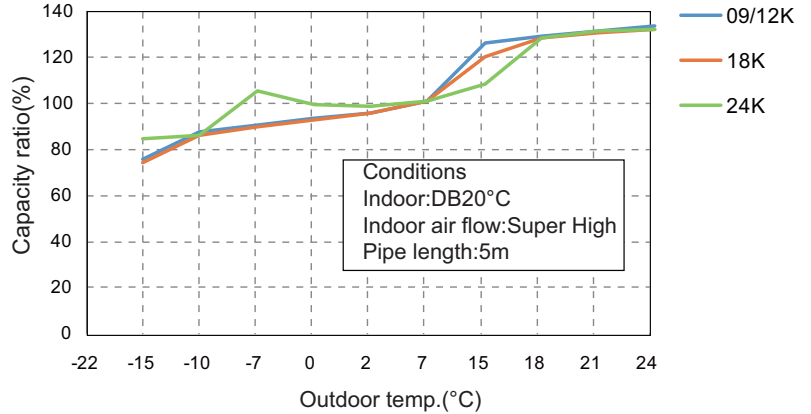
2.3 Capacity Variation Ratio According to Temperature

Heating operation ambient temperature range is -15°C~24°C

Cooling

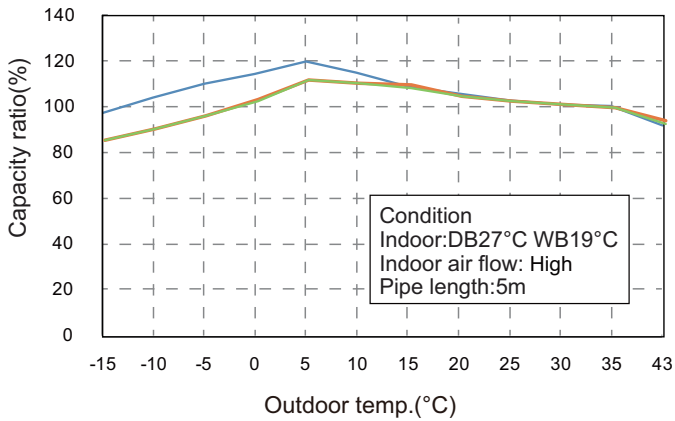


Heating

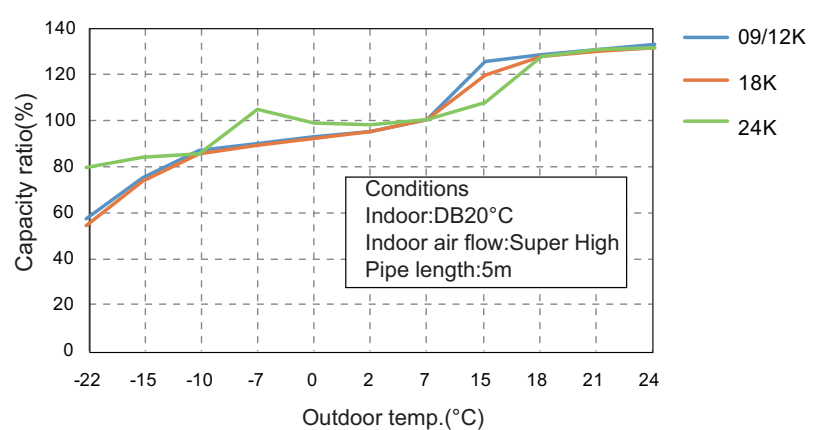


Heating operation ambient temperature range is -22°C~24°C

Cooling

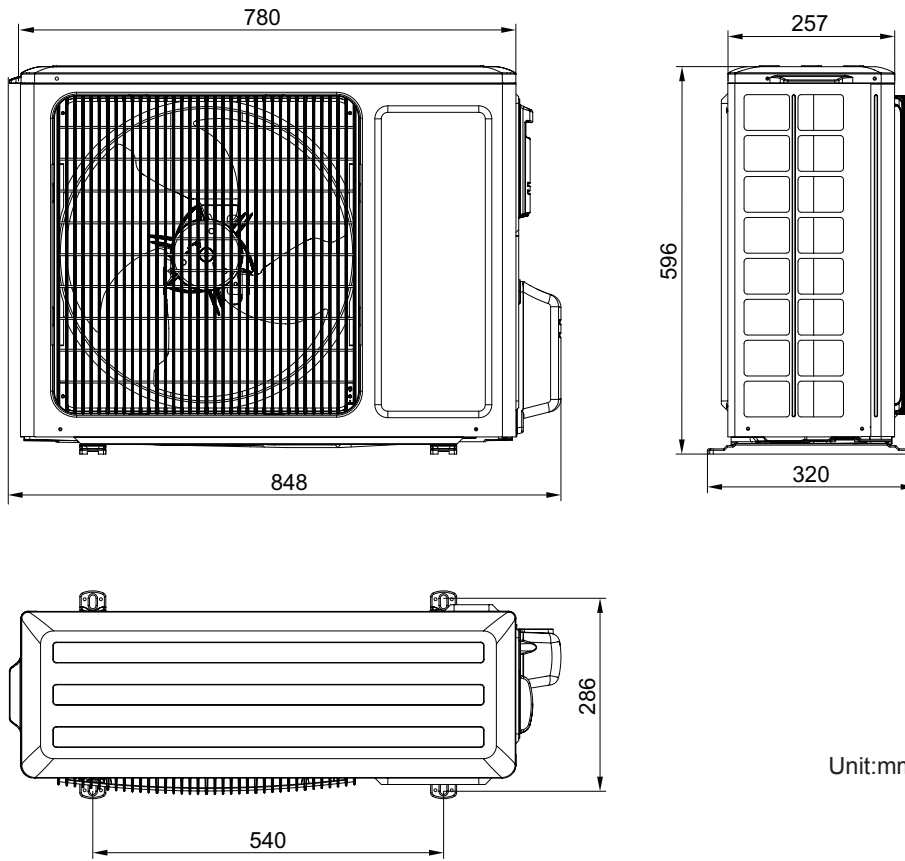


Heating



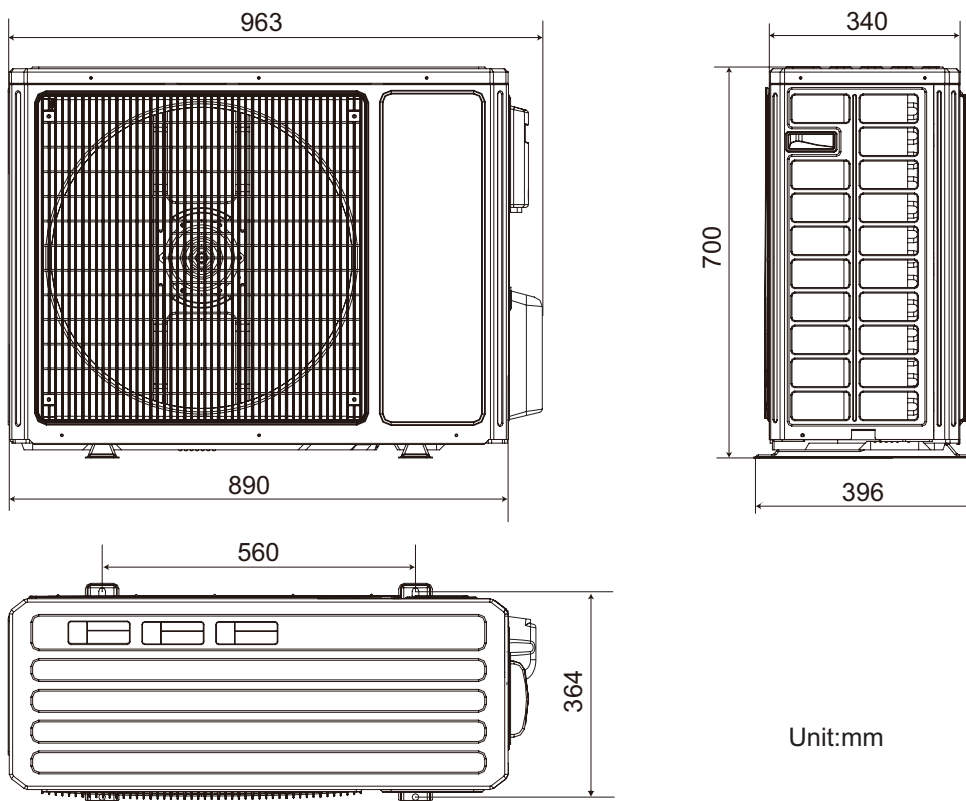
3.2 Outdoor Unit

12K



Unit:mm

18/24K



Unit:mm