

Outdoor Unit	Outdoor Unit Model		GWH09AEC-K6DNA1A/O	GWH09AEC-K6DNA1A/O
	Outdoor Unit Product Code		CB370W00300	CB370W00301
	Compressor Manufacturer		ZHUHAI LANDA COMPRESSOR CO., LTD	ZHUHAI LANDA COMPRESSOR CO., LTD
	Compressor Model		QXF-A102zE190C	QXF-A102zE190C
	Compressor Oil		FW68DA	FW68DA
	Compressor Type		Rotary	Rotary
	Compressor LRA.	A	20	20
	Compressor RLA	A	7.9	7.9
	Compressor Power Input	W	1230	1230
	Compressor Overload Protector		/	/
	Throttling Method		Electron expansion valve	Electron expansion valve
	Set Temperature Range	°C	16~30	16~30
	Cooling Operation Ambient Temperature Range	°C	-15~43	-15~43
	Heating Operation Ambient Temperature Range	°C	-22~24	-15~24
	Condenser Form		Aluminum Fin-copper Tube	Aluminum Fin-copper Tube
	Condenser Pipe Diameter	mm	Φ7	Φ7
	Condenser Rows-fin Gap	mm	2-1.4	2-1.4
	Condenser Coil Length (LXD _X W)	mm	742X38.1X550	742X38.1X550
	Fan Motor Speed	rpm	900	900
	Fan Motor Power Output	W	30	30
	Fan Motor RLA	A	0.36	0.36
	Fan Motor Capacitor	μF	/	/
	Outdoor Unit Air Flow Volume	m ³ /h	2200	2200
	Fan Type		Axial-flow	Axial-flow
	Fan Diameter	mm	Φ438	Φ438
	Defrosting Method		/	/
	Climate Type		T1	T1
	Isolation		I	
	Moisture Protection		IPX4	IPX4
	Permissible Excessive Operating Pressure for the Discharge Side	MPa	4.3	4.3
	Permissible Excessive Operating Pressure for the Suction Side	MPa	2.5	2.5
	Sound Pressure Level (H/M/L)	dB (A)	52/-/-	52/-/-
	Sound Power Level (H/M/L)	dB (A)	62/-/-	62/-/-
Dimension(WXHXD)	mm	848X596X320	848X596X320	
Dimension of Carton Box (LXWXH)	mm	878X360X630	878X360X630	
Dimension of Package(LXWXH)	mm	881X363X645	881X363X645	
Net Weight	kg	33.5	33.5	
Gross Weight	kg	36.5	36.5	
Refrigerant		R32	R32	
Refrigerant Charge	kg	0.7	0.7	
Connection Pipe	Connection Pipe Length	m	5	5
	Connection Pipe Gas Additional Charge	g/m	16	16
	Outer Diameter Liquid Pipe	mm	Φ6	Φ6
	Outer Diameter Gas Pipe	mm	Φ9.52	Φ9.52
	Max Distance Height	m	10	10
	Max Distance Length	m	15	15
	Note: The connection pipe applies metric diameter.			

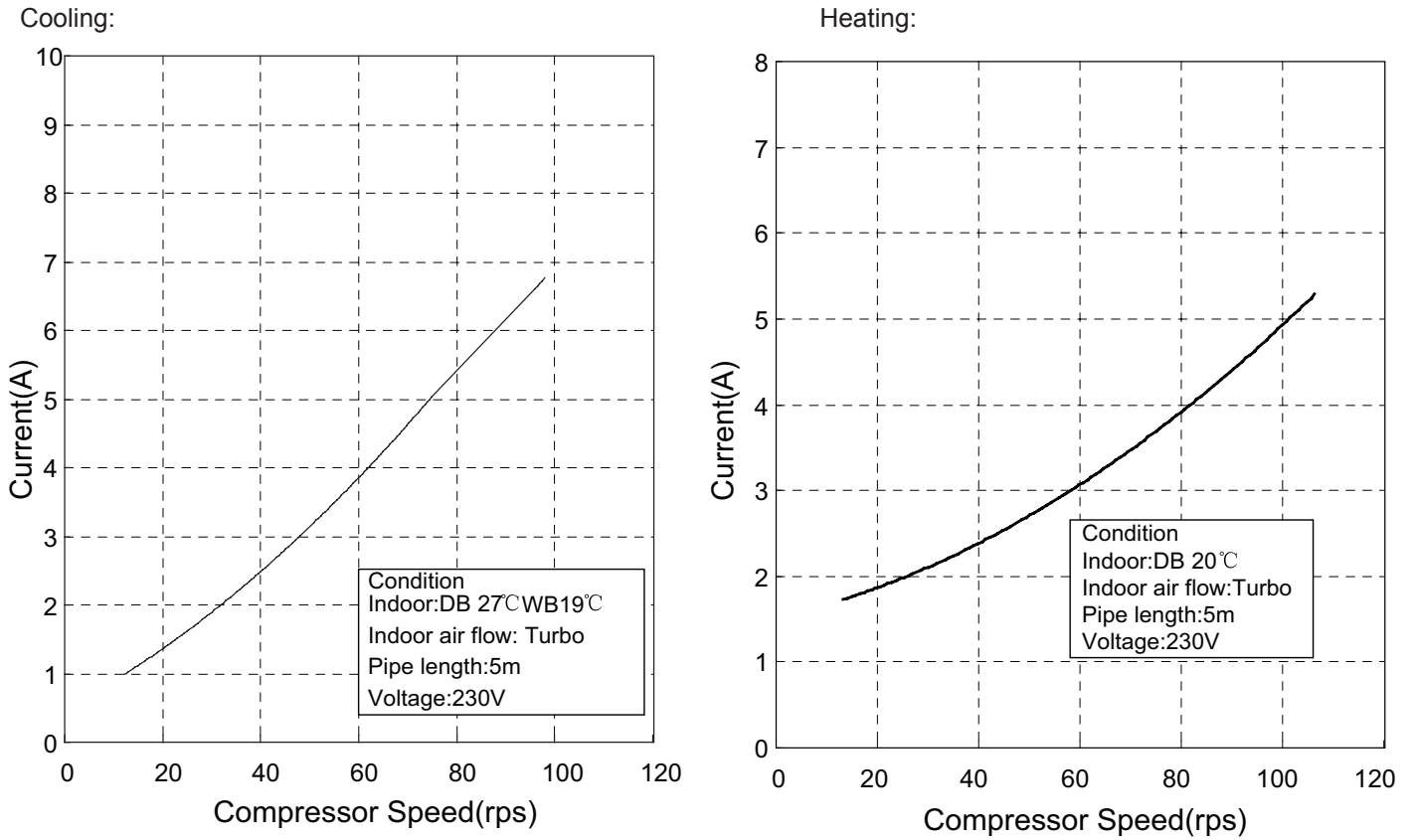
The above data is subject to change without notice. Please refer to the nameplate of the unit.

Model			GWH12AEC-K6DNA1A	GWH12AEC-K6DNA1A(LC)
Product Code			CB370000400	CB370000401
Power Supply	Rated Voltage	V~	220-240	220-240
	Rated Frequency	Hz	50/60	50/60
	Phases		1	1
Power Supply Mode			Outdoor	Outdoor
Cooling Capacity		W	3500	3500
Heating Capacity		W	3810	3810
Cooling Power Input		W	875	875
Heating Power Input		W	952	952
Cooling Current Input		A	4	4
Heating Current Input		A	4.3	4.3
Rated Input		W	1650	1650
Rated Cooling Current		A	6.8	6.8
Rated Heating Current		A	7.5	7.5
Air Flow Volume(SS/H/MH/M/ML/L/SL/SM)		m ³ /h	750/650/600/510/470/360/200/150	750/650/600/510/470/360/200/150
Dehumidifying Volume		L/h	1.4	1.4
EER		W/W	4.0	4.0
COP		W/W	4.0	4.0
SEER		W/W	8.5	8.5
SCOP(Average/Warmer/Colder)		W/W	4.6/5.5/3.5	4.6/5.5/3.5
Application Area		m ²	16-24	16-24
Indoor Unit	Model		GWH12AEC-K6DNA1A/I	GWH12AEC-K6DNA1A/I
	Product Code		CB370N00400	CB370N00400
	Fan Type		Cross-flow	Cross-flow
	Fan Diameter Length(DXL)	mm	Φ98X633	Φ98X633
	Cooling Speed	r/min	1350/1200/1100/1000/850/600/550/500	1350/1200/1100/1000/850/600/550/500
	Heating Speed	r/min	1350/1200/1120/1050/950/800/750/-	1350/1200/1120/1050/950/800/750/-
	Fan Motor Power Output	W	10	10
	Fan Motor RLA	A	0.09	0.09
	Fan Motor Capacitor	μF	/	/
	Evaporator Form		Aluminum Fin-copper Tube	Aluminum Fin-copper Tube
	Evaporator Pipe Diameter	mm	Φ5	Φ5
	Evaporator Row-fin Gap	mm	2-1.4	2-1.4
	Evaporator Coil Length (LXDXW)	mm	634X22.8X304.8	634X22.8X304.8
	Swing Motor Model		MP35CN/MP30AS/MP20AC	MP35CN/MP30AS/MP20AC
	Swing Motor Power Output	W	2.5/2.5/1.5	2.5/2.5/1.5
	Fuse Current	A	3.15	3.15
	Sound Pressure Level	dB (A)	Cooling:43/39/36/33/28/22/21/20 Heating:43/40/37/35/32/27/26/-	Cooling:43/39/36/33/28/22/21/20 Heating:43/40/37/35/32/27/26/-
	Sound Power Level	dB (A)	Cooling:58/53/50/47/42/36/35/34 Heating:58/54/51/49/46/41/40/-	Cooling:58/53/50/47/42/36/35/34 Heating:58/54/51/49/46/41/40/-
	Dimension (WXHXD)	mm	945X293X225	945X293X225
	Dimension of Carton Box (LXWXH)	mm	1032X381X310	1032X381X310
	Dimension of Package (LXWXH)	mm	1035X384X325	1035X384X325
Net Weight	kg	14	14	
Gross Weight	kg	17	17	

Outdoor Unit	Outdoor Unit Model		GWH12AEC-K6DNA1A/O	GWH12AEC-K6DNA1A/O
	Outdoor Unit Product Code		CB370W00400	CB370W00401
	Compressor Manufacturer		ZHUHAI LANDA COMPRESSOR CO., LTD	ZHUHAI LANDA COMPRESSOR CO., LTD
	Compressor Model		QXF-A102zE190C	QXF-A102zE190C
	Compressor Oil		FW68DA	FW68DA
	Compressor Type		Rotary	Rotary
	Compressor LRA.	A	20	20
	Compressor RLA	A	7.9	7.9
	Compressor Power Input	W	1230	1230
	Compressor Overload Protector		/	/
	Throttling Method		Electron expansion valve	Electron expansion valve
	Set Temperature Range	°C	16~30	16~30
	Cooling Operation Ambient Temperature Range	°C	-15~43	-15~43
	Heating Operation Ambient Temperature Range	°C	-22~24	-15~24
	Condenser Form		Aluminum Fin-copper Tube	Aluminum Fin-copper Tube
	Condenser Pipe Diameter	mm	Φ7.94	Φ7.94
	Condenser Rows-fin Gap	mm	2-1.4	2-1.4
	Condenser Coil Length (LXDXW)	mm	734X38.1X550	742X38.1X550
	Fan Motor Speed	rpm	900	900
	Fan Motor Power Output	W	30	30
	Fan Motor RLA	A	0.36	0.36
	Fan Motor Capacitor	μF	/	/
	Outdoor Unit Air Flow Volume	m ³ /h	2200	2200
	Fan Type		Axial-flow	Axial-flow
	Fan Diameter	mm	Φ438	Φ438
	Defrosting Method		/	/
	Climate Type		T1	T1
	Isolation		I	
	Moisture Protection		IPX4	IPX4
	Permissible Excessive Operating Pressure for the Discharge Side	MPa	4.3	4.3
	Permissible Excessive Operating Pressure for the Suction Side	MPa	2.5	2.5
	Sound Pressure Level (H/M/L)	dB (A)	52/-/-	52/-/-
	Sound Power Level (H/M/L)	dB (A)	62/-/-	62/-/-
Dimension(WXHXD)	mm	848X596X320	848X596X320	
Dimension of Carton Box (LXWXH)	mm	878X360X630	878X360X630	
Dimension of Package(LXWXH)	mm	881X363X645	881X363X645	
Net Weight	kg	33.5	33.5	
Gross Weight	kg	36.5	36.5	
Refrigerant		R32	R32	
Refrigerant Charge	kg	0.8	0.8	
Connection Pipe	Connection Pipe Length	m	5	5
	Connection Pipe Gas Additional Charge	g/m	16	16
	Outer Diameter Liquid Pipe	mm	Φ6	Φ6
	Outer Diameter Gas Pipe	mm	Φ9.52	Φ9.52
	Max Distance Height	m	10	10
	Max Distance Length	m	15	15
	Note: The connection pipe applies metric diameter.			

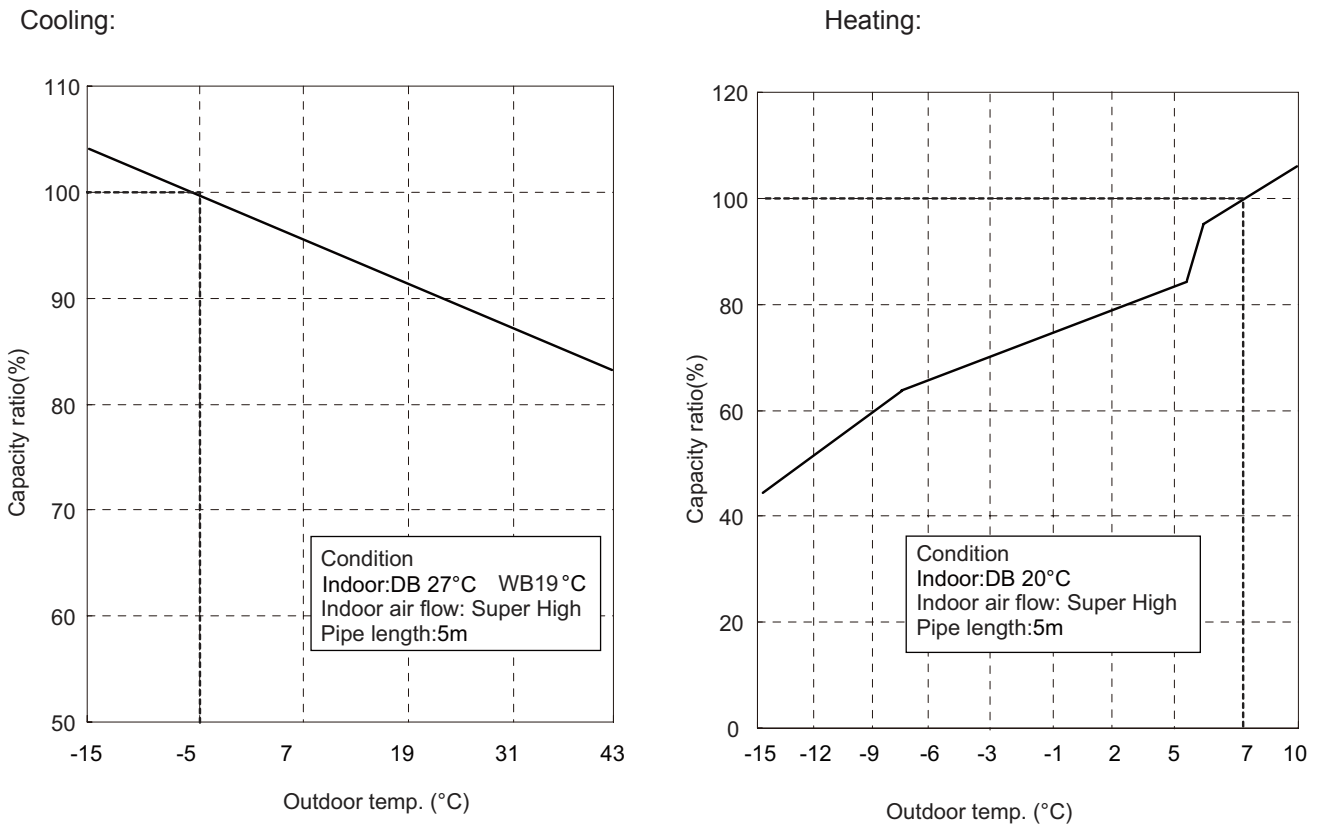
The above data is subject to change without notice. Please refer to the nameplate of the unit.

2.2 Operation Characteristic Curve



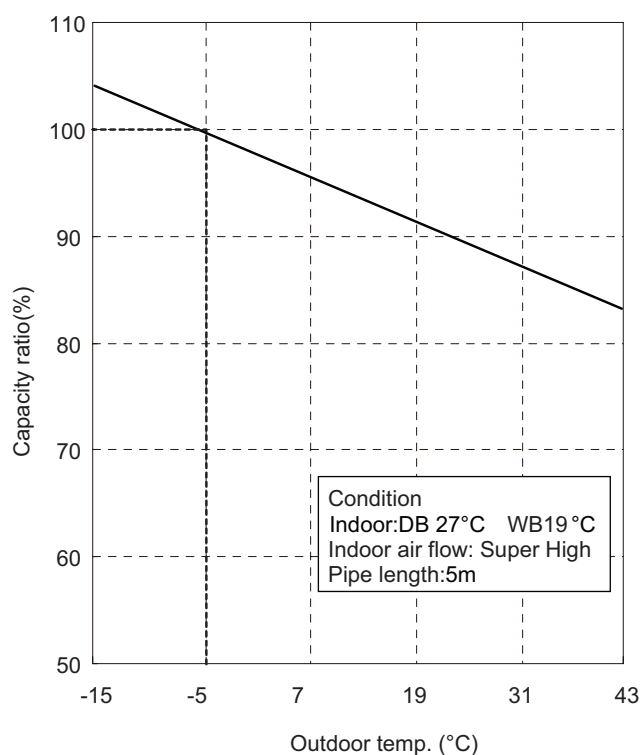
2.3 Capacity Variation Ratio According to Temperature

Heating operation ambient temperature range is -15°C~24°C

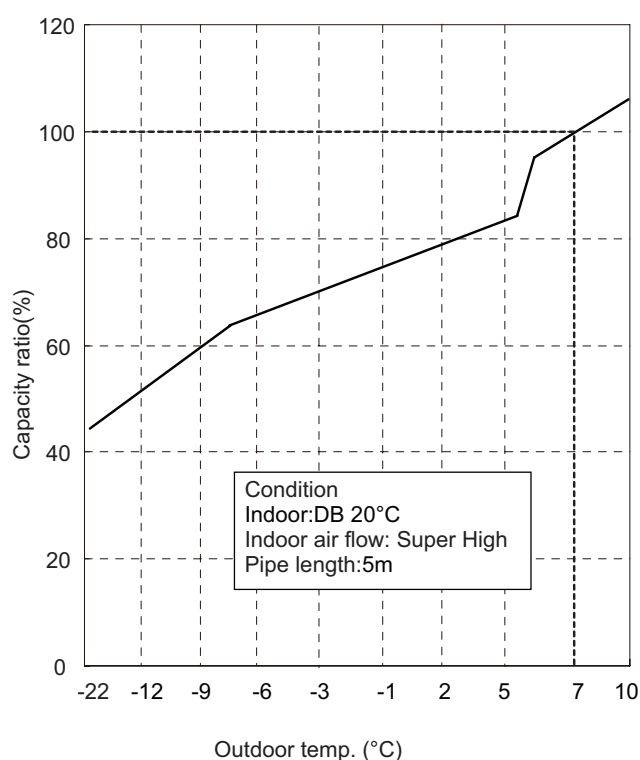


Heating operation ambient temperature range is -22°C~24°C

Cooling:



Heating:



2.4 Cooling and Heating Data Sheet in Rated Frequency

Cooling:

Rated cooling condition(°C) (DB/WB)		Model	Pressure of gas pipe connecting indoor and outdoor unit	Inlet and outlet pipe temperature of heat exchanger		Fan speed of indoor unit	Fan speed of outdoor unit	Compressor revolution (rps)
Indoor	Outdoor			T1 (°C)	T2 (°C)			
27/19	35/24	09K	0.8 ~ 1.1	12 to 15	65 to 38	TURBO	High	49

Heating:

Rated cooling condition(°C) (DB/WB)		Model	Pressure of gas pipe connecting indoor and outdoor unit	Inlet and outlet pipe temperature of heat exchanger		Fan speed of indoor unit	Fan speed of outdoor unit	Compressor revolution (rps)
Indoor	Outdoor			T1 (°C)	T2 (°C)			
20/-	7/6	09K	2.8 ~ 3.2	35 to 63	2 to 5	TURBO	High	59

Instruction:

T1: Inlet and outlet pipe temperature of evaporator

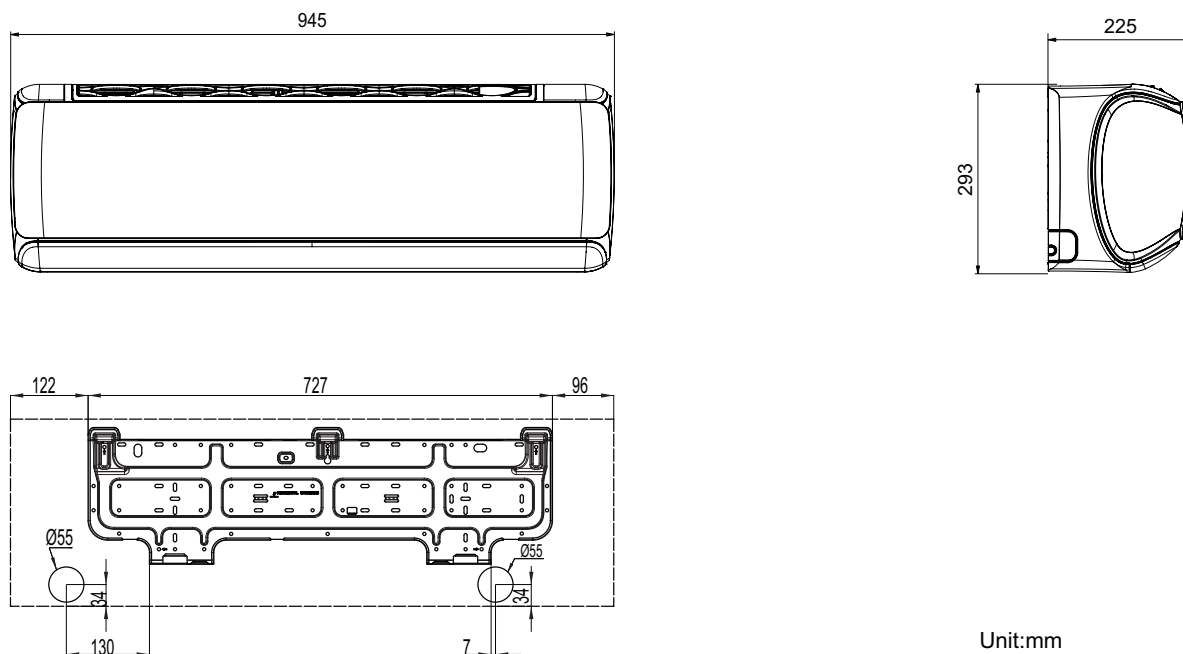
T2: Inlet and outlet pipe temperature of condenser

P: Pressure at the side of big valve

Connection pipe length: 5m.

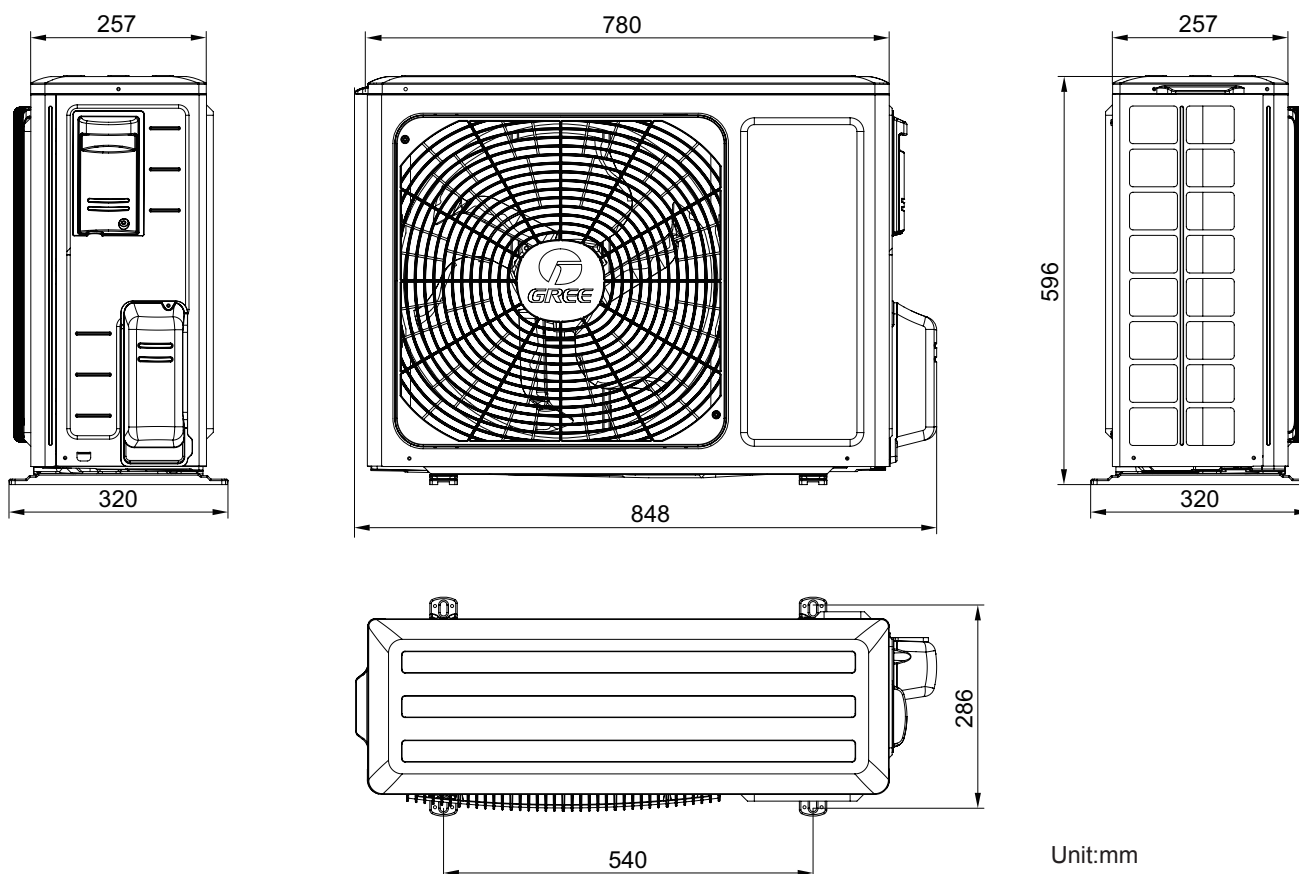
3. Outline Dimension Diagram

3.1 Indoor Unit



Unit:mm

3.2 Outdoor Unit



Unit:mm