

# CASSETTE TYPE AIR CONDITIONER OWNER'S MANUAL



**GB** OWNER'S MANUAL  
ENGLISH

**BS** UPUTSTVO ZA UPOTREBU  
BOSANSKI

**EL** ΕΓΧΕΙΡΙΔΙΟ ΧΡΗΣΗΣ  
ΕΛΛΗΝΙΚΑ

**HU** HASZNÁLATI ÚTMUTATÓ  
MAGYAR

**RO** MANUAL DE UTILIZARE  
ROMÂNĂ

**SL** NAVODILA ZA UPORABO  
SLOVENŠČINA

**SR** KORISNIČKO UPUTSTVO  
SRPSKI

**BG** РЪКОВОДСТВО ЗА ПОТРЕБИТЕЛЯ  
БЪЛГАРСКИ

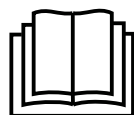
**CZ** NÁVOD K OBSLUZE  
ČEŠTINA

**HR** KORISNIČKI PRIRUČNIK  
HRVATSKI

**MK** УПАТСТВО ЗА КОРИСНИКОТ  
МАКЕДОНСКИ

**SK** NÁVOD NA POUŽITIE  
SLOVENČINA

**SQ** MANUALI I PËRDORIMIT  
SHQIP



**IMPORTANT NOTE:**

Read this manual carefully before installing or operating your new air conditioning unit.

Make sure to save this manual for future reference.

Please check the applicable models, F-GAS and manufacturer information from the "Owner's Manual - Product Fiche" in the packaging of the outdoor unit.

(European Union products only)

# CONTENTS

<b>1. READ BEFORE OPERATING</b>	<b>2</b>
1.1 Safety Precautions	3
1.2 Part Names	4
<b>2. OPERATION</b>	<b>5</b>
2.1 Operating Conditions	5
2.2 How It Works	6
2.3 Hints For Economical Operation	6
<b>3. CARE AND MAINTENANCE</b>	<b>7</b>
<b>4. TROUBLE SHOOTING</b>	<b>8</b>

Indoor Unit	Outdoor Unit	Rated Voltage & Hz	
42QTD009DS*	38QUS009DS*	220-240V~ 50Hz	
42QTD012DS*	38QUS012DS*		
42QTD018DS*	38QUS018DS*		
42QTD018D8S*	38QUS018R8S*		
42QTD018R8S*	38QUS018R8S*		
42QTD024R8S*	38QUS024R8S*		
42QTD024DS*	38QUS024DS*		
42QTD030DS*	38QUS030DS*		
42QTD036DS*	38QUS036DS*		
42QTD036R8S*	38QUS036R8S*		
42QTD048DS*	38QUS048DS*		
42QTD036DS*	38QUS036DT*		IDU:220-240V~ 50Hz ODU:380-415V 3N~ 50Hz
42QTD036R8S*	38QUS036R8T*		
42QTD048DS*	38QUS048DT*		
42QTD048R8S*	38QUS048R8T*		
42QTD060DS*	38QUS060DT*		
42QTD060R8S*	38QUS060R8T*		



**Caution: Risk of fire  
for R32/R290 refrigerant only**

## **WARNING!**

Servicing shall only be performed as recommended by the equipment manufacturer. Maintenance and repair requiring the assistance of other skilled personnel shall be carried out under the supervision of the person competent in the use of flammable refrigerants. For more details, please refer to the Information on servicing on INSTALLATION MANUAL. (This is only required for the unit adopts R32/R290 Refrigerant)

The manufacturer reserves the right to change any product specifications without notice.

# 1. READ BEFORE OPERATING

This product has been determined to be in compliance with the Low Voltage Directive (2014/35/EC), and the Electromagnetic Compatibility Directive (2014/30/EC) of the European Union.



## Correct Disposal of This Product (Waste Electrical & Electronic Equipment)

(When using this air conditioner in European countries, the following guidance must be followed)

- This marking shown on the product or its literature, indicates that waste electrical and electronic equipment (WEEE as in directive 2012/19/EU) should not be mixed with general household waste.

It is prohibited to dispose of this appliance in domestic household waste.

For disposal, there are several possibilities:

1. The municipality has established collection systems, where electronic waste can be disposed of at least free of charge to the user.
2. When buying a new product, the retailer will take back the old product at least free of charge.
3. The manufacture will take back the old appliance for disposal at least free of charge to the user.
4. As old products contain valuable resources, they can be sold to scrap metal dealers.

Wild disposal of waste in forests and landscapes endangers your health when hazardous substances leak into the ground-water and find their way into the food chain.

### ● Symbols used in the units and manual:

	<b>WARNING</b>	This appliance used a flammable refrigerant. If the refrigerant is leaked and exposed to an external ignition source, there is a risk of fire.
	<b>CAUTION</b>	The operation manual should be read carefully.
	<b>CAUTION</b>	A service personnel should be handling this equipment with reference to the installation manual.
	<b>CAUTION</b>	Information is available such as the operating manual or installation manual.



- Moving parts of appliance must be installed/located at the level not less than 2.3m from the floor.

ELECTRICAL work may only be performed by authorized personnel and in accordance with national wiring standard. If the supply cord is damaged, it must be replaced by the manufacturer, its service agent or similarly qualified persons in order to avoid a hazard.

- Servicing shall only be performed as recommended by the equipment manufacturer.
- Maintenance and repair requiring the assistance of other skilled personnel shall be carried out under the supervision of the person competent in the use of flammable refrigerants.

# 1. READ BEFORE OPERATING

---

## 1.1 SAFETY PRECAUTIONS

---

- Read this manual before using the product!
  - This appliance can be used by children aged from 8 years and above and persons with reduced physical, sensory or mental capabilities or lack of experience and knowledge if they have been given supervision or instruction concerning use of the appliance in a safe way and understand the hazards involved.
  - Children shall not play with the appliance. Cleaning and user maintenance shall not be made by children without supervision.
- 

### **WARNING**

This symbol indicates the possibility of personnel injury or loss of life.

- The task of installing this product must only be performed by suitably qualified and experienced persons.
- **ELECTRICAL** work may only be performed by authorized personnel and in accordance with national wiring standard. If the supply cord is damaged, it must be replaced by the manufacturer, its service agent or similarly qualified persons in order to avoid a hazard.
- Do not use extension cord or share the same power outlet with other appliances.
- Do not attempt to maintain, repair, move or modify your air conditioner. Seek professional help - contact an authorized dealer.  
Incomplete repair or maintenance may result in water leakage, electric shock or fire.
- Turn off the unit if unusual smells, sounds or vibrations are noticed. Contact authorized dealer.
- Do not use flammable gas or combustibles such as gasoline, benzene, thinner, etc. in the conditioned space.  
This may result in a fire.
- Do not use a heating appliance in the conditioned space.  
Insufficient ventilation may cause accidents due to oxygen deficiency.
- Operating with wet hands may result in electrical shock.
- Prolonged exposure to drafts may lead to muscular discomfort and dry eyes.  
This could affect your physical condition and cause health problems.
- Do not touch the air outlet or louver while unit is in operation.  
It may cause injury.
- Do not operate the unit in a wet room such as bathroom or laundry room.  
This may result in electric shock.
- Do not inset hands or fingers or other objects into the air inlet or outlet at any time.  
This may cause injury, as the internal fan rotates at high speed.
- Do not place any object especially things containing water, like vases, on the unit.  
This may cause electric shock.
- Store the remote control out of reach of infants.  
Failure to observe this may result in the batteries being swallowed or other accidents.
- This appliance is only intended for use in household environment.  
Appliance for household environment is appliance for typical housekeeping functions used in the household environment that may also be used by non expert users, such as shops, offices and other similar working environment, farm houses, hotels, motels and other residential type environment.

# 1. READ BEFORE OPERATING

## ⚠ CAUTION

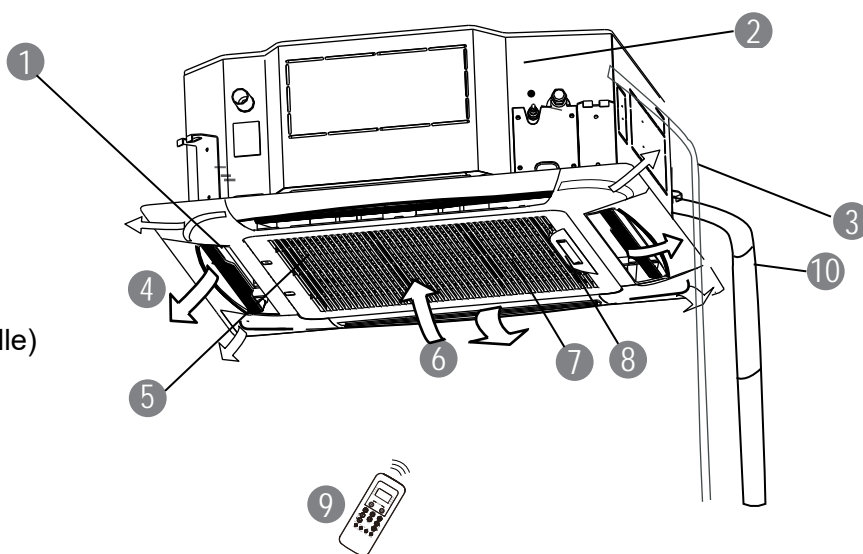
This symbol indicates the possibility of property damage or serious consequences.

- This product is intended for human comfort **ONLY**.
- Do not block air inlets or outlets. Poor performance, increased running costs and reduce product life will result.
- Do not control the system with main power switch.  
It can cause fire or water leakage.
- Do not touch the fins on the heat exchanger.  
Metal parts may have sharp edges that casue injury.
- Disconnect the unit when unused for long periods.
- Disconnect **BEFORE** cleaning or servicing.
- Never use strong detergents, solvents or abrasive polish on the product.
- Regular high level maintenance of the indoor and outdoor units is essential.  
Specialist MAINTENANCE is required to do deep-clean, lubricate and function check of all critical components. Contact a qualified service personnel.

## 1.2 PART NAMES

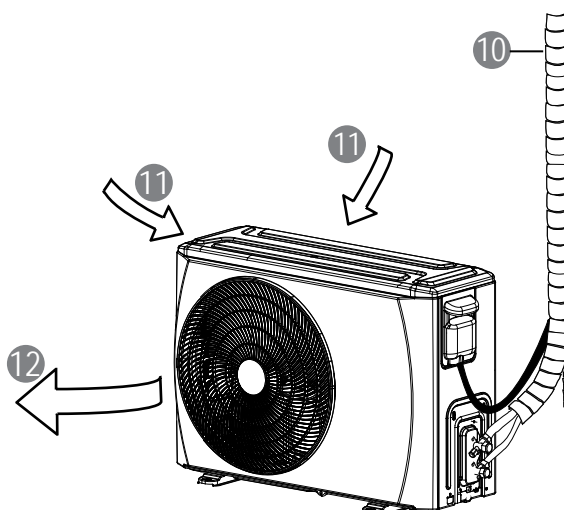
### INDOOR UNIT

- ① Louver
- ② Drain pump
- ③ Drain pipe
- ④ Air outlet
- ⑤ Air filter (inside the grille)
- ⑥ Air inlet
- ⑦ Air inlet grille
- ⑧ Display
- ⑨ Remote controller\*



### OUTDOOR UNIT

- ⑩ Connecting pipe
- ⑪ Air inlet
- ⑫ Air outlet

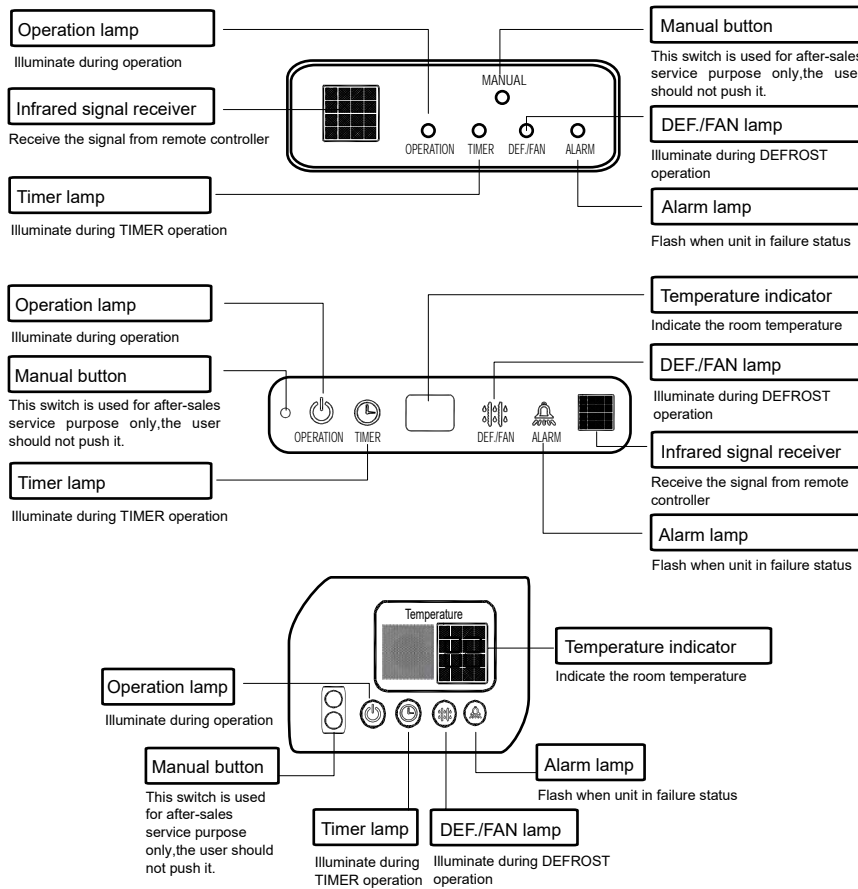


[\*] Remote controller or wired controller: model dependent.

# 1. READ BEFORE OPERATING

## DISPLAY

Function indicators on indoor unit display panel(Depending on model)



### NOTE

- All the pictures in this manual are for explanation purpose only. They may be slightly different from the air conditioner you purchased (Model dependent). The actual shape shall prevail.
- A guide on using the remote controller (or wired controller) is included in this literature packaged.

## 2. OPEATION

### 2.1 OPEATING CONDITIONS

Opeating Conditions		Indoor	Outdoor
Cooling Operation	Upper limit	32°C DB	46°C DB
	Lower limit	18°C DB	-10°C DB
Heating Operation	Upper limit	27°C DB	24°C DB
	Lower limit	0°C DB	-15°C DB

Note: DB - Dry Bulb

- Optimum performance will be achieved within these operating temperatures.
- When the unit operates above or below these conditions for a long time, system diagnostics may detect a malfunction and the unit will not operate properly.
- Room relative humidity - less than 80%. If the air conditioner operates outside this range, the surface of the air conditioner may attract condensation.
- FOR OUTDOOR UNITS WITH AUXILIARY ELECTRIC HEATER: When outside temperature is below 0°C, we strongly recommend keeping the unit plugged in at all time to ensure smooth ongoing performance.

## 2. OPERATION

### 2.2 HOW IT WORKS

Basic Operation Modes: AUTO / COOL / DRY / HEAT / FAN

#### AUTO Mode

- In this setting the system will automatically change modes and fan speed to the set temperature.
- [In spring and autumn, closer temperature control may require COOL/HEAT mode changes.]

#### DRY Mode

In this mode, priority is given to dehumidifying the air. Low fan speed and compressor cycling is used to achieve this and regulate room temperature.

#### Compressor Delay

At start-up, a time delay of 3 to 4 minutes protects the compressor.

#### Cold Draft Prevention

To avoid uncomfortable drafts in heating mode, the indoor unit is preheated before the fan starts. This delay should only last a few minutes.

#### Auto Defrost

Ice develops on the outdoor unit in heating mode. To defrost this ice, the indoor fan stops for a few minutes before heating continues.

#### Auto Restart\*

The unit will automatically restart after a power interruption. Previous user settings are all recovered.

#### Auto Leak Detection\*

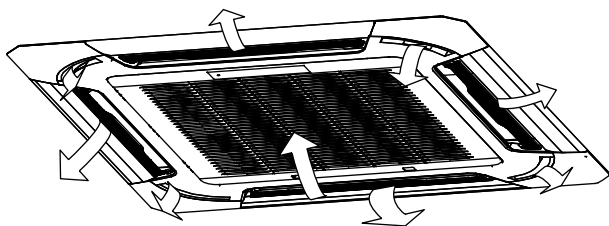
When refrigerant leakage is detected, the unit will display "EC" code or flash LEDs.

#### Louver Memory\*

Louver angle is memorised and will return to the position last selected by the user.

#### Adjusting Air Flow Direction

- Press "AIR DIRECTION" on remote controller to adjust air flow direction. The louver position moves slightly each time the button is pressed.
- Press "SWING" to engage continuous louver motion.



#### NOTE

- Please refer to the REMOTE CONTROLLER MANUAL for details.
- In cooling or dry mode, condensate may form and drip from unit in high humidity condition if louver position is in Maximum down.
- Do not operate the unit with louver closed or narrow opening. Restricted air flow reduced performance and may cause condensate.

[\*] Model dependent

#### CAUTION

Do not attempt to adjust the louver by hand.

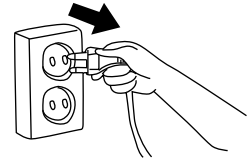
### 2.3 HINTS FOR ECONOMICAL OPERATION

- Adjust the temperature to achieve moderate comfort levels. Excessively low or high temperatures waste energy.
- Improve performance by keeping windows and doors closed.
- Limit energy usage [run time] by using the TIMER function.
- Do not block air inlets or outlets. Poor performance, increased running costs and reduced product life will result.
- Inspect the air filters periodically, and clean them when needed.
- Disconnect the power source if unit will not be used for a long period.

# 3. CARE AND MAINTENANCE

## ⚠ CAUTION

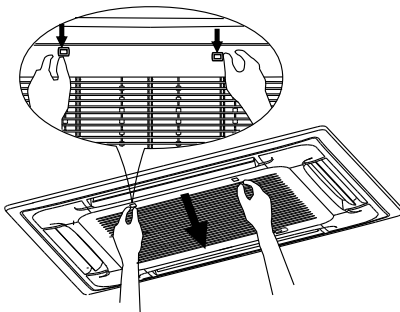
- DISCONNECT from power source BEFORE attempting to clean or service!
- Use a soft damp cloth when cleaning the grille, casing and remote control.
- Always contact a qualified service personnel to carry out repair or any non-user serviceable maintenance, such as deep-cleaning, lubricate and function check of critical component.



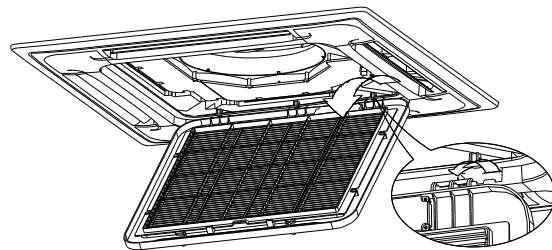
### ■ Cleaning the air filter

Please contact the qualified service personnel to carry out servicing which involve the removal of covers. To maintain the good performance, regularly inspect air filters and clean them if required.

- Push the two grille switches simultaneously to open the grille.

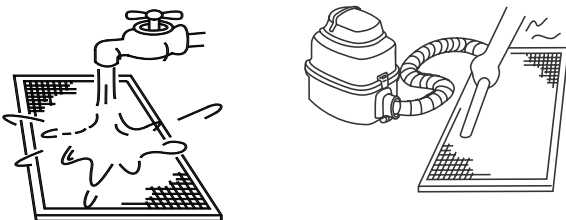


- Disconnect the connecting wire between control box and display board. Then remove the grille and take out the filter.



- Clean the air filter

Vacuum cleaner or pure water may be used to clean the air filter. If the dust accumulation is too heavy, please use soft brush and mild detergent to clean it and dry out in cool place. Re-install the air filter and air inlet grille in reverse order described above.



#### NOTE:

The air-in side should face up when using vacuum cleaner.  
The air-in side should face down when using water.

### ■ Storage Preparation [long idle periods]

1. Clean the air filters
2. In humid or damp climates, operate in Fan only mode until the unit has dried out.
3. Turn the air conditioner off with the remote and remove the batteries.
4. Disconnect from the power source.

### ■ Re-use After Storage

1. Check if anything block the air inlet and outlet.
2. Clean the air filters
3. Check the wires if any damaged or proper grounded.
4. Reconnect to the power source
5. Wait 24 hours when the ambient temperature is low.
6. Reinstall the batteries into the remote controller and turn the unit on.



## 4. TROUBLE SHOOTING

- Please carry out the following check before making a service call.

CONCERN	PLEASE FIRST CHECK!
Unit does not work at all	• Is there a power failure?
	• Has a switch been turned off, a circuit breaker tripped or a fuse blown?
	• Are the batteries in the remoter control fresh?
	• Are the clock and timer on the remote set correctly?
Poor cooling or heating	• Are the temperature and mode settings correct?
	• Are the air filters clean?
	• Are the windows and doors closed?
	• Is air flow unrestricted in & out of indoor & outdoor units?
	• Is fan speed on high and louvers allowing maximum flow?

- **Guides, Tips and Casutions**

The following may occur during normal operation, and may not indicate malfunction.

Case	Explanation
Cooling or heating is delayed.	A 3 minute delay protects the compressor.
Fan speed changes – off , very slow and then normal	Automatically happens in heating mode - prevents cold air blowing onto occupants.
The heating operation stops suddenly and defrost-light blinks.	Frost removal on outdoor unit is in progress (5 – 10mins).
Mist coming out of the indoor unit	May occur when unit temperature is low and room air is hot and humid.
Low volume sounds are emitted by the air conditioner	"Hissing": normal – gas pressure equalizing when compressor stops or starts.
	"Squeaking": normal expansion and contraction of plastic and metal parts.
	Rushing air – normal when louver resets its position.
Dust discharges from the unit.	May occur when air conditioner is used for the first time or has not been used for a long time.
Emits a peculiar odour.	Usually caused by chemicals, cigarette smoke, cooking etc. If not the case call your suitable contractor.
Changes to fan only while cooling or heating.	Room temperature is the same as that selected with the remote. If not the case call a suitable contractor.
Poor heating performance	May occur when outdoor temperatures are close to or below zero degrees Celsius.
Turns on automatically	Normal when power is restored after a power failure.
Operation is erratic, unpredictable or unresponsive.	Interference from cell phone towers and remote boosters may cause the unit to malfunction.
	Disconnect the power and then re-connect.
	Press the ON/OFF button on the remote controller to restart operation.
	If the problem is not resolved call a suitable contractor.

## 4. TROUBLE SHOOTING

---

### ■ Contact your dealer

In the case of ANY of the following, turn off the unit immediately!

- Power cord is damaged or abnormally warm.
- Burning odours are smelled.
- Loud or abnormal sounds are heard.
- A power fuse blows or a circuit breaker trips frequently.
- Water or other objects fall into or out of the unit.
- Indicators blink continuously.
- A self-diagnostic code is displayed e.g. E0, E1, E2 ... or P0, P1, P2... etc.

- Record the product's model number,
- Contact a authorized dealer,
- Share all observed details!

### CAUTION

DO NOT ATTEMPT TO CORRECT THESE ITEMS YOURSELF!  
CONTACT A QUALIFIED SERVICE PERSONNEL!

### CAUTION

- The multi-system air conditioner can not be in different operating modes at the same time, such as one unit being in the "COOL" mode and one unit being in the "HEAT" mode. When conducting different operations, the "HEAT" mode will be given priority. The indoor unit which operates in "COOL" or "FAN" mode will stop and display "P5".

# СЪДЪРЖАНИЕ

1. ПРОЧЕТЕТЕ ПРЕДИ РАБОТА .....	2
1.1 Предпазни мерки .....	3
1.2 Наименование на частите .....	4
2. ЕКСПЛОАТАЦИЯ .....	5
2.1 Условия на експлоатация .....	5
2.2 Как работи климатикът .....	6
2.3 Съвети за икономична експлоатация .....	6
3. ГРИЖИ И ПОДДРЪЖКА .....	7
4. ОТСТРАНЯВАНЕ НА НЕИЗПРАВНОСТИ .....	8

Вътрешно тяло	Външно тяло	Номинално напрежение и честота	
42QTD009DS*	38QUS009DS*	220-240V~ 50Hz	
42QTD012DS*	38QUS012DS*		
42QTD018DS*	38QUS018DS*		
42QTD018D8S*	38QUS018R8S*		
42QTD018R8S*	38QUS018R8S*		
42QTD024R8S*	38QUS024R8S*		
42QTD024DS*	38QUS024DS*		
42QTD030DS*	38QUS030DS*		
42QTD036DS*	38QUS036DS*		
42QTD036R8S*	38QUS036R8S*		
42QTD048DS*	38QUS048DS*		
42QTD036DS*	38QUS036DT*		Вътрешно тяло: 220-240V~, 50Hz Външно тяло: 380-415V 3N~ 50Hz
42QTD036R8S*	38QUS036R8T*		
42QTD048DS*	38QUS048DT*		
42QTD048R8S*	38QUS048R8T*		
42QTD060DS*	38QUS060DT*		
42QTD060R8S*	38QUS060R8T*		



**Внимание: Опасност от пожар  
само за хладилен агент R32/R290**



## **ПРЕДУПРЕЖДЕНИЕ!**

Обслужването трябва да се извършва само според препоръките на производителя на оборудването. Поддръжката и ремонтът, изискващи съдействие от друг квалифициран персонал, се извършват под наблюдението на лицето, компетентно за използването на запалими хладилни агенти. За повече подробности, моля, вижте информацията относно обслужването в РЪКОВОДСТВОТО ЗА МОНТАЖ (Това се изисква, само ако уредът използва хладилен агент R32/R290)

Производителят си запазва правото да променя спецификациите на продукта, без да уведомява за това.

# 1. ПРОЧЕТЕТЕ ПРЕДИ РАБОТА

Установено е, че този продукт съответства на Директивата за ниско напрежение (2014/35/ЕО) и Директивата за електромагнитна съвместимост (2014/30/ЕО) на Европейския съюз.



## Правилно изхвърляне на този продукт (Отпадъци от електрическо и електронно оборудване)

(При използване на този климатик в държавите от Европейския съюз трябва да се спазват следните указания)

– Тази маркировка, посочена върху продукта или в неговата литература, показва, че отпадъците от електрическо и електронно оборудване (ОЕЕО съгласно Директива 2012/19/ЕС) не трябва да се смесват с общите битови отпадъци.

Забранява се изхвърлянето на този уред заедно с битови отпадъци.

Съществуват няколко възможности за изхвърляне на уреда:

1. Общината разполага със системи за сметосъбиране, чрез които електронните отпадъци могат да се изхвърлят от потребителите безплатно.
2. При закупуване на нов продукт търговецът на дребно ще вземе обратно стария Ви продукт безплатно.
3. Производителят ще приеме безплатно стария Ви уред и ще го изхвърли.
4. Тъй като старите продукти съдържат ценни материали, те могат да се продадат на дружества за изкупуване на скрап.

Неконтролируемото изхвърляне на отпадъци в горите и сред природата застрашава Вашето здраве, тъй като опасните вещества може да попаднат в подпочвените води и впоследствие – в хранителната верига.

- Символи, използвани в устройствата и ръководството:

	<b>ПРЕДУПРЕЖДЕНИЕ</b>	Този уред използва запалим хладилен агент. Ако хладилният агент е изтекъл и е изложен на външен източник на запалване, съществува опасност от пожар.
	<b>ВНИМАНИЕ</b>	Ръководството за експлоатация трябва да се прочете внимателно.
	<b>ВНИМАНИЕ</b>	Обслужващият персонал трябва да работи с това оборудване, позовавайки се на ръководството за монтаж.
	<b>ВНИМАНИЕ</b>	Налична информация има в ръководството за експлоатация и ръководството за монтаж.



**ВНИМАНИЕ**

- Движещите се части на уреда трябва да бъдат монтирани/поставени на височина не по-малко от 2,3 m от пода.
- **ЕЛЕКТРИЧЕСКАТА** работа може да се извършва само от упълномощен персонал и в съответствие с националните стандарти за окабеляване. Ако захранващият кабел е повреден, трябва да бъде заменен от производителя, негов сервизен представител или подобно квалифицирано лице, за да се избегне опасност.
- Обслужването трябва да се извършва само според препоръките на производителя на оборудването.
- Поддръжката и ремонтът, изискващи съдействие от друг квалифициран персонал, се извършват под наблюдението на лицето, компетентно за използването на запалими хладилни агенти.

# 1. ПРОЧЕТЕТЕ ПРЕДИ РАБОТА

## 1.1 ПРЕДПАЗНИ МЕРКИ

- Прочетете ръководството преди използването на уреда!
- Този уред може да се използва от деца над 8-годишна възраст, както и от лица с намалени физически, сетивни или умствени способности или с недостатъчно знания и опит, ако използването се извършва под наблюдение или ако те са получили указания за безопасната употреба на уреда и са осъзнали евентуалните опасности.
- Децата не трябва да си играят с уреда. Почистването и поддръжката от страна на потребителите не трябва да се извършват от деца без наблюдение.



### ПРЕДУПРЕЖДЕНИЕ

Този символ посочва възможността от получаване на травма или смърт.

- Монтирането на този уред винаги трябва да се извършва от лица с подходяща квалификация и опит.
- Свързването към ЕЛЕКТРИЧЕСКАТА мрежа може да се извършва само от упълномощен персонал и в съответствие с националните стандарти на електрическата мрежа. Ако охраняваният кабел е повреден, той трябва да се смени от производителя, от негов сервизен представител или от лице с подобна квалификация, за да се избегне евентуална опасност.
- Не използвайте удължител и не включвайте в един разклонител заедно с други уреди.
- Не правете опити за поддръжка, ремонт, преместване или модификация на климатика. Търсете професионална помощ – обръщайте се към упълномощен представител.  
Непълният ремонт или поддръжка може да доведат до теч на вода, електрически удар или пожар.
- Изключете уреда, ако усетите необичайна миризма, звук или вибриране. Свържете се с упълномощен представител.
- Не използвайте запалим газ или други възпламеними вещества като бензин, бензол, разреждател и т.н. в близост до климатика.  
Това може да доведе до пожар.
- Не използвайте нагревателни уреди в близост до климатика.  
Недостатъчната вентилация може да причини инциденти поради недостиг на кислород.
- Включването и изключването с мокри ръце може да доведе до токов удар.
- Продължителното излагане на въздушния поток от климатика може да доведе до схващане на мускулите и сухота в очите.  
Това може да повлияе върху физическото ви състояние и да причини здравословни проблеми.
- Не пипайте въздушния изход или пластината, когато уредът работи.  
Това може да причини травма.
- Не използвайте уреда в мокро помещение, като например баня или перално помещение.  
Това може да доведе до токов удар.
- Никога не пъхайте ръце, пръсти или други предмети във въздушния вход или изход.  
Това може да причини травма, тъй като вътрешният вентилатор се върти на високи обороти.
- Не поставяйте никакви предмети, особено съдържащи вода, като напр. вази, върху уреда.  
Това може да причини токов удар.
- Съхранявайте дистанционното управление извън досега на малки деца.  
Неспазването на тази препоръка може да доведе до поглъщане на батерии или други инциденти.
- Този уред е предназначен за употреба само в домашна среда.  
Уред за използване в домашна среда представлява уред за типично домашни функции, използван в домашна среда, който може да се използва от потребители без експертни познания, като например в магазини, офиси и друга подобна работна среда, големи къщи, хотели, мотели и друг вид среда за живеене.

# 1. ПРОЧЕТЕТЕ ПРЕДИ РАБОТА

## ! ВНИМАНИЕ

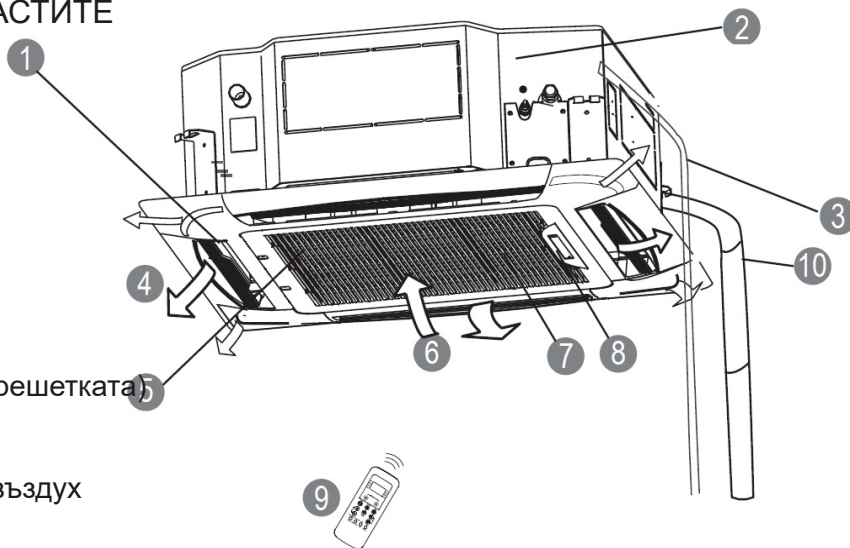
Този символ посочва възможността от материална повреда или сериозни последици.

- Уредът е предназначен САМО за осигуряване на удобство за хора.
- Не блокирайте входовете и изходите за въздух. Това ще доведе до влошена работа, по-високи разходи и по-кратък живот на уреда.
- Не управлявайте системата с главния изключвател на захранването.  
Това може да причини пожар или теч на вода.
- Не пипайте ребрата на топлообменника.  
Металните части може да имат остри ръбове, които причиняват нараняване.
- Изключете уреда от контакта, когато не се използва дълго време.
- Изключете от електрическата мрежа ПРЕДИ почистване или ремонтване.
- Никога не използвайте силни почистващи препарати, разтворители или абразивни материали върху уреда.
- Редовното правилно поддържане на вътрешното и външното тяло е изключително важно.  
За осъществяване на основно почистване, смазване и функционална проверка на всички критични компоненти е необходима ПОДДРЪЖКА от специалист. Свържете се с квалифициран сервизен персонал.

## 1.2 НАИМЕНОВАНИЕ НА ЧАСТИТЕ

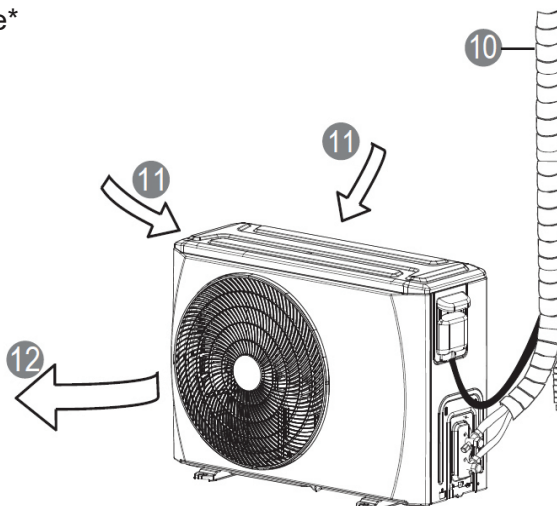
### ВЪТРЕШНО ТЯЛО

- 1 Пластина
- 2 Дренажна помпа
- 3 Дренажна тръба
- 4 Изход за въздух
- 5 Въздушен филтър (в решетката)
- 6 Вход за въздух
- 7 Решетка на входа за въздух
- 8 Дисплей
- 9 Дистанционно управление\*



### ВЪНШНО ТЯЛО

- 10 Свързваща тръба
- 11 Вход за въздух
- 12 Изход за въздух

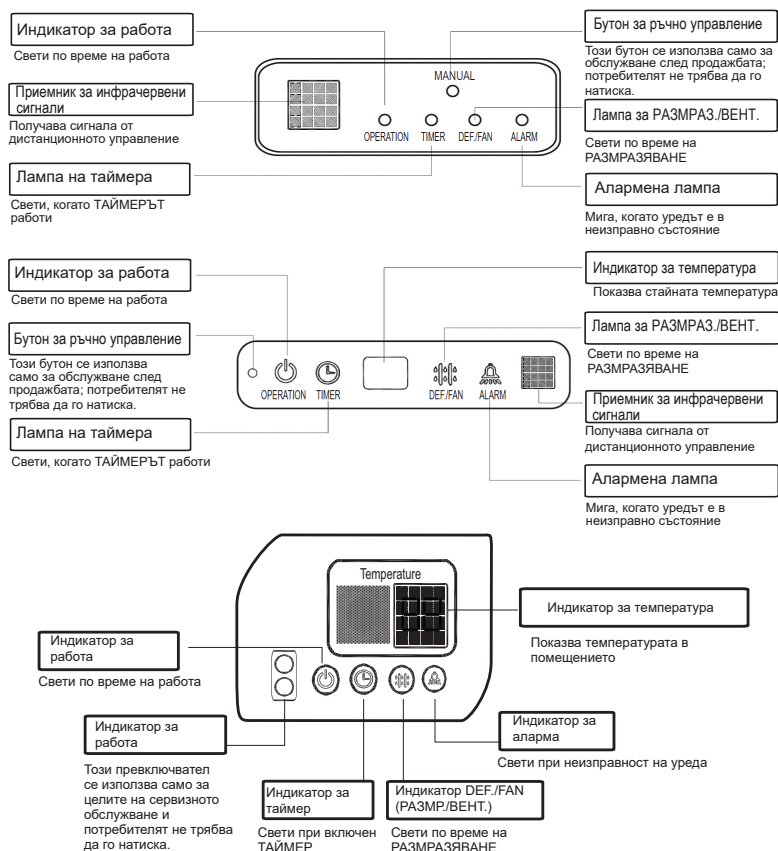


[\*] Дистанционно или проводниково управление: в зависимост от модела.

# 1. ПРОЧЕТЕТЕ ПРЕДИ РАБОТА

## ДИСПЛЕЙ

Индикатори за функциите върху дисплея на вътрешното тяло (в зависимост от модела)



## ЗАБЕЛЕЖКА

- Всички фигури в това ръководство служат само за обяснение. Възможно е те да се различават леко от закупения от вас климатик (в зависимост от модела). Формата е важна.
- В този комплект документация влиза ръководство за употреба на дистанционното (или проводниковото) управление.

## 2. ЕКСПЛОАТАЦИЯ

### 2.1 ЕКСПЛОАТАЦИОННИ УСЛОВИЯ

Експлоатационни условия		Отвътре	Отвън
Охлаждане	Допустима горна граница	32°C DB	46°C DB
	Допустима долна граница	18°C DB	-10°C DB
Отопление	Допустима горна граница	27°C DB	24°C DB
	Допустима долна граница	0°C DB	-15°C DB

Забележка: DB – по сухия термометър (англ. Dry Bulb)

- Оптималните работни характеристики се постигат в рамките на този диапазон на работна температура.
- Ако климатикът работи под или над тези температурни граници продължително време, при диагностиката на системата може да се установи неизправност и уредът няма да работи правилно.
- Относителна влажност в стаята – под 80%. Ако климатикът работи при влажност извън този диапазон, на повърхността му може да се образува конденз.
- ЗА ВЪНШНИ ТЕЛА С ДОПЪЛНИТЕЛЕН ЕЛЕКТРИЧЕСКИ НАГРЕВАТЕЛ: Когато външната температура е по-ниска от 0°C, препоръчваме да държите уреда включен постоянно, за да обезпечите безпроблемна работа.

## 2. ЕКСПЛОАТАЦИЯ

### 2.2 КАК РАБОТИ КЛИМАТИКЪТ

Основни режими на работа: **AUTO (Автоматичен) / COOL (Охлаждане) / DRY (Изсушаване) / HEAT (Отопление) / FAN (Вентилатор)**

#### Автоматичен режим (AUTO Mode)

- При тази настройка системата автоматично променя режимите на работа и оборотите на вентилатора съобразно избраната температура.
- [През пролетта и есента поддържането на избраната температура може да изисква смяна на режимите ОХЛАЖДАНЕ/ЗАТОПЛЯНЕ (COOL/HEAT).]

#### Режим DRY (изсушаване)

При този режим се дава предимство на изсушаването на въздуха. За постигане на това и за регулиране на температурата в стаята се използва ниска скорост на вентилатора и работа на компресора на ниски обороти.

#### Закъснение на компресора

Забавянето от 3–4 минути при включване предпазва компресора.

#### Защита от студен въздушен поток

За избягване на неприятни въздушни потоци при режим на отопление вътрешното тяло се затопля предварително, преди вентилаторът да се включи. Това забавяне трябва да трае само няколко минути.

#### Автоматично размразяване

В режим на отопление върху външното тяло се образува лед. За да се разтопи този лед, вентилаторът на вътрешното тяло спира за няколко минути, преди да продължи работата в режим на отопление.

#### Автоматично рестартиране\*

Уредът се рестартира автоматично след прекъсване на електрозахранването. Възстановяват се всички предишни настройки на потребителя.

#### Автоматично откриване на изтичане\*

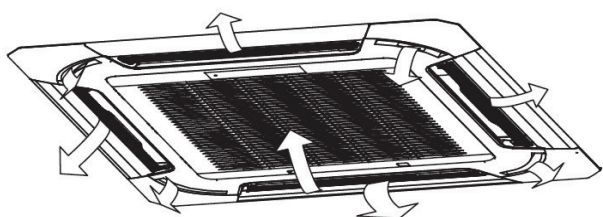
Когато се установи наличие на изтичане на охлаждащ агент, на дисплея ще се появи код EC или примигваща светлина.

#### Запаметяване на позицията на пластината\*

Ъгълът на пластината се запаметява и тя се връща в последно избраната от потребителя позиция.

#### Регулиране на посоката на въздушния поток

- Натиснете бутона за насочване на въздушната струя (AIR DIRECTION) на дистанционното управление и регулирайте посоката на въздушната струя. Позицията на пластината се променя леко при всяко натискане на бутона.
- Натиснете бутона за въртене (SWING), за да зададете непрекъснато движение на пластината.



[\*] В зависимост от модела

#### ЗАБЕЛЕЖКА

- Вижте РЪКОВОДСТВОТО ЗА ДИСТАНЦИОННОТО УПРАВЛЕНИЕ за допълнителни подробности.
- В режим на охлаждане или изсушаване може да се образува конденз, който да прокапе от уреда, ако влажността е висока и позицията на пластината е максимално надолу.
- Не използвайте уреда при затворена или леко отворена пластина. Ограниченият въздушен поток намалява ефективността на работата на уреда и може да доведе до образуване на конденз.

#### ⚠ ВНИМАНИЕ

Не се опитвайте да регулирате пластината ръчно.

### 2.3 СЪВЕТИ ЗА ИКОНОМИЧНА РАБОТА

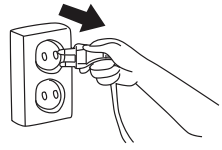
- Регулирайте температурата за постигане на умерен комфорт. Прекомерно ниските или високи температури водят до загуба на енергия.
- Подобрете работата на климатика, като държите прозорците и вратите затворени.
- Ограничете използваната енергия [време на работа], като използвате функцията на ТАЙМЕРА.
- Не блокирайте входовете и изходите за въздух. Това ще доведе до влошена работа, по-високи разходи и по-кратък живот на уреда.
- Проверявайте периодично въздушните филтри и ги почиствайте, когато е необходимо.
- Изключете от електрическата мрежа, ако уредът няма да се използва продължително време.



# 3. ГРИЖИ И ПОДДРЪЖКА

## ⚠ ВНИМАНИЕ

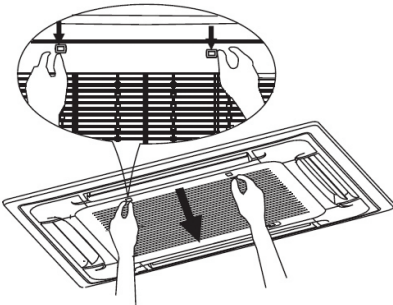
- **ИЗКЛЮЧВАЙТЕ** от електрическата мрежа **ПРЕДИ** да се опитате да почистите или обслужите!
- За почистване на решетката, корпуса и дистанционното управление използвайте мека влажна кърпа.
- Винаги се обръщайте към квалифициран сервизен персонал за извършване на ремонт или друго техническо обслужване, което не се извършва от потребителя, като например основно почистване, смазване и функционална проверка на критичните компоненти.



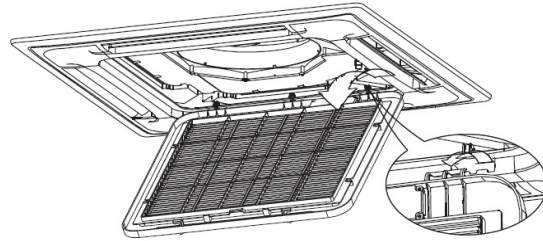
### ■ Почистване на въздушния филтър

Обръщайте се към квалифициран сервизен персонал за сервизно обслужване, което включва демонтирането на капаци. За да се поддържа добрата работа, редовно проверявайте въздушните филтри и ги почиствайте при необходимост.

– Натиснете двата ключа на решетката едновременно, за да я отворите.

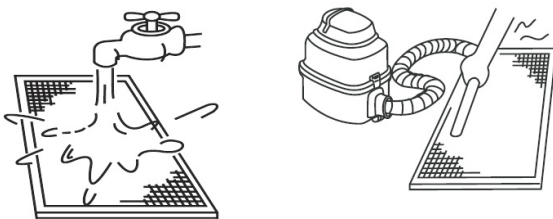


– Разкачете свързващия проводник между кутията за управление и платката на дисплея. След това свалете решетката и извадете филтъра.



– Почистете въздушния филтър

За почистването на филтъра за въздух можете да използвате прахосмукачка или чиста вода. Ако акумулираният прах е твърде много, използвайте мека четка и мек измиващ препарат, за да го почистите и изсушите на хладно място. Монтирайте отново въздушния филтър и решетката в ред, обратен на описания по-горе.



### ЗАБЕЛЕЖКА:

Когато използвате прахосмукачка, страната, от която влиза въздухът, трябва да е обърната нагоре.

Когато използвате вода, страната, от която влиза въздухът, трябва да е обърната надолу.

- Подготовка за съхранение [дълги процеси, през които климатикът не се използва]

1. Почистете въздушните филтри
2. При влажни климатични условия включете само в режим на вентилатор, докато изсушите уреда.
3. Изключете климатика от дистанционното управление и махнете батериите.
4. Изключете от електрическата мрежа.

- Повторно използване след период на съхранение

1. Проверете дали нещо не блокира входа и изхода за въздух.
2. Почистете въздушните филтри
3. Проверете кабелите за повреда и правилното заземяване.
4. Включете отново в електрическата мрежа
5. Когато околната температура е ниска, изчакайте 24 часа.
6. Поставете отново батериите на дистанционното управление и включете уреда.

## 4. ОТСТРАНЯВАНЕ НА НЕИЗПРАВНОСТИ

- Преди да се обадите за сервизно обслужване, извършете следните проверки.

ПРОБЛЕМ	МОЛЯ, ПЪРВО ПРОВЕРЕТЕ!
Уредът не работи въобще	• Прекъснато ли е електрозахранването?
	• Изключен ли е някой ключ, прекъсвач или е изгорял предпазител?
	• Нови ли са батериите на дистанционното управление?
	• Правилно ли са настроени часовникът и таймерът на дистанционното управление?
Лошо охлаждане или отопление	• Правилни ли са настройките на температурата и режима на работа?
	• Чисти ли са въздушните филтри?
	• Затворени ли са прозорците и вратите?
	• Осигурено ли е свободно движение на въздушния поток навътре и навън от вътрешното и външното тяло?
	• Настроен ли е вентилаторът на високи обороти и позволяват ли пластините преминаване на максимален въздушен поток?

- Насоки, полезни съвети и предпазни мерки

При нормална работа може да се появят следните проблеми, което може да не е свързано с неизправност.

Състояние	Обяснение
Охлаждането или отоплението се забавят.	3-минутното забавяне защитава компресора.
Скоростта на вентилатора се променя – спира, работи много бавно и след това нормално	Случва се автоматично в режим на отопление – предотвратява навлизането на студен въздух в помещението с хора.
Работата в режим на отопление спира внезапно и индикаторът за размразяване примигва.	В ход е отстраняване на леда от външното тяло (5–10 минути).
От вътрешното тяло излиза мъгла	Може да се случи, когато температурата на уреда е ниска, а въздухът в стаята е горещ и влажен.
Климатикът издава тихи звуци	„Свистене“: нормално – изравнява се газовото налягане, когато компресорът се изключва или включва.
	„Скърцане“: нормално разширяване и свиване на пластмасовите и металните части.
	Завихряне на въздуха – нормално, когато пластината променя позицията си.
От уреда излиза прах.	Може да се появи, когато климатикът се включва за първи път или когато не е бил използван дълго време.
От уреда се излъчва странна миризма.	Обикновено се причинява от химикали, цигарен дим, готвене и т.н. Ако причината не е такава, се обадете на сервизния техник.
Преминава в режим на вентилатор само по време на охлаждане или отопление.	Температурата в стаята е същата като избраната с дистанционното управление. Ако случаят не е такъв, обадете се на сервизния техник.
Влошена работа в режим на отопление	Може да се появи, когато външната температура е близо до или под нула градуса по Целзий.
Включва се автоматично	Нормално, когато се възстанови електрозахранването след прекъсване.
Работи по непостоянен и непредсказуем начин или не работи.	Въздействието на антени на мобилни оператори или дистанционни усилватели може да предизвика неизправност на уреда.
	Изключете захранването и включете отново.
	За да рестартирате работата, натиснете бутона ON/OFF (Вкл./Изкл.) на дистанционното управление.
	Ако проблемът не се разреши, обадете се на сервизния техник.

## 4. ОТСТРАНЯВАНЕ НА НЕИЗПРАВНОСТИ

### ■ Свържете се с упълномощен представител

При ВСЕКИ от следните случаи изключете климатика незабавно!

– Захранващият кабел е повреден или необичайно топъл.

– Усеща се миризма на изгоряло.

– Чуват се силни или необичайни звуци.

– Често изгаря предпазител или прекъсвачът изключва.

– В или от уреда тече вода или падат предмети.

– Индикаторите примигват непрекъснато.

– Показва се код за самодиагностика, напр. E0, E1, E2 ... или P0, P1, P2... и т.н.

- Запишете номера на модела на продукта;
- Свържете се с подходящ представител;
- Обяснете всички подробности, които сте забелязали!



### ВНИМАНИЕ

**НЕ СЕ ОПИТВАЙТЕ ДА ОТСТРАНЯВАТЕ ТЕЗИ НЕИЗПРАВНОСТИ САМИ!  
СВЪРЖЕТЕ СЕ С КВАЛИФИЦИРАН СЕРВИЗЕН ПЕРСОНАЛ!**



### ВНИМАНИЕ

- Мултисистемният климатик не може да бъде едновременно в два различни работни режима, като например в едното тяло да е в режим „COOL“ (охлаждане), а другото в режим „HEAT“ (отопление).

Когато операциите са различни, режим „HEAT“ (отопление) получава приоритет. Вътрешното тяло, което работи в режим „COOL“ (охлаждане) или режим „FAN“ (вентилатор), ще спре и на дисплея ще се изпише „P5“.

# SADRŽAJ

1. PROČITAJTE PRIJE RUKOVANJA .....	2
1.1 Mjere predostrožnosti .....	3
1.2 Nazivi dijelova .....	4
2. RAD UREĐAJA .....	5
2.1 Radni uvjeti .....	5
2.2 Način rada .....	6
2.3 Napomene za ekonomičan rad .....	6
3. NJEGA I ODRŽAVANJE .....	7
4. UKLANJANJE PROBLEMA .....	8

Unutrašnja jedinica	Vanjska jedinica	Nazivni naponi i frekvencije
42QTD009DS*	38QUS009DS*	
42QTD012DS*	38QUS012DS*	
42QTD018DS*	38QUS018DS*	
42QTD018D8S*	38QUS018R8S*	
42QTD018R8S*	38QUS018R8S*	
42QTD024R8S*	38QUS024R8S*	
42QTD024DS*	38QUS024DS*	220-240V~ 50Hz
42QTD030DS*	38QUS030DS*	
42QTD036DS*	38QUS036DS*	
42QTD036R8S*	38QUS036R8S*	
42QTD048DS*	38QUS048DS*	
42QTD036DS*	38QUS036DT*	
42QTD036R8S*	38QUS036R8T*	
42QTD048DS*	38QUS048DT*	
42QTD048R8S*	38QUS048R8T*	IDU: 220-240 V~ 50 Hz ODU: 380-415 V 3N~ 50 Hz
42QTD060DS*	38QUS060DT*	
42QTD060R8S*	38QUS060R8T*	



**Oprez: Rizik od požara samo za rashladno sredstvo R32/R290**

## **UPOZORENJE!**

Servisiranje je potrebno obaviti samo po preporuci proizvođača opreme. Održavanje i popravke koje zahtijevaju pomoć drugačijeg stručnog kadra vrše se pod nadzorom lica nadležnih za upotrebu zapaljivih sredstava za hlađenje. Za više detalja, pogledajte informacije o servisiranju u PRIRUČNIKU ZA INSTALACIJU. (Ovo je potrebno samo za uređaj za koji se koristi R32/R290 rashladno sredstvo)

Proizvođač pridržava pravo da bez prethodnog obavještenja promijeni bilo koju specifikaciju proizvoda.

# 1. PROČITAJTE PRIJE RUKOVANJA

Utvrđeno je da je ovaj proizvod usklađen s Direktivom o niskonaponskim uređajima (2014/35/EZ), i Direktivom o elektromagnetskoj kompatibilnosti (2014/30/EZ) Evropske unije.



## Pravilno odlaganje ovog proizvoda (Elektronski i elektronički otpad)

(Kada se ovaj klima uređaj koristi u evropskim zemljama, potrebno je pridržavati se smjernica u nastavku.)

- Ova oznaka prikazana na proizvodu ili njegovoj literaturi, navodi da električna i elektronska oprema (WEEE kao u Direktivi 2012/19/EU), ne smije se miješati s opštim kućnim otpadom. Zabranjeno je odlagati ovaj uređaj s kućnim otpadom. Postoji nekoliko mogućnosti za odlaganje:
    1. Općina je ustanovila punktove za prikupljanje na kojima je moguće odložiti elektronski otpad u najboljem slučaju besplatno za korisnika.
    2. Prilikom kupovine novog proizvoda prodavač će u najboljem slučaju preuzeti stari proizvod besplatno.
    3. Proizvođač će preuzeti stari uređaj da bi ga odložio, a u najboljem slučaju besplatno za korisnika.
    4. Pošto stari proizvodi sadrže vrijedne resurse, mogu se prodati trgovcima starim željezom.
- Divlje odlaganje otpada u šumama i krajolicima ugrožava vaše zdravlje kada opasne materije isure u podzemne vode i prodru u lanac ishrane.

- Simboli koji se koriste na jedinicama i priručniku:

	<b>UPOZORENJE</b>	Ovaj uređaj je koristio zapaljivo rashladno sredstvo. Ako je rashladno sredstvo iscurilo i bilo izloženo spoljašnjem izvoru paljenja, postoji rizik od požara.
	<b>OPREZ</b>	Priručnik o radu treba pažljivo pročitati.
	<b>OPREZ</b>	Servisno osoblje treba rukovati ovom opremom u skladu s uputstvom za instalaciju.
	<b>OPREZ</b>	Dostupne su informacije, kao što je uputstvo za upotrebu ili uputstvo za instalaciju.

**OPREZ**

- Pokretni dijelovi uređaja moraju biti instalirani / postavljeni na nivou ne manjem od 2,3 m od poda.
- ELEKTRIČNE radove može vršiti samo ovlašteno osoblje i u skladu s nacionalnim standardima ožičenja. Ako je strujni kabl oštećen, mora ga zamijeniti proizvođač, njegov serviser ili slično kvalifikovane osobe kako bi se izbjegla bilo kakva opasnost.
- Servisiranje je potrebno obaviti samo po preporuci proizvođača opreme.
- Održavanje i popravke koje zahtjevaju pomoć drugačijeg stručnog kadra vrše se pod nadzorom lica nadležnih za upotrebu zapaljivih sredstava za hlađenje.

# 1. PROČITAJTE PRIJE RUKOVANJA

## 1.1 SIGURNOSNE MJERE

- Prije upotrebe proizvoda pročitajte ovaj priručnik!
- Ovaj uređaj mogu upotrebljavati djeca od 8 i više godina, kao i osobe sa smanjenim fizičkim, senzornim ili mentalnim sposobnostima ili nedostatkom iskustva i znanja, ukoliko su pod nadzorom, upućeni su u sigurnu upotrebu uređaja i ukoliko razumiju povezane opasnosti.
- Djeca se ne smiju igrati s uređajem. Čišćenje i korisničko održavanje ne smiju izvoditi djeca bez nadzora.



### UPOZORENJE

Ovaj simbol ukazuje na mogućnost fizičke ozljede ili gubitka života.

- **Ovaj proizvod smiju instalirati samo odgovarajuće obučene i iskusne osobe.**
- **ELEKTRIČARSKE radove smije obavljati samo ovlašteno osoblje i u skladu s nacionalnim standardima za električne instalacije. Ukoliko je kabl za napajanje strujom oštećen, mora ga zamijeniti proizvođač, serviser ili osoba sličnih kvalifikacija, kako bi se izbjegle opasnosti.**
- **Nemojte upotrebljavati produžni kabl ni priključivati uređaj na istu utičnicu na koju su priključeni drugi uređaji.**
- **Ne pokušavajte vršiti radnje održavanja, popravljati, pomjerati ili vršiti izmjene nad klima uređajem. Tražite profesionalnu pomoć - kontaktirajte autoriziranog prodavača.**  
Nepotpuna popravka ili održavanje mogu prouzrokovati curenje vode, električni udar ili vatru.
- **Isključite jedinicu ako primijetite neobične mirise, zvukove ili vibracije. Obratite se ovlaštenom distributeru.**
- **U klimatiziranom prostoru ne upotrebljavajte zapaljive gasove ni zapaljive materijale, kao što su benzin, benzen, razrjeđivač itd.**  
To može dovesti do požara.
- **Ne upotrebljavajte grijalicu u klimatiziranom prostoru.**  
Nedovoljna ventilacija može prouzročiti nesreće zbog nedostatka kisika.
- **Rukovanje mokrim rukama može izazvati strujni udar.**
- **Dugotrajna izloženost propuhu može dovesti do mišićnih tegoba i suhoće očiju.**  
Ovo može utjecati na vaše fizičko stanje i prouzrokovati zdravstvene probleme.
- **Ne dodirujte otvor za izlazak zraka ili klapnu dok je jedinica u radu.**  
To može uzrokovati ozljede.
- **Ne rukujte jedinicom u vlažnoj prostoriji, kao što je kupaonica ili prostorija za pranje rublja.**  
To može prouzrokovati električni udar.
- **Nikad ne stavljajte ruke, prste ili druge predmete u otvore za ulazak ili izlazak zraka.**  
Ovo može prouzrokovati povrede jer se unutrašnji ventilator okreće velikom brzinom.
- **Ne stavljajte na jedinicu nikakve predmete, a osobito stvari koje sadrže vodu, kao što su vaze.**  
Ovo može prouzrokovati električni udar.
- **Čuvajte daljinski upravljač van dohvata novorođenčadi.**  
Nepridržavanje ove upute može dovesti do gutanja baterija ili drugih nesreća.
- **Ovaj uređaj je namijenjen samo za upotrebu u domaćinstvu.**  
Uređaj za upotrebu u domaćinstvu je uređaj za tipične funkcije održavanja kućanstva korišten u domaćinstvu koji također mogu koristiti nestručni korisnici kao što su prodavnice, uredi ili slična radna okruženja, farme, hoteli, moteli i druga stambena okruženja.

# 1. PROČITAJTE PRIJE RUKOVANJA



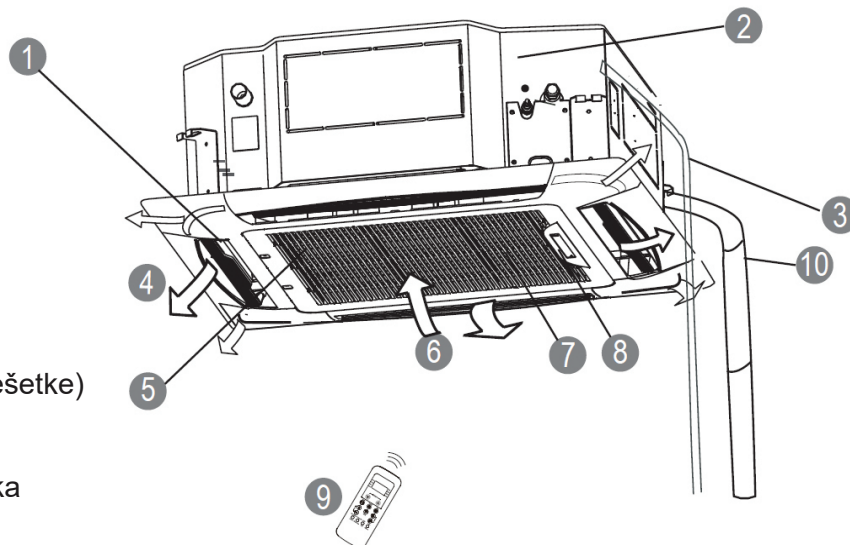
Ovaj simbol ukazuje na mogućnost štete na imovini ili ozbiljne posljedice.

- Ovaj proizvod je namijenjen SAMO za komfor.
- Nemojte blokirati otvore za ulaz i izlaz zraka. U protivnom može doći do povećanja pogonskih troškova i smanjenog životnog vijeka proizvoda.
- Ne upravljajte sistemom putem glavnog prekidača za uključivanje.  
To može prouzrokovati požar ili curenje vode.
- Nemojte dodirivati krila na ventilatoru za razmjenu toplote.  
Metalni dijelovi mogu imati oštre ivice koje nanose ozlijede.
- Isključite napajanje električnom energijom jedinice u slučaju da nije bila korištena duže vrijeme.
- Isključite PRIJE čišćenja ili servisiranja.
- Nikada ne primjenjujte na proizvodu jake deterdžente, otapala ili abrazivna sredstva za poliranje.
- Temeljito redovno održavanje unutrašnje i vanjske jedinice je neophodno.  
Stručno ODRŽAVANJE je potrebno da bi se izvelo temeljno čišćenje, podmazivanje i provjera funkcija svih kritičnih komponenti. Kontaktirajte kvalificirano servisno osoblje.

## 1.2 IMENA DIJELOVA

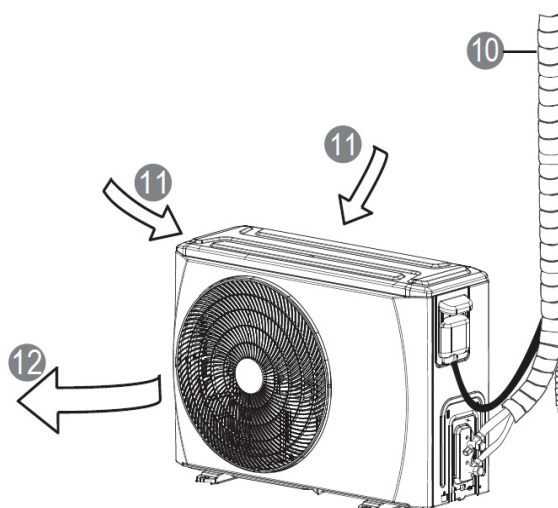
### UNUTRAŠNJA JEDINICA

- ① Klapna
- ② Pumpa za drenažu
- ③ Cijev za odvod
- ④ Otvor za izlazak zraka
- ⑤ Filter za zrak (unutar rešetke)
- ⑥ Otvor za ulazak zraka
- ⑦ Rešetka za ulazak zraka
- ⑧ Displej
- ⑨ Daljinski upravljač\*



### VANJSKA JEDINICA

- ⑩ Spojna cijev
- ⑪ Otvor za ulazak zraka
- ⑫ Otvor za izlazak zraka

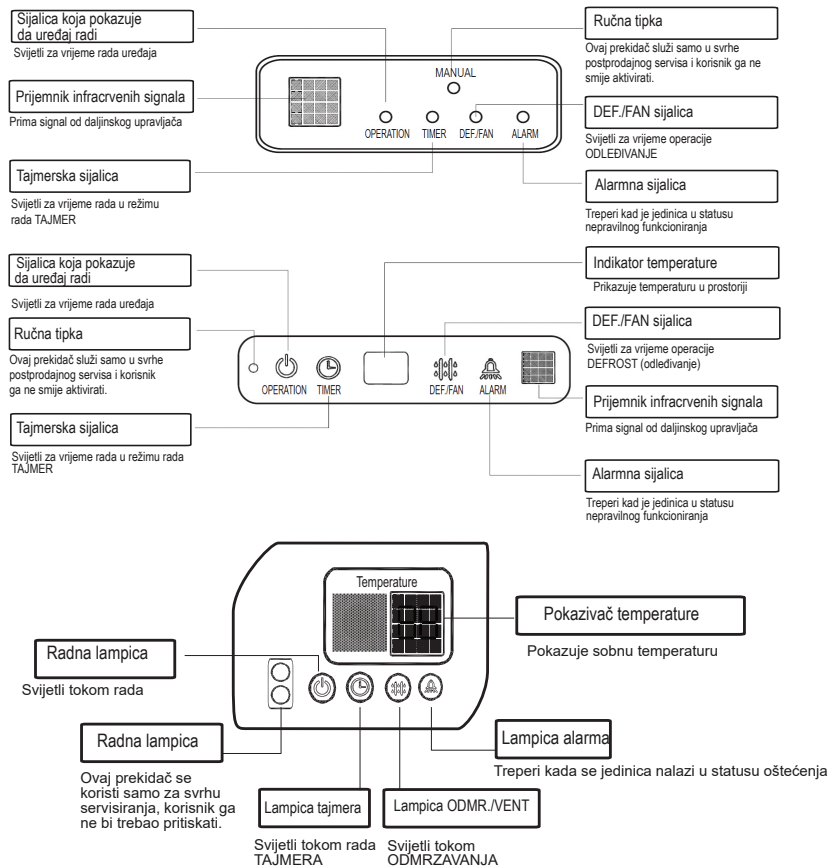


[\*] Daljinski upravljač ili upravljač s kablom: zavisno od modela.

# 1. PROČITAJTE PRIJE RUKOVANJA

## DISPLEJ

Indikatori funkcija na panelu za prikazivanje unutrašnje jedinice (u zavisnosti od modela)



## NAPOMENA

- Sve slike u ovom priručniku služe samo u opisne svrhe. Mogu se malo razlikovati od klima uređaja koji ste kupili (zavisno od modela). Stvarni oblik je mjerodavan.
- Vodič o upotrebi daljinskog upravljača (ili upravljača s kablom) se nalazi u sastavu ovog priručnika.

## 2. RAD UREĐAJA

### 2.1 RADNI UVJETI

Radni uvjeti		Unutra	Vani
Postupak hlađenja	Gornja granica	32 °C DB	46 °C DB
	Donja granica	18 °C DB	-10 °C DB
Postupak zagrijavanja	Gornja granica	27 °C DB	24 °C DB
	Donja granica	0 °C DB	-15 °C DB

Napomena: DB – temperatura suhog termometra

- Optimalna temperatura će biti postignuta unutar tih vrijednosti radne temperature.
- Ako jedinica radi duže vrijeme u uvjetima viših ili nižih vrijednosti od navedenih, sistemska dijagnostika može otkriti kvar i jedinica neće ispravno raditi.
- Relativna vlažnost prostorije – manje od 80%. Ako klima uređaj radi izvan tog raspona, može doći do kondenzacije vlage na njegovoj površini.
- ZA SPOLJNE JEDINICE S POMOĆNIM ELEKTRIČNIM GRIJAČIMA: Kada je spoljna temperatura ispod 0 °C, preporučujemo da uređaj bude uključen sve vrijeme kako bi se obezbjedila neprekidna produktivnost.



## 2. RAD UREĐAJA

### 2.2 NAČIN RADA

Osnovni režimi rada: **AUTO/ HLADNO/ SUHO/ GRIJANJE\* / VENTILATOR**

#### Režim rada AUTO

- U ovoj postavci sistem će automatski promijeniti režime rada i brzinu ventilatora na zadanu temperaturu.
- [U proljeće i ljeto, za tačniju kontrolu temperature možda ćete trebati izvršiti promjene u režimu rada COOL/HEAT.]

#### Režim rada DRY (sušenje)

U ovom režimu rada prioritet se daje uklanjanju vlage iz zraka. U tu svrhu i da bi se regulirala sobna temperatura, upotrebljava se niska brzina okretanja ventilatora i manji broj radnih ciklusa kompresora.

#### Odgoda aktiviranja kompresora

Prilikom pokretanja dolazi do vremenske odgode aktiviranja kompresora u trajanju od 3 do 4 minute, što štiti kompresor.

#### Sprječavanje strujanja hladnog zraka

Da bi se izbjegla neugodna promaja kada je uređaj u režimu rada zagrijavanja, unutrašnja jedinica se unaprijed zagrijava prije uključivanja ventilatora. To kašnjenje treba potrajati samo nekoliko minuta.

#### Automatsko odleđivanje

Kada se nalazi u režimu rada zagrijavanja, na vanjskoj jedinici se stvara led. Da bi se led odmrznuo, unutrašnji ventilator prestaje s radom na nekoliko minuta prije nastavka zagrijavanja.

#### Auto Restart\*

Jedinica će se automatski ponovo pokrenuti nakon prekida napajanja električnom energijom. Sve prethodne korisničke postavke će biti vraćene.

#### Automatsko otkrivanje curenja\*

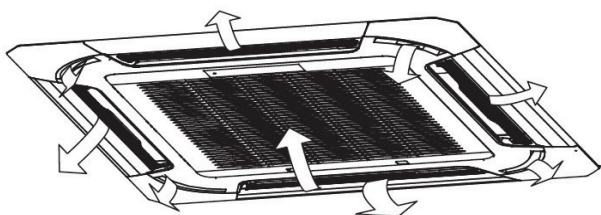
Kad se otkrije curenje sredstva za hlađenje, jedinica će pokazati kod "EC" ili će LED diode treperiti

#### Memorija klapne\*

Ugao klapne biva pohranjen i vratiće se na poziciju koju je korisnik zadnju izabrao.

#### Prilagođavanje smjera toka zraka

- Pritisnite „SMJER ZRAKA” na daljinskom upravljaču da biste podesili smjer toka zraka. Svakim pritiskom na tipku položaj klapne se malo mijenja.
- Pritisnite „LJULJANJE” da biste aktivirali neprekidno kretanje klapne.



[\*] Zavisno od modela

#### NAPOMENA

- Detalje možete pronaći u PRIRUČNIKU ZA DALJINSKI UPRAVLJAČ.
- U režimu rada hlađenje ili sušenje se pri visokoj vlazi može stvoriti kondenzat i može kapati s jedinice ako se klapna nalazi na najnižoj mogućoj poziciji.
- Ne rukujte jedinicom dok je klapna zatvorena ili samo malo otvorena. Ograničen protok zraka smanjuje efikasnost i može izazvati stvaranje kondenzata.

#### ! OPREZ

Ne pokušavajte ručno podešavati klapnu.

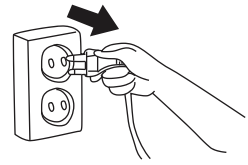
### 2.3 NAPOMENE ZA EKONOMIČAN RAD

- Podesite temperaturu da biste postigli umjerene nivoe udobnosti. Zagrijavanjem/hlađenjem na previsoke/preniske temperature troši se previše energije.
- Poboljšajte efektivnost držeći prozore i vrata zatvorenim.
- Ograničite korištenje energije [vrijeme izvršavanja] pomoću funkcije TAJMER.
- Nemojte blokirati otvore za ulaz i izlaz zraka. U protivnom može doći do povećanja pogonskih troškova i smanjenog životnog vijeka proizvoda.
- Periodično pregledajte filtere za zrak i očistite ih po potrebi.
- Otkaçite kabl za napajanje električnom energijom ako jedinica neće biti korištena duže vrijeme.

# 3. ZAŠTITA I ODRŽAVANJE

## OPREZ

- OTKAČITE kabl za napajanje električnom energijom PRIJE nego pokušate da čistite jedinicu ili vršite servis!
- Koristite meku vlažnu krpnu kad čistite rešetku, kućište i daljinski upravljač.
- Uvijek kontaktirajte kvalificirano servisno osoblje u svrhu popravaka ili bilo kakvih nekorisničkih servisnih radnji, kao što je temeljno čišćenje, podmazivanje i provjera funkcija kritičnih komponenti.

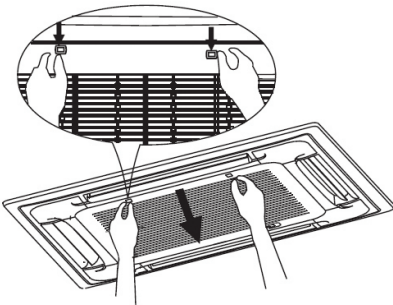


### ■ Čišćenje filtera zraka

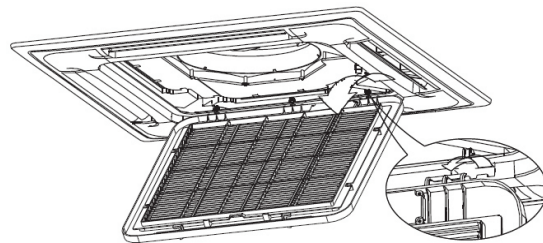
Kontaktirajte kvalificirano servisno osoblje u svrhu obavljanja servisnih radnji koje uključuju uklanjanje poklopaca.

U svrhu održavanja dobrih performanci redovno provjeravajte filtere zraka i čistite ih po potrebi.

- Istovremeno pritisnite oba jezička rešetke da biste je otvorili.

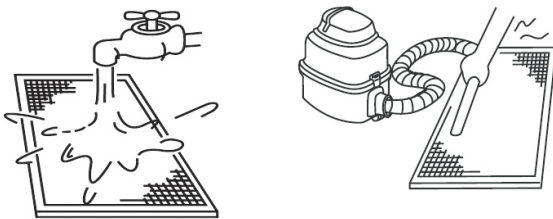


- Otkočite spojni kabl između kontrolne kutije i displej ploče. Potom uklonite rešetku i izvadite filter.



- Očistite filter za zrak

Filter zraka se može čistiti usisivačem ili čistom vodom. Ako je nakupljeno previše prašine, očistite filter mekom četkom i blagim deterdžentom i osušite ga na hladnom mjestu. Vratite filter za zrak i rešetku za ulazak zraka u uređaj u obrnutom redoslijedu od naprijed navedenog.



#### NAPOMENA:

Kad upotrebljavate usisivač, strana filtera preko koje ulazi zrak treba biti okrenuta prema gore.

Kad upotrebljavate vodu, strana filtera preko koje ulazi zrak treba biti okrenuta prema dole.

### ■ Pripremanje za skladištenje [duga razdoblja bez upotrebe]

1. Očistite filtere za zrak
2. U zonama sa vlažnom ili mokrom klimom, koristite režim rada Samo ventilator (Fan only) sve dok se jedinica ne osuši.
3. Isključite klima uređaj daljinskim upravljačem i izvadite baterije.
4. Izvadite kabl za napajanje električnom energijom iz utičnice.

### ■ Ponovna upotreba nakon skladištenja

1. Provjerite da li išta blokira otvore za ulazak i izlazak zraka.
2. Očistite filtere za zrak
3. Provjerite da li su kablovi oštećeni ili pravilno uzemljeni.
4. Ponovo spojite uređaj s izvorom električne energije.
5. Ako je temperatura okoline niska pričekajte 24 sata.
6. Vratite baterije u daljinski upravljač i ponovo uključite jedinicu.

## 4. SAVJETI ZA RJEŠAVANJE PROBLEMA

### ■ Izvršite sljedeću provjeru prije pozivanja servisa

VAŽNO	PRVO PROVJERITE!
Jedinica uopće ne radi	• Da li je došlo do prekida napajanja električnom energijom?
	• Da li je prekidač isključen, automatska sklopka slučajno aktivirana ili je pregorio osigurač?
	• Da li su baterije u daljinskom upravljaču nove?
	• Da li su sat i tajmer na daljinskom upravljaču ispravno postavljeni?
Loše hlađenje ili zagrijavanje	• Da li su postavke temperature i režima rada ispravne?
	• Da li su filteri zraka čisti?
	• Da li su prozori i vrata zatvoreni?
	• Da li postoji neometan protok zraka u i iz unutrašnje i vanjske jedinice?
	• Da li je postavljena visoka brzina ventilatora i da li otvori za zrak omogućavaju maksimalan protok?

### ■ Vodiči, savjeti i upozorenja

Sljedeće situacije se mogu desiti tokom normalnog rada i ne moraju značiti kvar.

Slučaj	Objašnjenje
Hlađenje ili zagrijavanje kasni.	Kašnjenje od 3 minute štiti kompresor.
Mijenja se brzina ventilatora – isključuje se, radi veoma sporo, a zatim normalno.	To se automatski dešava u režimu rada zagrijavanja – sprječava ispuhivanje hladnog zraka na stanare.
Postupak zagrijavanja se iznenada prekida i žaruljica odmrzavanja treperi.	Uklanjanje mraza na vanjskoj jedinici je u toku (5 - 10 min.)
Iz unutrašnje jedinice izlazi maglica.	Može se desiti kada je temperatura jedinice niska, a zrak u prostoriji je vruć i vlažan.
Klima uređaj emitira zvukove slabe jačine.	“Zviždanje/pištanje”: normalno – pritisak gasa se izjednačava kad kompresor prestaje ili počinje raditi.
	“Škripanje”: normalno širenje i skupljanje plastičnih i metalnih dijelova.
	Šum pri strujanju zraka – normalno kad ventilacijska klapna mijenja položaj.
Iz jedinice izlazi prašina.	Može se desiti kod prvog korištenja ili nakon dužeg nekorištenja klima uređaja.
Ispuštanje čudnog mirisa.	To je obično izazvano hemikalijama, dimom cigareta, kuhanjem itd. Ako se ne radi o tome, pozovite odgovarajućeg servisera.
Prelazak u režim rada „samo ventiliranje“ tokom hlađenja ili zagrijavanja.	Sobna temperatura je ista kao ona koja je odabrana daljinskim. Ako se ne radi o tome, pozovite odgovarajućeg majstora.
Slabo zagrijavanje	Može se dogoditi kada je vanjska temperatura blizu ili ispod nula stepeni Celzijusa.
Automatsko isključivanje	Normalno prilikom vraćanja električne energije nakon prekida električnog napajanja.
Uređaj radi čudno, nepredvidivo ili ne reagira.	Smetnje iz tornjeva za mobilne mreže ili pojačivača signala mogu izazvati neispravan rad jedinice.
	Isključite iz struje i ponovo uključite.
	Pritisnite tipku UKLJ./ISKLJ. na daljinskom upravljaču za ponovno pokretanje.
	Ako se problem time ne riješi, pozovite odgovarajućeg majstora.

## 4. SAVJETI ZA RJEŠAVANJE PROBLEMA

### ■ Obratite se svom prodavaču

U slučaju da se desi **BILO ŠTA** od sljedećeg, odmah isključite jedinicu!

- Strujni kabl je oštećen ili nenormalno topao.
- Osjeća se miris paljevine
- Čuju se glasni ili nenormalni zvukovi.
- Osigurač često pregorijeva ili automatska sklopka iskače.
- U jedinicu je ušla ili iz nje izlazi voda ili druge materije.
- Indikatori kontinuirano trepere.
- Prikazan je samodijagnostički kod, npr. E0, E1, E2 ... ili P0, P1, P2... itd.

- Zabilježite broj modela proizvoda,
- Obratite se odgovarajućem majstoru,
- Recite mu sve uočene probleme!



### OPREZ

**NEMOJTE SAMI POKUŠAVATI RIJEŠITI TE PROBLEME!  
KONTAKTIRAJTE KVALIFICIRANO SERVISNO OSOBLJE!**



### OPREZ

- Multisistemski klima uređaj ne može se istovremeno nalaziti u različitim režimima rada, kao npr. da je jedna jedinica u režimu rada „COOL” (hlađenje), a druga u režimu rada „HEAT” (grijanje). U slučaju pokretanja više operacija režim rada „HEAT” imat će prioritet. Unutrašnja jedinica koja se nalazi u režimu rada „COOL” (hlađenje) ili „FAN” (ventiliranje) prestat će s radom i displej će prikazati oznaku „P5”.

# OBSAH

1. PŘEČTĚTE SI PŘED SPUŠTĚNÍM .....	2
1.1 Bezpečnostní opatření .....	3
1.2 Názvy částí .....	4
2. PROVOZ .....	5
2.1 Provozní podmínky .....	5
2.2 Popis činnosti .....	6
2.3 Tipy pro úsporný provoz .....	6
3. PÉČE A ÚDRŽBA .....	7
4. ŘEŠENÍ PROBLÉMŮ .....	8

Vnitřní jednotka	Venkovní jednotka	Jmenovité napětí a frekvence
42QTD009DS*	38QUS009DS*	220-240V~ 50Hz
42QTD012DS*	38QUS012DS*	
42QTD018DS*	38QUS018DS*	
42QTD018D8S*	38QUS018R8S*	
42QTD018R8S*	38QUS018R8S*	
42QTD024R8S*	38QUS024R8S*	
42QTD024DS*	38QUS024DS*	
42QTD030DS*	38QUS030DS*	
42QTD036DS*	38QUS036DS*	
42QTD036R8S*	38QUS036R8S*	
42QTD048DS*	38QUS048DS*	
42QTD036DS*	38QUS036DT*	
42QTD036R8S*	38QUS036R8T*	
42QTD048DS*	38QUS048DT*	
42QTD048R8S*	38QUS048R8T*	
42QTD060DS*	38QUS060DT*	
42QTD060R8S*	38QUS060R8T*	
		IDU: 220-240 V~ 50 Hz ODU: 380-415 V 3N~ 50 Hz



**Upozornění: Nebezpečí požáru pouze pro chladivo R32/R290**

## **VAROVÁNÍ!**

Servis spotřebiče lze provádět pouze v souladu s doporučeními výrobce. Údržba a opravy, které si vyžadují pomoc jiného odborného personálu, se provádějí pod dohledem osoby, která je způsobilá manipulovat s hořlavým chladivem. Více podrobností naleznete v Informacích o servisu v NÁVODU K INSTALACI. (Požaduje se pouze pro jednotky používající chladivo R32/R290)

Výrobce si vyhrazuje právo změnit jakékoliv specifikace produktu bez předchozího upozornění.

# 1. PŘEČTĚTE SI PŘED SPUŠTĚNÍM

Bylo vyšetřeno, že tento výrobek je v souladu se směrnicí Evropské unie o zařízeních nízkého napětí (2014/35/ES), a se směrnicí týkající se elektromagnetické kompatibility (2014/30/ES).



## Správná likvidace produktu (Odpadní elektrická a elektronická zařízení)

Při používání této klimatizační jednotky v evropských zemích musí být dodržovány následující pokyny:

- Toto označení uvedené na výrobku nebo v dokumentech k výrobku znamená, že elektrický odpad a elektrická zařízení (OEEZ dle směrnice 2012/19/EU) nesmí být míchána s běžným domovním odpadem. Toto zařízení nesmí být likvidováno jako běžný domovní odpad. Pro likvidaci existuje několik možností:
  1. Obec má zavedený systém sběru, kde je možné bezplatně likvidovat elektronický odpad.
  2. Prodejce bezplatně vezme zpět starý výrobek při nákupu nového výrobku.
  3. Výrobce bezplatně vezme zpět starý výrobek k likvidaci.
  4. Protože staré výrobky obsahují cenné suroviny, mohou být prodány jako kovový šrot.
 Neřádná likvidace odpadu v lesích a krajinně ohrožuje vaše zdraví, protože nebezpečné látky pronikají do podzemních vod a nacházejí si cestu do potravinového řetězce.

- Symboly použité na jednotkách a v návode:

	<b>VAROVÁNÍ</b>	Toto zařízení používá hořlavé chladivo. Pokud jsou chladiva vytečena a vystavena externímu zdroji vznícení, hrozí nebezpečí požáru.
	<b>UPOZORNĚNÍ</b>	Návod k obsluze je třeba pečlivě přečíst.
	<b>UPOZORNĚNÍ</b>	Servisní pracovníci by měli manipulovat s tímto zařízením po přečtení instalačního návodu.
	<b>UPOZORNĚNÍ</b>	K dispozici jsou informace, jako je návod k obsluze nebo instalační návod.



**UPOZORNĚNÍ**

- Pohyblivé části spotřebiče musí být nainstalovány/umístěny minimálně 2,3 m od podlahy.
- ELEKTIRCKÉ práce může provádět pouze oprávněný personál, a to v souladu se státními normami pro kabeláž. Pokud je napájecí kabel poškozen, musí jej vyměnit výrobce, jeho servisní zástupce nebo osoby s podobnou kvalifikací, aby se předešlo nebezpečí.
- Servis spotřebiče lze provádět pouze v souladu s doporučeními výrobce.
- Údržba a opravy, které si vyžadují pomoc jiného odborného personálu, se provádějí pod dohledem osoby, která je způsobilá manipulovat s hořlavým chladivem.

# 1. PŘEČTĚTE SI PŘED SPUŠTĚNÍM

## 1.1 BEZPEČNOSTNÍ OPATŘENÍ

- Před použitím tohoto produktu si přečtěte tento návod!
- Toto zařízení mohou používat děti od 8 let výše a osoby s omezenými fyzickými, smyslovými nebo duševními schopnostmi, nebo bez patřičných zkušeností a znalostí, pokud jim byl poskytnut dohled nebo pokyny ohledně bezpečného používání zařízení a jestliže rozumí souvisejícím rizikům.
- Děti si s tímto zařízením nesmějí hrát. Čištění a užitelská údržba nesmějí být prováděny dětmi bez dohledu.

### VAROVÁNÍ

Tento symbol indikuje možnost vážného nebo smrtelného zranění.

- Instalace tohoto produktu musí být provedena pouze kvalifikovaným a zkušeným personálem.
- **ELEKTRIKÁŘSKÉ práce smí provádět pouze oprávněný personál v souladu s národními normami pro elektrická zapojení. Pokud je napájecí kabel poškozen, musí být vyměněn výrobcem, jeho servisním zástupcem nebo obdobně kvalifikovanými pracovníky, aby se předešlo možnému nebezpečí.**
- **Nepoužívejte prodlužovací kabel a nesdílejte stejnou zásuvku s jinými spotřebiči.**
- **Nepokoušejte se provádět údržbu klimatizační jednotky, ani ji opravovat, přemísťovat nebo modifikovat. Vyhledejte odbornou pomoc – obraťte se na autorizovaného prodejce.**  
Nedokončená oprava nebo údržba mohou způsobit únik vody, úraz elektrickým proudem nebo požár.
- **Vypněte jednotku, všimnete-li si neobvyklého zápachu, zvuků nebo vibrací. Obráťte se na autorizovaného dodavatele.**
- **V klimatizované oblasti nepoužívejte hořlavý plyn nebo hořlavé látky jako benzín, benzen, ředidlo atd.**  
Mohlo by dojít k požáru.
- **V klimatizované oblasti nepoužívejte vytápěcí zařízení.**  
Nedostatečná ventilace může být příčinou nehod způsobených nedostatkem kyslíku.
- **Ovládání jednotky mokřýma rukama může způsobit úraz elektrickým proudem.**
- **Dlouhodobé vystavení průvanu může vést ke svalovému nepohodlí a suchým očím.**  
Tento postup může vést k narušení fyzické kondice a způsobit zdravotní problémy.
- **Pokud je zařízení v provozu, nedotýkejte se výstupu vzduchu nebo žaluzie.**  
Můžete si způsobit zranění.
- **Nepoužívejte klimatizační jednotku ve vlhké místnosti, jako například v koupelně nebo prádelně.**  
Jinak by mohlo dojít k úrazu elektrickým proudem.
- **Do prostoru vstupu a výstupu vzduchu nikdy nedávejte ruce nebo jiné předměty.**  
Mohlo by dojít ke zranění, protože vnitřní ventilátor se otáčí velkou rychlostí.
- **Na jednotku nepokládejte jakékoli předměty, zejména předměty obsahující vodu, jako například vázy.**  
Může dojít k úrazu elektrickým proudem.
- **Dálkový ovládač uchovávejte mimo dosah malých dětí.**  
Děti mohou spolknout baterie nebo může dojít k jiným nehodám.
- **Tento spotřebič je určen pouze pro použití v domácím prostředí.**  
Spotřebiče určené pro použití v domácím prostředí jsou spotřebiče pro typické funkce spojené s péčí o domácnost. Tyto spotřebiče mohou používat také neprofesionální uživatelé, například v obchodech, úřadech a dalších pracovních prostředích, dále na farmách, v hotelech, motelech a dalších prostředích rezidenčního typu.

# 1. PŘEČTĚTE SI PŘED SPUŠTĚNÍM

## ! UPOZORNĚNÍ

Tento symbol indikuje možnost poškození majetku nebo vážných následků.

- Tento výrobek je určen **POUZE** pro lidské pohodlí.
- **Neblokujte vstupy nebo výstupy vzduchu.** Mělo by to za následek zhoršený výkon, zvýšené provozní náklady a sníženou životnost výrobku.
- **Neovládejte tento systém pomocí hlavního vypínače.**  
Mohlo by dojít k požáru nebo úniku vody.
- **Nedotýkejte se žeber tepelného výměníku.**  
Kovové části mohou mít ostré hrany, které mohou způsobit zranění.
- **Pokud není jednotka používána po delší dobu, odpojte ji.**
- **Odpojte PŘED čištěním nebo opravou.**
- **Nikdy na tento výrobek nepoužívejte koncentrované čisticí prostředky, rozpouštědla nebo abrazivní leštidla.**
- **Pravidelná údržba vnitřní a venkovní jednotky na vysoké úrovni je zásadní.**  
Pro hloubkové čištění, mazání a funkční kontrolu všech kritických komponent je nutná odborná ÚDRŽBA. Kontaktujte kvalifikovaný servisní personál.

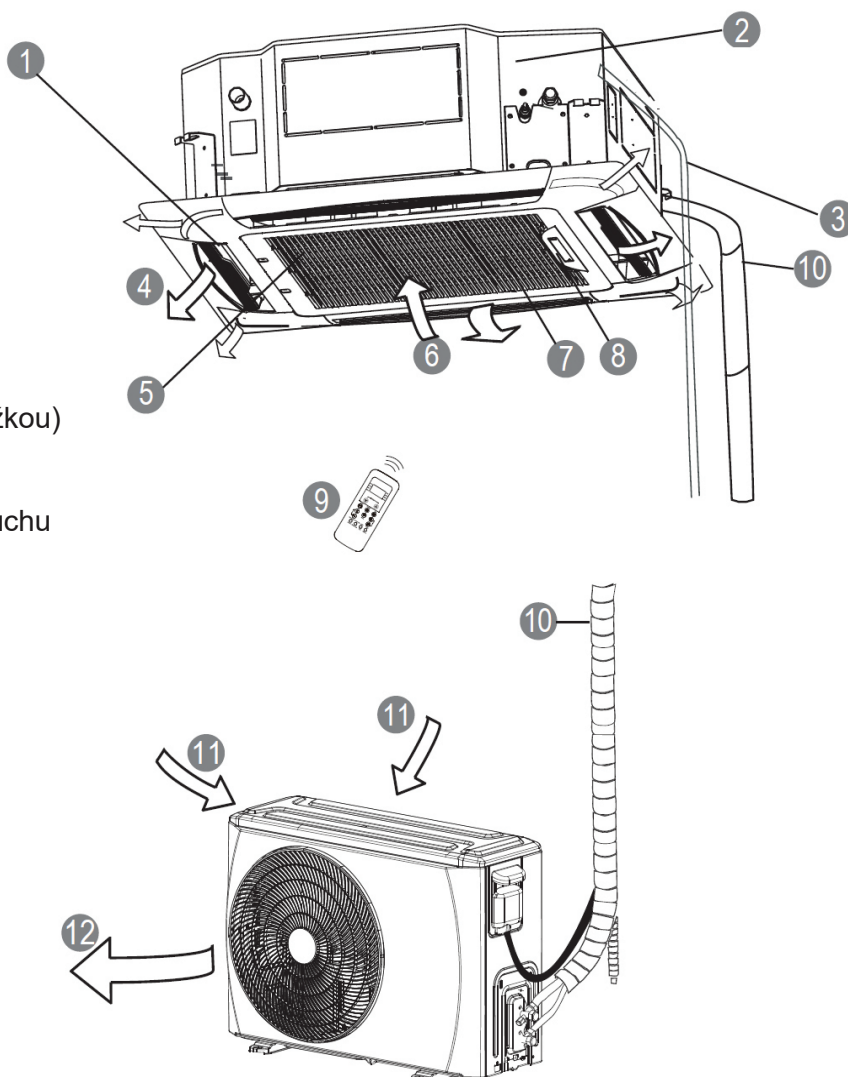
## 1.2 NÁZVY ČÁSTÍ

### VNITŘNÍ JEDNOTKA

- 1 Žaluzie
- 2 Vypouštěcí čerpadlo
- 3 Odtokové potrubí
- 4 Výstup vzduchu
- 5 Vzduchový filtr (za mřížkou)
- 6 Přívod vzduchu
- 7 Mřížka na přívodu vzduchu
- 8 Displej
- 9 Dálkový ovladač\*

### VENKOVNÍ JEDNOTKA

- 10 Spojovací potrubí
- 11 Přívod vzduchu
- 12 Výstup vzduchu



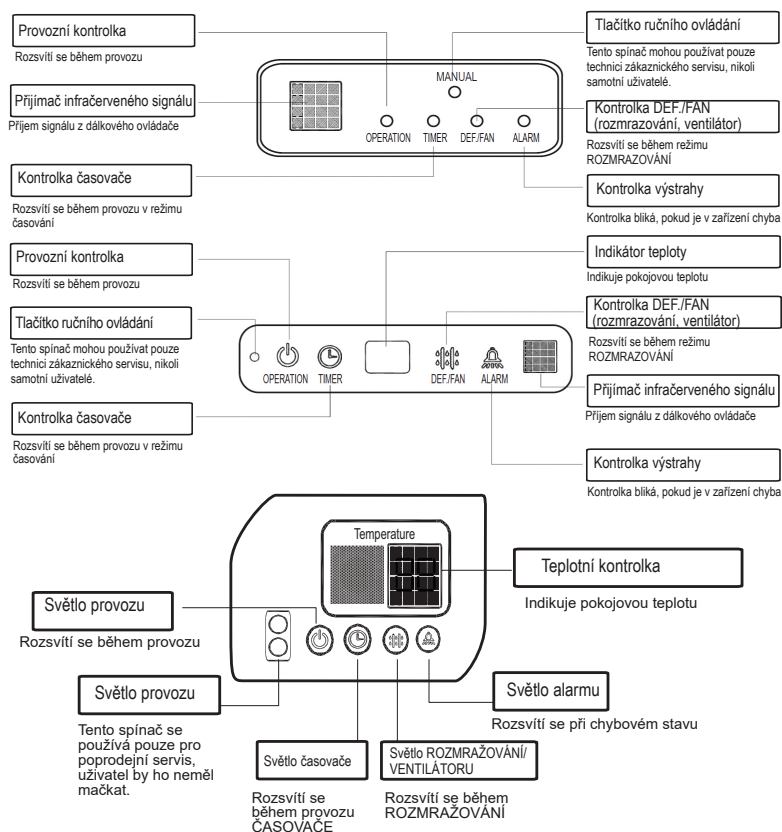
[\*] Dálkový ovladač nebo kabelový ovladač: v závislosti na modelu.



# 1. PŘEČTĚTE SI PŘED SPUŠTĚNÍM

## DISPLEJ

Kontrolky pro indikaci funkcí na zobrazovacím panelu vnitřní jednotky (v závislosti od modelu)



## POZNÁMKA

- Všechny obrázky v tomto návodu jsou zde pouze za účelem vysvětlení. Mohou se mírně lišit od klimatizační jednotky, kterou jste zakoupili (v závislosti na modelu). Skutečný tvar má přednost.
- Příručka pro použití dálkového ovládače (nebo kabelového ovládače) je součástí této dokumentace.

## 2. PROVOZ

### 2.1 PROVOZNÍ PODMÍNKY

Provozní podmínky		Vnitřní	Venkovní
Chlazení	Horní limit	32 °C DB	46 °C DB
	Spodní limit	18 °C DB	-10 °C DB
Vytápění	Horní limit	27 °C DB	24 °C DB
	Spodní limit	0 °C DB	-15 °C DB

Poznámka: DB – Suchá teplota

- Optimálního výkonu bude dosaženo v tomto rozmezí provozních teplot.
- Když jednotka pracuje dlouho nad nebo pod tímto rozmezím, diagnostika systému může detekovat poruchu a jednotka nebude pracovat správně.
- Relativní vlhkost místnosti – méně než 80 %. Pracuje-li klimatizační jednotka mimo tento rozsah, může povrch klimatizační jednotky přitahovat kondenzaci.
- PRO VNĚJŠÍ JEDNOTKY S POMOCNÝM ELEKTRICKÝM OHRÍVAČEM: Pokud je venkovní teplota nižší než 0 °C, důrazně doporučujeme nechat zařízení stále zapojené, aby byl zajištěn plynulý průběžný provoz.

## 2. PROVOZ

### 2.2 POPIS ČINNOSTI

Základní provozní režimy: **AUTO (automatický) / COOL (chlazení) / DRY (vysoušení) / HEAT (ohřívání) / FAN (ventilátor)**

#### Režim AUTO (automatický)

- V tomto nastavení systém automaticky změní režimy a otáčky ventilátoru podle nastavené teploty.
- [Na jaře a na podzim může užší regulace teploty vyžadovat změny režimů COOL/HEAT.]

#### Režim DRY (odvlhčování)

V tomto režimu je důraz kladen na odvlhčování vzduchu. K tomuto účelu a k regulaci teploty v místnosti se používají nízké otáčky ventilátoru a cykly kompresoru.

#### Prodleva kompresoru

Při spuštění ochraňuje kompresor časová prodleva 3–4 minuty.

#### Prevence studeného průvanu

Aby se zabránilo nepříjemnému průvanu v režimu vytápění, vnitřní jednotka se před spuštěním ventilátoru přehřívá. Toto zpoždění by mělo trvat jen několik minut.

#### Automatické rozmrazení

V režimu vytápění se na venkovní jednotce vytváří led. Aby se tento led rozmrazil, vnitřní ventilátor se zastaví na několik minut, a poté vytápění pokračuje.

#### Automatické restartování\*

Po výpadku napájení se jednotka automaticky restartuje. Všechna předchozí uživatelská nastavení jsou obnovena.

#### Automatická detekce netěsnosti\*

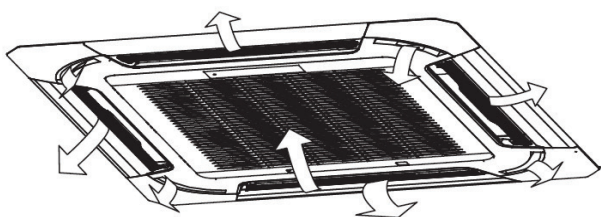
Je-li detekován únik chladiva, jednotka zobrazí kód „EC“ nebo začnou blikat diody.

#### Paměť žaluzie\*

Natočení žaluzie se uloží do paměti a vrátí se do poslední polohy zvolené uživatelem.

#### Nastavení směru proudění vzduchu

- Chcete-li nastavit směr proudění vzduchu, stiskněte tlačítko „AIR DIRECTION“ (směr proudu vzduchu) na dálkovém ovladači. Pozice žaluzie se při každém stisknutí tlačítka mírně posune.
- Chcete-li aktivovat kontinuální pohyb žaluzie, stiskněte tlačítko „SWING“ (natočení žaluzie).



[\*] Podle modelu

#### POZNÁMKA

- Další podrobnosti najdete v příručce „NÁVOD K POUŽITÍ DÁLKOVÉHO OVLADAČE“.
- V režimu CHLAZENÍ nebo ODVLHČOVÁNÍ se může tvořit kondenzát a při vysoké vlhkosti může tento kondenzát odkapávat z jednotky, pokud je žaluzie nastavena na maximální spodní pozici.
- Nespouštějte jednotku, pokud je žaluzie uzavřena nebo pouze úzce otevřena. Omezené proudění vzduchu snižuje výkon a může způsobit tvorbu kondenzátu.

#### ! UPOZORNĚNÍ

Nepokoušejte se seřizovat žaluzie ručně.

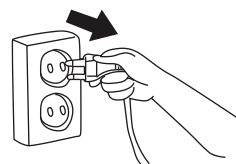
### 2.3 TIPY PRO ÚSPORNÝ PROVOZ

- Nastavte teplotu pro dosažení přiměřené úrovně pohodlí. Nadměrně nízké nebo vysoké teploty plýtvají energií.
- Výkon zlepšíte se zavřenými okny a dveřmi.
- Využití energie omezíte [dobu chodu] použitím funkce TIMER (časovač).
- Neblokujte vstupy nebo výstupy vzduchu. Mělo by to za následek zhoršený výkon, zvýšené provozní náklady a sníženou životnost výrobku.
- Pravidelně kontrolujte vzduchové filtry a v případě potřeby je vyčistěte.
- Pokud nebude zařízení delší dobu používáno, odpojte je z napájení.

# 3. PÉČE A ÚDRŽBA

## ! UPOZORNĚNÍ

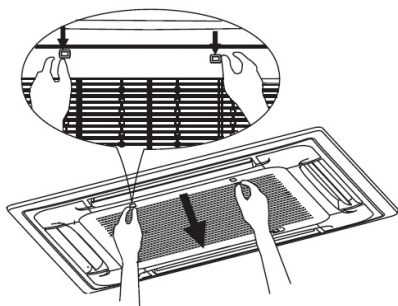
- PŘED zahájením čištění nebo servisu ODPOJTE zařízení ze zdroje napájení!
- Při čištění mřížky, krytu a dálkového ovladače použijte měkký vlhký hadřík.
- Pro provedení opravy nebo jakékoli údržby, kterou nemůže provést uživatel, kontaktujte kvalifikovaný servisní personál. Jedná se například o hloubkové čištění, mazání a kontrolu funkce kritických komponentů.



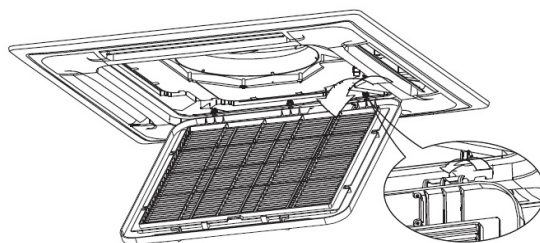
### ■ Čištění vzduchového filtru

K provedení servisu, který vyžaduje sejmutí krytů, kontaktujte kvalifikované servisní zaměstnance. Pro zajištění dobrého provozu pravidelně kontrolujte vzduchové filtry a v případě potřeby tyto filtry vyčistěte.

- Chcete-li mřížku otevřít, zatlačte současně na oba knoflíky mřížky.

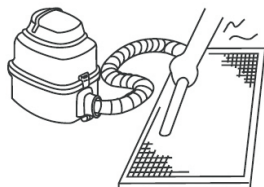


- Odpojte propojovací kabel mezi řídicí skříní a deskou displeje. Následně vyjměte mřížku a filtr.



- Vyčistěte vzduchový filtr.

K vyčištění vzduchového filtru lze použít vysavač nebo čistou vodu. Pokud je nahromaděno příliš mnoho prachu, vyčistěte jej pomocí jemného kartáče a neutrálního mycího prostředku a vysušte jej na chladném místě. Znovu nasadte vzduchový filtr a mřížku u přívodu vzduchu. Postupujte opačně vzhledem k výše uvedenému postupu.



#### POZNÁMKA:

Strana přívodu vzduchu by měla být při použití vysavače obrácena vzhůru.  
Strana přívodu vzduchu by měla být při použití vody obrácena dolů.

### ■ Příprava na uložení [dlouhodobá nečinnost]

1. Vyčistěte vzduchové filtry
2. Ve vlhkém podnebí použijte pouze v režimu FAN, dokud jednotka nevyschne.
3. Vypněte klimatizační jednotku pomocí dálkového ovladače a vyjměte baterie.
4. Odpojte jednotku od elektrické sítě.

### ■ Opětné použití po uložení

1. Zkontrolujte, zda není blokován přívod nebo vývod vzduchu.
2. Vyčistěte vzduchové filtry
3. Zkontrolujte, zda nejsou poškozeny kabely. Zkontrolujte jejich správné uzemnění.
4. Připojte jednotku k elektrické síti.
5. Počkejte 24 hodin, je-li okolní teplota nízká.
6. Opět nainstalujte baterie do dálkového ovladače a zapněte jednotku.

## 4. ŘEŠENÍ PROBLÉMŮ

- Než budete kontaktovat servisní středisko, proveďte následující kontrolu.

PROBLÉM	NEJPRVE ZKONTROLUJTE!
Zařízení vůbec nefunguje	• Došlo k výpadku napájení?
	• Je vypínač vypnutý, jističe aktivovaný nebo pojistka spálená?
	• Jsou baterie v dálkovém ovladači nabité?
	• Jsou hodiny a časovač na dálkovém ovladači správně nastavené?
Slabý výkon chlazení nebo zahřívání	• Jsou nastavení teploty a provozního režimu správná?
	• Jsou vzduchové filtry čisté?
	• Jsou okna a dveře zavřené?
	• Je proudění vzduchu přes vnitřní a venkovní jednotku neomezeno?
	• Jsou otáčky ventilátoru vysoké a umožňují žaluzie maximální průtok?

- Pokyny, tipy a upozornění

Při běžném provozu se mohou vyskytnout následující situace, aniž by šlo o závadu.

Případ	Vysvětlení
Chlazení nebo vytápění je zpožděno.	Zpoždění 3 minuty chrání kompresor.
Změny otáček ventilátoru – vypnuté, velmi pomalé a poté normální	Automaticky se tak děje v režimu vytápění - zabraňuje proudění chladného vzduchu na přítomné osoby.
Provoz vytápění se náhle zastaví a kontrolka rozmrazování bliká.	Probíhá odstraňování námrazy z venkovní jednotky (5–10 minut).
Z vnitřní jednotky vychází bílá mlha.	To se může stát, když je teplota jednotky nízká a vzduch v místnosti je horký a vlhký.
Klimatizační jednotka vydává slabé zvuky.	„Syčivý zvuk“: normální – tlak plynu se vyrovnává, když se kompresor zastaví nebo se spustí.
	„Skřípání“: normální expanze a kontrakce plastových a kovových dílů.
	Proudící vzduch – normální, když žaluzie mění svou polohu.
Z jednotky vystupuje prach.	To může nastat, když se klimatizace používá poprvé nebo nebyla delší dobu použita.
Jednotka vydává zvláštní zápach.	To je obvykle způsobené chemikáliemi, cigaretovým kouřem, vařením atd. Pokud tomu tak není, obraťte se na vhodnou servisní firmu.
Změna na režim ventilace pouze při chlazení nebo vytápění.	Pokojeová teplota je stejná jako teplota zvolená dálkovým ovladačem. Pokud tomu tak není, obraťte se na vhodnou servisní firmu.
Slabý výkon vytápění	K tomuto může dojít, když je venkovní teplota poblíž nuly nebo pod nulou stupňů Celsia.
Zapíná se automaticky	To je normální, když je napájení po výpadku obnoveno.
Provoz je nevyrovnaný, nepředvídatelný nebo bez odezvy.	Interference z vysílačů mobilní sítě a dálkových zesilovačů může způsobit poruchu jednotky.
	Odpojte napájení a poté je znovu připojte.
	Chcete-li restartovat provoz, stiskněte tlačítko ON/OFF na dálkovém ovladači.
	Pokud se nedaří problém vyřešit, obraťte se na vhodnou servisní firmu.

## 4. ŘEŠENÍ PROBLÉMŮ

### ■ Obráťte se na autorizovaného dodavatele.

V každém z následujících případů jednotku ihned vypněte!

- Napájecí kabel je poškozený nebo abnormálně teplý.
- Je cítit zápach spáleniny.
- Jsou slyšet hlasité nebo neobvyklé zvuky.
- Často se spálí pojistka nebo rozpojí jistič.
- Do jednotky nebo z jednotky teče voda nebo padají jiné předměty.
- Indikátory nepřetržitě blikají.
- Zobrazí se kód samostatné diagnostiky, například E0, E1, E2 ... nebo P0, P1, P2... atd.

- Zaznamenejte číslo modelu produktu.
- Obráťte se na vhodnou servisní firmu.
- Uveďte všechny zjištěné podrobnosti!

### UPOZORNĚNÍ

NEPOKOUŠEJTE SE NAPRAVIT TYTO SITUACE VLASTNÍMI SILAMI!  
KONTAKTUJTE KVALIFIKOVANÝ SERVISNÍ PERSONÁL!

### UPOZORNĚNÍ

- Klimatizace sestávající z více jednotek nemůže pracovat v různých provozních režimech současně, například jedna jednotka v režimu „COOL“ a druhá jednotka v režimu „HEAT“.  
Při nastavení různých provozních režimů bude mít přednost režim „HEAT“. Vnitřní jednotka, která pracuje v režimu „COOL“ nebo „FAN“, se zastaví a zobrazí „P5“.

# ΠΕΡΙΕΧΟΜΕΝΑ

1. ΠΡΙΝ ΑΠΟ ΤΗ ΛΕΙΤΟΥΡΓΙΑ .....	2
1.1 Προφυλάξεις ασφαλείας .....	3
1.2 Ονομασίες εξαρτημάτων .....	4
2. ΛΕΙΤΟΥΡΓΙΑ .....	5
2.1 Συνθήκες λειτουργίας .....	5
2.2 Πώς λειτουργεί .....	6
2.3 Συμβουλές για οικονομική λειτουργία .....	6
3. ΦΡΟΝΤΙΔΑ ΚΑΙ ΣΥΝΤΗΡΗΣΗ .....	7
4. ΑΝΤΙΜΕΤΩΠΙΣΗ ΠΡΟΒΛΗΜΑΤΩΝ .....	8

Εσωτερική μονάδα	Εξωτερική μονάδα	Ονομαστική τάση και Hz
42QTD009DS*	38QUS009DS*	220-240V~ 50Hz
42QTD012DS*	38QUS012DS*	
42QTD018DS*	38QUS018DS*	
42QTD018D8S*	38QUS018R8S*	
42QTD018R8S*	38QUS018R8S*	
42QTD024R8S*	38QUS024R8S*	
42QTD024DS*	38QUS024DS*	
42QTD030DS*	38QUS030DS*	
42QTD036DS*	38QUS036DS*	
42QTD036R8S*	38QUS036R8S*	
42QTD048DS*	38QUS048DS*	
42QTD036DS*	38QUS036DT*	
42QTD036R8S*	38QUS036R8T*	
42QTD048DS*	38QUS048DT*	
42QTD048R8S*	38QUS048R8T*	
42QTD060DS*	38QUS060DT*	
42QTD060R8S*	38QUS060R8T*	

Εσωτερική μονάδα: 220-240 V ~ 50 Hz  
Εξωτερική μονάδα: 380-415 V 3 N ~ 50 Hz



**Προσοχή: Κίνδυνος πυρκαγιάς μόνο  
όσον αφορά το ψυκτικό μέσο R32/R290**



## **ΠΡΟΕΙΔΟΠΟΙΗΣΗ!**

Οι εργασίες επισκευής και συντήρησης πρέπει να εκτελούνται μόνο όπως συνιστά ο κατασκευαστής του εξοπλισμού. Οι εργασίες συντήρησης και επισκευής για τις οποίες απαιτείται η βοήθεια άλλων εξειδικευμένων τεχνικών πρέπει να εκτελούνται υπό την επίβλεψη του ατόμου που είναι αρμόδιο για τη χρήση εύφλεκτων ψυκτικών μέσων. Για περισσότερες λεπτομέρειες ανατρέξτε στις πληροφορίες όσον αφορά τις εργασίες επισκευής και συντήρησης στο ΕΓΧΕΙΡΙΔΙΟ ΕΓΚΑΤΑΣΤΑΣΗΣ. (Αυτό απαιτείται μόνο για τις μονάδες που χρησιμοποιούν ψυκτικό μέσο R32/R290.)

Ο κατασκευαστής διατηρεί το δικαίωμα μεταβολής οποιασδήποτε προδιαγραφής του προϊόντος χωρίς προειδοποίηση.

# 1. ΠΡΙΝ ΑΠΟ ΤΗ ΛΕΙΤΟΥΡΓΙΑ

Το προϊόν αυτό συμμορφώνεται με την Οδηγία Χαμηλής Τάσης (2014/35/EK) και την Οδηγία για την Ηλεκτρομαγνητική Συμβατότητα (2014/30/EK) της Ευρωπαϊκής Ένωσης.



## Σωστή διάθεση αυτού του προϊόντος (Απόβλητα ηλεκτρικού και ηλεκτρονικού εξοπλισμού)

(Όταν χρησιμοποιείτε αυτό το κλιματιστικό σε χώρες της Ευρώπης, πρέπει να τηρείτε τις ακόλουθες οδηγίες)

- Αυτή η σήμανση που εμφανίζεται στο προϊόν ή στα εγχειρίδιά του υποδεικνύει ότι η απόρριψη αποβλήτων ηλεκτρικού και ηλεκτρονικού εξοπλισμού (ΑΗΗΕ στην οδηγία 2012/19/ΕΕ) δεν πρέπει να γίνεται σε χώρο που προορίζεται για τα κοινά οικιακά απόβλητα.

Απαγορεύεται η απόρριψη αυτής της συσκευής στα οικιακά απόβλητα.

Για την απόρριψή της, υπάρχουν αρκετές επιλογές:

1. Ο δήμος διαθέτει συστήματα συλλογής, όπου μπορούν να απορρίπτονται τα ηλεκτρονικά απόβλητα, τα οποία είναι τουλάχιστον χωρίς χρέωση για το χρήστη.
2. Όταν αγοράζετε ένα νέο προϊόν, το κατάστημα θα πάρει πίσω το παλιό προϊόν τουλάχιστον χωρίς χρέωση.
3. Ο κατασκευαστής θα πάρει πίσω την παλιά συσκευή τουλάχιστον χωρίς χρέωση για τον χρήστη.
4. Επειδή τα παλιά προϊόντα περιέχουν πολύτιμα υλικά, μπορούν να πωληθούν σε εμπόρους παλαιών μετάλλων και σιδήρου.

Η ανεξέλεγκτη διάθεση αποβλήτων σε δάση και στη φύση θέτει σε κίνδυνο την υγεία σας όταν οι επικίνδυνες ουσίες διαρρέουν στο έδαφος και το νερό και εισέρχονται στην τροφική αλυσίδα.

- Σύμβολα που χρησιμοποιούνται στις μονάδες και στο εγχειρίδιο:

	<b>ΠΡΟΕΙΔΟΠΟΙΗΣΗ</b>	Η συγκεκριμένη συσκευή χρησιμοποιεί εύφλεκτο ψυκτικό μέσο. Αν προκύψει διαρροή του ψυκτικού μέσου και το ψυκτικό μέσο βρεθεί εκτεθειμένο σε εξωτερική πηγή ανάφλεξης, υπάρχει κίνδυνος πυρκαγιάς.
	<b>ΠΡΟΣΟΧΗ</b>	Πρέπει να διαβάσετε προσεκτικά το εγχειρίδιο λειτουργίας.
	<b>ΠΡΟΣΟΧΗ</b>	Ο χειρισμός του εξοπλισμού πρέπει να γίνεται από τεχνικούς συντήρησης οι οποίοι οφείλουν να χρησιμοποιούν το εγχειρίδιο λειτουργίας ως πηγή αναφοράς.
	<b>ΠΡΟΣΟΧΗ</b>	Υπάρχουν διαθέσιμες πληροφορίες, π.χ. το εγχειρίδιο λειτουργίας ή το εγχειρίδιο εγκατάστασης.



- Τα κινούμενα εξαρτήματα της συσκευής πρέπει να είναι εγκατεστημένα/τοποθετημένα τουλάχιστον 2,3 μέτρα πάνω από το δάπεδο.
- Οι ΗΛΕΚΤΡΟΛΟΓΙΚΕΣ εργασίες πρέπει να εκτελούνται μόνο από εξουσιοδοτημένους τεχνικούς και σύμφωνα με το εθνικό πρότυπο περί καλωδιώσεων. Αν φθαρεί το καλώδιο τροφοδοσίας, για την αντικατάστασή του πρέπει να αποταθείτε στον κατασκευαστή, στον αντιπρόσωπό του για εργασίες συντήρησης ή σε αντίστοιχα ειδικευμένους τεχνικούς προς αποφυγή κάθε κινδύνου.
- Οι εργασίες επισκευής και συντήρησης πρέπει να εκτελούνται μόνο όπως συνιστά ο κατασκευαστής του εξοπλισμού.
- Οι εργασίες συντήρησης και επισκευής για τις οποίες απαιτείται η βοήθεια άλλων εξειδικευμένων τεχνικών πρέπει να εκτελούνται υπό την επίβλεψη του ατόμου που είναι αρμόδιο για τη χρήση εύφλεκτων ψυκτικών μέσων.

# 1. ΠΡΙΝ ΑΠΟ ΤΗ ΛΕΙΤΟΥΡΓΙΑ

## 1.1 ΠΡΟΦΥΛΑΞΕΙΣ ΑΣΦΑΛΕΙΑΣ

- Διαβάστε το παρόν εγχειρίδιο προτού χρησιμοποιήσετε το προϊόν!
- Αυτή η συσκευή μπορεί να χρησιμοποιηθεί από παιδιά ηλικίας 8 ετών και άνω και από άτομα με μειωμένες σωματικές, αισθητικές ή διανοητικές ικανότητες ή έλλειψη εμπειρίας και γνώσης, μόνο αν έχουν λάβει εποπτεία ή καθοδήγηση σχετικά με τη χρήση της συσκευής από ένα άτομο που είναι υπεύθυνο για την ασφάλειά τους.
- Τα παιδιά δεν πρέπει να παίζουν με τη συσκευή. Ο καθαρισμός και η συντήρηση του χρήστη δεν πρέπει να γίνονται από παιδιά χωρίς επίβλεψη.

### ΠΡΟΕΙΔΟΠΟΙΗΣΗ

Αυτό το σύμβολο υποδεικνύει την πιθανότητα πρόκλησης τραυματισμού ή θανάτου.

- Οι εργασίες εγκατάστασης αυτού του προϊόντος πρέπει να εκτελούνται μόνο από κατάλληλα καταρτισμένα και έμπειρα άτομα.
- Οι ΗΛΕΚΤΡΟΛΟΓΙΚΕΣ εργασίες πρέπει να εκτελούνται μόνο από εξουσιοδοτημένο προσωπικό και σύμφωνα με τα εθνικά πρότυπα καλωδίωσης. Εάν το καλώδιο τροφοδοσίας έχει υποστεί ζημιά, πρέπει να αντικατασταθεί από τον κατασκευαστή, το τμήμα σέρβις της αντιπροσωπείας ή κάποιον ειδικό, προκειμένου να αποφευχθεί τυχόν κίνδυνος.
- Μην χρησιμοποιείτε μπαλαντέζα προέκτασης και μη χρησιμοποιείτε πολύπριζο όπου είναι συνδεδεμένες και άλλες συσκευές.
- Μην επιχειρήσετε να συντηρήσετε, να επισκευάσετε, να μετακινήσετε ή να τροποποιήσετε το κλιματιστικό μόνοι σας. Ζητήστε τη βοήθεια ενός επαγγελματία τεχνικού - επικοινωνήστε με έναν εξουσιοδοτημένο συνεργάτη.  
Τυχόν ατελείς εργασίες επισκευής και συντήρησης που έχετε πραγματοποιήσει μόνοι σας μπορεί να προκαλέσουν διαρροή νερού, ηλεκτροπληξία και πυρκαγιά.
- Θέστε τη μονάδα εκτός λειτουργίας σε περίπτωση που παρατηρήσετε ασυνήθιστες οσμές, ήχους ή δονήσεις. Επικοινωνήστε με τον εξουσιοδοτημένο συνεργάτη.
- Μην χρησιμοποιείτε εύφλεκτα αέρια ή εύφλεκτα υλικά, όπως βενζίνη, βενζόλιο, διαλυτικά, κ.λπ. εντός του κλιματιζόμενου χώρου.  
Αυτό μπορεί να προκαλέσει πυρκαγιά.
- Μην χρησιμοποιείτε συσκευές θέρμανσης εντός του κλιματιζόμενου χώρου.  
Ο ανεπαρκής εξαερισμός μπορεί να προκαλέσει ατυχήματα λόγω ελλείψεως οξυγόνου.
- Ο χειρισμός της συσκευής με βρεγμένα χέρια μπορεί να προκαλέσει ηλεκτροπληξία.
- Η παρατεταμένη έκθεση στο ρεύμα του αέρα του κλιματιστικού μπορεί να προκαλέσει μυϊκούς πόνους και ξηροφθαλμία.  
Αυτό μπορεί να επηρεάσει τη φυσική σας κατάσταση και να προκαλέσει προβλήματα υγείας.
- Μην αγγίζετε την έξοδο αέρα ή την περσίδα ενώ λειτουργεί η συσκευή.  
Μπορεί να προκληθεί τραυματισμός.
- Μην χρησιμοποιείτε τη συσκευή σε υγρούς χώρους, όπως το μπάνιο ή το δωμάτιο του πλυντηρίου.  
Αυτό μπορεί να προκαλέσει ηλεκτροπληξία.
- Μην βάζετε τα χέρια ή τα δάχτυλά σας, ή άλλα αντικείμενα μέσα στην είσοδο ή την έξοδο του αέρα.  
Αυτό μπορεί να προκαλέσει τραυματισμό, καθώς ο εσωτερικός ανεμιστήρας περιστρέφεται με μεγάλη ταχύτητα.
- Μην τοποθετείτε οποιοδήποτε αντικείμενο, ειδικά δοχεία που περιέχουν νερό όπως βάζα, επάνω στη μονάδα.  
Μπορεί να προκληθεί ηλεκτροπληξία.
- Φυλάξτε το τηλεχειριστήριο μακριά από νήπια.  
Εάν δεν το κάνετε αυτό, μπορεί να καταπιούν τις μπαταρίες ή να προκληθούν άλλα ατυχήματα.
- Αυτή η συσκευή προορίζεται για χρήση μόνο σε οικιακό περιβάλλον.  
Συσκευές για οικιακό περιβάλλον είναι οι συσκευές για συνήθεις οικιακές λειτουργίες εντός σπιτιών, οι οποίες μπορούν επίσης να χρησιμοποιηθούν από χρήστες που δεν έχουν ιδιαίτερη ειδίκευση, καθώς και σε καταστήματα, γραφεία και άλλα παρόμοια περιβάλλοντα εργασίας, αργοτόσπιτα, ξενοδοχεία, πανδοχεία και άλλα περιβάλλοντα οικιστικού τύπου.



# 1. ΠΡΙΝ ΑΠΟ ΤΗ ΛΕΙΤΟΥΡΓΙΑ

## **!** ΠΡΟΣΟΧΗ

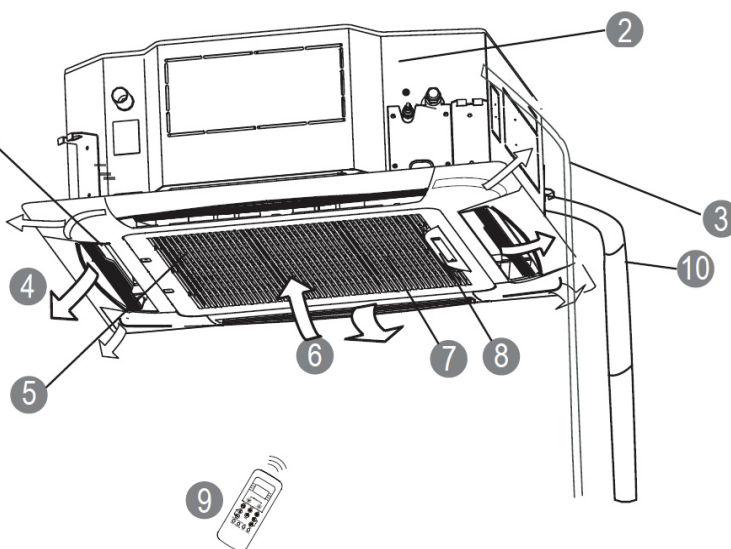
Αυτό το σύμβολο υποδεικνύει την πιθανότητα υλικών ζημιών ή σοβαρών συνεπειών.

- Αυτό το προϊόν προορίζεται **ΜΟΝΟ** για τη δημιουργία άνετης ατμόσφαιρας στο χώρο σας.
- **Μη φράζετε τις εισόδους και τις εξόδους του αέρα.** Αυτό θα οδηγήσει σε ανεπαρκή απόδοση, αυξημένο κόστος λειτουργίας και μείωση της διάρκειας ζωής του προϊόντος.
- **Μην ελέγχετε το σύστημα με τον κεντρικό διακόπτη.**  
Μπορεί να προκληθεί πυρκαγιά ή διαρροή νερού.
- **Μην αγγίζετε τα πτερύγια στον εναλλάκτη θερμότητας.**  
Τα μεταλλικά μέρη μπορεί να έχουν αιχμηρές ακμές που προκαλούν τραυματισμούς.
- **Αποσυνδέετε τη μονάδα από την πρίζα όταν δεν πρόκειται να την χρησιμοποιήσετε για μεγάλο χρονικό διάστημα.**
- **Αποσυνδέστε ΠΡΙΝ από τον καθαρισμό ή τη συντήρηση.**
- **Ποτέ μη χρησιμοποιείτε ισχυρά απορρυπαντικά, διαλύτες ή διαβρωτικά γυαλιστικά για το προϊόν.**
- **Η τακτική συντήρηση υψηλού επιπέδου των εσωτερικών και εξωτερικών μονάδων είναι απαραίτητη.**  
Απαιτείται συντήρηση από ειδικευμένο τεχνικό για να γίνει σωστός καθαρισμός, λίπανση και έλεγχος της λειτουργίας όλων των σημαντικών εξαρτημάτων. Επικοινωνήστε με εξειδικευμένο τεχνικό συντήρησης.

## 1.2 ΟΝΟΜΑΣΙΕΣ ΕΞΑΡΤΗΜΑΤΩΝ

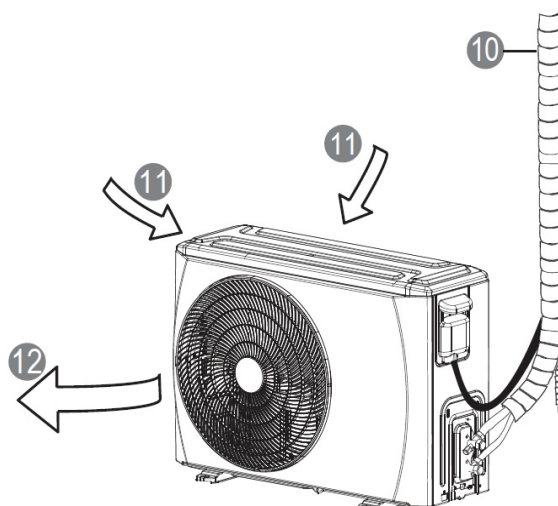
### ΕΣΩΤΕΡΙΚΗ ΜΟΝΑΔΑ

- 1 Περσίδα
- 2 Αντλία αποστράγγισης
- 3 Σωλήνας αποστράγγισης
- 4 Έξοδος αέρα
- 5 Φίλτρο αέρα (μέσα στη γρίλια)
- 6 Είσοδος αέρα
- 7 Γρίλια εισόδου αέρα
- 8 Οθόνη
- 9 Τηλεχειριστήριο\*



### ΕΞΩΤΕΡΙΚΗ ΜΟΝΑΔΑ

- 10 Συνδετικός σωλήνας
- 11 Είσοδος αέρα
- 12 Έξοδος αέρα

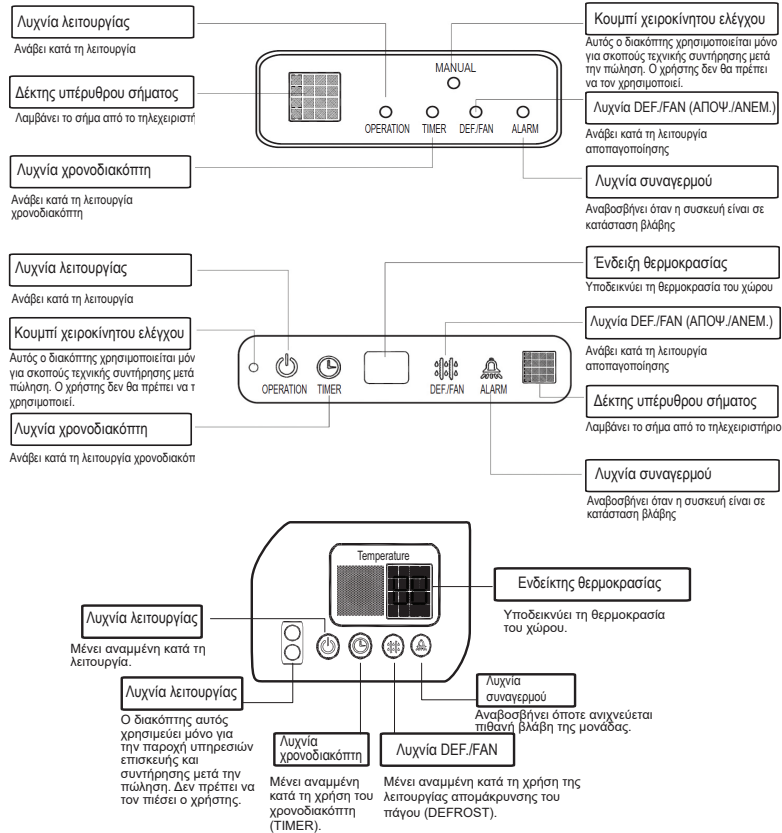


[\*] Τηλεχειριστήριο ή ενσύρματο χειριστήριο, ανάλογα με το μοντέλο.

# 1. ΠΡΙΝ ΑΠΟ ΤΗ ΛΕΙΤΟΥΡΓΙΑ

## ΟΘΟΝΗ

Ενδείκτες λειτουργιών στον πίνακα ενδείξεων στην εσωτερική μονάδα (ανάλογα με το μοντέλο)



## ΣΗΜΕΙΩΣΗ

- Όλες οι εικόνες στο παρόν εγχειρίδιο παρέχονται μόνο για επεξήγηση. Μπορεί να είναι λίγο διαφορετικές από το κλιματιστικό που έχετε αγοράσει (ανάλογα με το μοντέλο). Υπερισχύει το πραγματικό σχήμα.
- Μπορείτε να βρείτε οδηγίες για τη χρήση του τηλεχειριστηρίου (ή του ενσύρματου χειριστηρίου) στη συσκευασία του προϊόντος.

# 2. ΛΕΙΤΟΥΡΓΙΑ

## 2.1 ΣΥΝΘΗΚΕΣ ΛΕΙΤΟΥΡΓΙΑΣ

Συνθήκες λειτουργίας		Εσωτερική μονάδα	Εξωτερική μονάδα
Λειτουργία ψύξης	Μέγιστη	32°C DB	46°C DB
	Ελάχιστη	18°C DB	-10°C DB
Λειτουργία θέρμανσης	Μέγιστη	27°C DB	24°C DB
	Ελάχιστη	0°C DB	-15°C DB

Σημείωση: DB - Ξηρού βολβού

- Η βέλτιστη απόδοση επιτυγχάνεται μέσα σε αυτό το εύρος θερμοκρασιών λειτουργίας.
- Όταν η μονάδα λειτουργεί πάνω ή κάτω από αυτές τις συνθήκες για μεγάλο χρονικό διάστημα, τα διαγνωστικά στοιχεία του συστήματος μπορεί να ανιχνεύσουν δυσλειτουργία και η μονάδα να μην λειτουργήσει σωστά.
- Σχετική υγρασία χώρου - χαμηλότερη από 80%. Εάν το κλιματιστικό λειτουργεί έξω από αυτό το εύρος τιμών, μπορεί να συγκεντρωθεί υγρασία στην επιφάνειά του.
- ΓΙΑ ΕΞΩΤΕΡΙΚΕΣ ΜΟΝΑΔΕΣ ΜΕ ΒΟΗΘΗΤΙΚΟ ΗΛΕΚΤΡΙΚΟ ΘΕΡΜΑΝΤΗΡΑ: Όταν η εξωτερική θερμοκρασία είναι κάτω από τους 0°C, συνιστούμε ανεπιφύλακτα να αφήνετε τη μονάδα συνδεδεμένη στην πρίζα ώστε να λειτουργεί συνεχώς για να διασφαλίσετε ότι θα απολαμβάνετε διαρκώς τις καλύτερες δυνατές επιδόσεις της.

## 2. ΛΕΙΤΟΥΡΓΙΑ

### 2.2 ΠΩΣ ΛΕΙΤΟΥΡΓΕΙ

Βασικές λειτουργίες: **AUTO** (ΑΥΤΟΜΑΤΗ) / **COOL** (ΨΥΞΗ) / **DRY** (ΑΦΥΓΡΑΝΣΗ) / **HEAT** (ΘΕΡΜΑΝΣΗ) / **FAN** (ΑΝΕΜΙΣΤΗΡΑΣ)

#### ΑΥΤΟΜΑΤΗ λειτουργία

- Σε αυτήν τη ρύθμιση, το σύστημα αλλάζει αυτόματα λειτουργίες και ταχύτητα ανεμιστήρα για να ρυθμίσει τη θερμοκρασία του χώρου.
- Την άνοιξη και το φθινόπωρο, το σύστημα ελέγχου θερμοκρασίας μπορεί να απαιτεί αλλαγές στις λειτουργίες ΨΥΞΗΣ/ΘΕΡΜΑΝΣΗΣ.

#### Λειτουργία ΑΦΥΓΡΑΝΣΗΣ

Σε αυτήν τη λειτουργία, δίνεται προτεραιότητα στην αφύγρανση του αέρα. Για να επιτευχθεί αυτό και να ρυθμιστεί η θερμοκρασία του δωματίου χρησιμοποιούνται χαμηλή ταχύτητα ανεμιστήρα και συχνή ενεργοποίηση και απενεργοποίηση του συμπιεστή.

#### Καθυστέρηση συμπιεστή

Κατά την εκκίνηση, μία χρονική καθυστέρηση 3 έως 4 λεπτών προστατεύει το συμπιεστή.

#### Αποτροπή ροής κρύου ρεύματος αέρα

Για να αποφευχθούν τυχόν κρύα ρεύματα αέρα στη λειτουργία θέρμανσης, η εσωτερική μονάδα προθερμαίνεται πριν από την έναρξη λειτουργίας του ανεμιστήρα. Αυτή η καθυστέρηση πρέπει να διαρκέσει μόνο λίγα λεπτά.

#### Αυτόματη αποαποποίηση

Στη λειτουργία θέρμανσης σχηματίζεται πάγος πάνω στην εξωτερική μονάδα. Για να αφαιρεθεί αυτός ο πάγος, ο εσωτερικός ανεμιστήρας σταματά για λίγα λεπτά προτού συνεχιστεί η θέρμανση.

#### Αυτόματη επανεκκίνηση\*

Η μονάδα θα εκτελέσει αυτόματη επανεκκίνηση μετά από διακοπή ρεύματος. Διατηρούνται όλες οι προηγούμενες ρυθμίσεις του χρήστη.

#### Αυτόματη ανίχνευση διαρροών\*

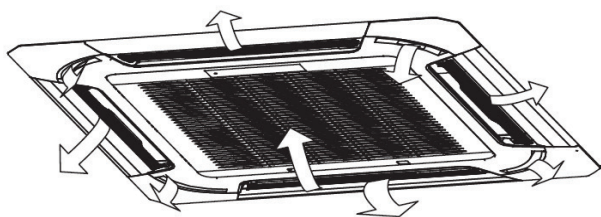
Όταν ανιχνεύεται διαρροή ψυκτικού, η μονάδα εμφανίζει τον κωδικό "EC" ή ανάβει η σχετική φωτεινή ένδειξη LED.

#### Μνήμη ρύθμισης περσίδων\*

Η γωνία της περσίδας καταχωρείται στη μνήμη της συσκευής και η περσίδα επαναφέρεται στην τελευταία θέση που είχε επιλεγεί από το χρήστη.

#### Ρύθμιση κατεύθυνσης ροής αέρα

- Πατήστε το κουμπί "AIR DIRECTION" (ΚΑΤΕΥΘΥΝΣΗ ΑΕΡΑ) στο τηλεχειριστήριο για να ρυθμίσετε την κατεύθυνση της ροής του αέρα. Η περσίδα μετακινείται ελαφρά κάθε φορά που πατάτε το κουμπί.
- Πατήστε το κουμπί "SWING" (ΚΙΝΗΣΗ) για να ενεργοποιήσετε τη συνεχή κίνηση των περσίδων.



#### ΣΗΜΕΙΩΣΗ

- Για λεπτομέρειες, ανατρέξτε στο ΕΓΧΕΙΡΙΔΙΟ ΧΡΗΣΗΣ ΤΗΛΕΧΕΙΡΙΣΤΗΡΙΟΥ.
- Σε λειτουργία ψύξης ή αφύγρανσης, μπορεί να σχηματιστεί συμπύκνωμα και να στάξει νερό από τη μονάδα σε συνθήκες υψηλής υγρασίας αν η θέση της περσίδας είναι στο χαμηλότερο σημείο.
- Μην αφήνετε τη συσκευή να λειτουργεί με την περσίδα κλειστή ή ελάχιστα ανοιχτή. Η περιορισμένη ροή αέρα μειώνει την απόδοση και μπορεί να προκαλέσει σχηματισμό συμπυκνωμάτων.

#### ! ΠΡΟΣΟΧΗ

Μην επιχειρήσετε να ρυθμίσετε την περσίδα με το χέρι.

[\*] Ανάλογα με το μοντέλο.

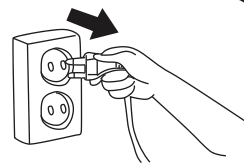
### 2.3 ΣΥΜΒΟΥΛΕΣ ΓΙΑ ΟΙΚΟΝΟΜΙΚΗ ΛΕΙΤΟΥΡΓΙΑ

- Ρυθμίστε τη θερμοκρασία ώστε να επιτύχετε τη μέγιστη δυνατή άνεση. Υπερβολικά χαμηλές ή υψηλές θερμοκρασίες σπαταλούν ενέργεια.
- Βελτιώστε τις επιδόσεις, κρατώντας τα παράθυρα και τις πόρτες κλειστές.
- Περιορίστε την κατανάλωση ενέργειας [χρόνο λειτουργίας] χρησιμοποιώντας τη λειτουργία χρονοδιακόπτη.
- Μη φράζετε τις εισόδους και τις εξόδους του αέρα. Αυτό θα οδηγήσει σε ανεπαρκή απόδοση, αυξημένο κόστος λειτουργίας και μείωση της διάρκειας ζωής του προϊόντος.
- Ελέγχετε τακτικά τα φίλτρα αέρα και καθαρίζετε τα, εάν απαιτείται.
- Αποσυνδέστε την παροχή ρεύματος αν η μονάδα δεν πρόκειται να χρησιμοποιηθεί για μεγάλο χρονικό διάστημα.

### 3. ΦΡΟΝΤΙΔΑ ΚΑΙ ΣΥΝΤΗΡΗΣΗ

#### ΠΡΟΣΟΧΗ

- ΑΠΟΣΥΝΔΕΣΤΕ τη μονάδα ΠΡΙΝ επιχειρήσετε καθαρισμό ή συντήρηση!
- Χρησιμοποιήστε ένα μαλακό, υγρό πανί για τον καθαρισμό της πρόσοψης, του περιβλήματος και του τηλεχειριστηρίου.
- Η διεξαγωγή επισκευών ή συντήρησης μερών που δεν επιδέχονται συντήρηση από το χρήστη, όπως ο εις βάθος καθαρισμός, η λίπανση και ο έλεγχος λειτουργίας των κρίσιμων εξαρτημάτων, πρέπει να γίνεται πάντοτε από εξειδικευμένο προσωπικό τεχνικής συντήρησης.

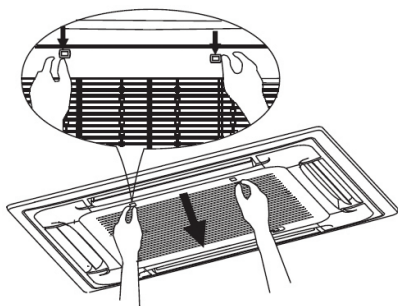


#### ■ Καθάρισμα του φίλτρου αέρα

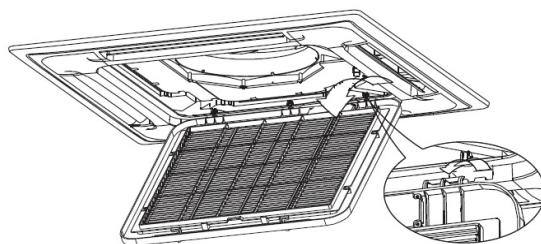
Όταν χρειάζεται συντήρηση η οποία απαιτεί την αφαίρεση των καλυμμάτων, επικοινωνήστε με το εξειδικευμένο προσωπικό τεχνικής συντήρησης.

Για να διατηρηθεί η καλή απόδοση, ελέγχετε τακτικά τα φίλτρα αέρα και καθαρίζετε τα, εάν απαιτείται.

- Πιέστε και τους δύο διακόπτες ταυτόχρονα και ανοίξτε το πάνελ.

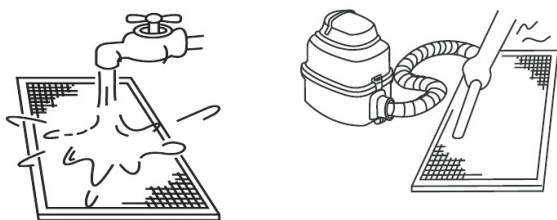


- Αποσυνδέστε το καλώδιο σύνδεσης που συνδέει το κιβώτιο ελέγχου με τον πίνακα της οθόνης. Στη συνέχεια, αφαιρέστε τη γρίλια και το φίλτρο αέρα.



- Καθαρίστε το φίλτρο αέρα

Μπορείτε να το καθαρίσετε με ηλεκτρική σκούπα ή τοποθετώντας το κάτω από τρεχούμενο καθαρό νερό. Εάν είναι πάρα πολύ σκονισμένο, χρησιμοποιήστε για τον καθαρισμό μια μαλακή βούρτσα και ένα ήπιο απορρυπαντικό και έπειτα αφήστε το να στεγνώσει σε δροσερό μέρος. Επανατοποθετήστε το φίλτρο αέρα και τη γρίλια εισόδου αέρα με την αντίστροφη σειρά που περιγράφηκε παραπάνω.



#### ΣΗΜΕΙΩΣΗ:

Όταν χρησιμοποιείτε ηλεκτρική σκούπα, η πλευρά εισόδου αέρα θα πρέπει να είναι στραμμένη προς τα επάνω.

Όταν καθαρίζετε με νερό, η πλευρά εισόδου αέρα θα πρέπει να είναι στραμμένη προς τα κάτω.

#### ■ Προετοιμασία αποθήκευσης της συσκευής [για μακροχρόνιες περιόδους αδράνειας]

1. Καθαρίστε τα φίλτρα αέρα
2. Σε υγρά ή με υγρασία κλίματα, ενεργοποιήστε τη λειτουργία ανεμιστήρα μέχρι να στεγνώσει τελείως η μονάδα.
3. Απενεργοποιήστε το κλιματιστικό με το τηλεχειριστήριο και αφαιρέστε τις μπαταρίες.
4. Αποσυνδέστε τη συσκευή από την παροχή ρεύματος

#### ■ Επαναχρησιμοποίηση μετά από αποθήκευση

1. Ελέγξτε αν υπάρχει κάτι που φράζει την είσοδο και την έξοδο του αέρα.
2. Καθαρίστε τα φίλτρα αέρα
3. Ελέγξτε τα καλώδια για φθορές και σωστή γείωση.
4. Επανασυνδέστε τη συσκευή στην παροχή ρεύματος
5. Περιμένετε 24 ώρες όταν η θερμοκρασία περιβάλλοντος είναι πολύ χαμηλή.
6. Επανατοποθετήστε τις μπαταρίες στο τηλεχειριστήριο και θέστε σε λειτουργία τη μονάδα.

## 4. ΑΝΤΙΜΕΤΩΠΙΣΗ ΠΡΟΒΛΗΜΑΤΩΝ

- Πριν καλέσετε το τμήμα συντήρησης, κάντε τους παρακάτω ελέγχους.

ΠΡΟΒΛΗΜΑ	ΕΛΕΓΞΤΕ ΠΡΩΤΑ!
Η συσκευή δεν λειτουργεί καθόλου	• Υπάρχει διακοπή ρεύματος;
	• Μήπως είναι κλειστός ο διακόπτης, είναι ανοιχτή η ασφάλεια ή έχει καεί η ασφάλεια;
	• Μήπως οι μπαταρίες του τηλεχειριστηρίου έχουν εξαντληθεί;
	• Έχουν ρυθμιστεί σωστά το ρολόι και ο χρονοδιακόπτης;
Ανεπαρκής ψύξη ή θέρμανση	• Είναι σωστές οι ρυθμίσεις θερμοκρασίας και κατάστασης λειτουργίας;
	• Είναι καθαρά τα φίλτρα αέρα;
	• Τα παράθυρα και οι πόρτες είναι κλειστά;
	• Είναι η ροή του αέρα ανεμπόδιστη εντός και εκτός των εσωτερικών και των εξωτερικών μονάδων;
	• Είναι η ταχύτητα του ανεμιστήρα στην υψηλή ταχύτητα και οι περσίδες επιτρέπουν μέγιστη ροή του αέρα;

- **Οδηγίες, συμβουλές και προφυλάξεις**

Τα παρακάτω μπορούν να συμβούν κατά τη διάρκεια της κανονικής λειτουργίας και αυτό δεν σημαίνει δυσλειτουργία.

Περίπτωση	Εξήγηση
Η ψύξη ή η θέρμανση καθυστερεί.	Μια καθυστέρηση 3 λεπτών προστατεύει το συμπιεστή.
Η ταχύτητα του ανεμιστήρα αλλάζει - εκτός λειτουργίας, πολύ αργή και στη συνέχεια κανονική	Συμβαίνει αυτόματα στη λειτουργία θέρμανσης - εμποδίζει τα ρεύματα κρύου αέρα πάνω στα άτομα που βρίσκονται στο χώρο.
Η λειτουργία θέρμανσης σταματά ξαφνικά και αναβοσβήνει η φωτεινή ένδειξη αποπαγοποίησης.	Η διαδικασία αποπαγοποίησης της εξωτερικής μονάδας βρίσκεται σε εξέλιξη (5 – 10 λεπτά).
Βγαίνει πάχνη από την εσωτερική μονάδα.	Αυτό μπορεί να συμβεί όταν η θερμοκρασία της μονάδας είναι χαμηλή και ο αέρας του δωματίου είναι ζεστός και υγρός.
Ήχοι χαμηλής έντασης εκπέμπονται από το κλιματιστικό.	“Σφύριγμα”: φυσιολογικό - εξισορρόπηση πίεσης αερίων, όταν σταματά ή ξεκινά ο συμπιεστής.
	“Τρίξιμο”: φυσιολογική διαστολή και συστολή των πλαστικών και μεταλλικών εξαρτημάτων. Σφύριγμα - φυσιολογικό όταν η περσίδα επανέρχεται στη θέση της.
Απόρριψη σκόνης από τη μονάδα.	Μπορεί να συμβεί όταν το κλιματιστικό χρησιμοποιείται για πρώτη φορά ή δεν έχει χρησιμοποιηθεί για μεγάλο χρονικό διάστημα.
Η μονάδα εκπέμπει μια περίεργη οσμή.	Συνήθως προκαλείται από χημικές ουσίες, από τον καπνό του τσιγάρου, το μαγείρεμα, κ.λπ. Εάν δεν ισχύει κάποια από αυτές τις περιπτώσεις, καλέστε τεχνικό.
Αλλαγή σε λειτουργία ανεμιστήρα μόνο κατά την ψύξη ή τη θέρμανση.	Η θερμοκρασία δωματίου είναι η ίδια με αυτή που έχετε επιλέξει στο τηλεχειριστήριο. Σε διαφορετική περίπτωση, καλέστε τεχνικό.
Ανεπαρκής απόδοση θέρμανσης.	Μπορεί να συμβεί όταν η εξωτερική θερμοκρασία είναι κοντά ή κάτω από τους μηδέν βαθμούς Κελσίου.
Η μονάδα ενεργοποιείται αυτόματα.	Είναι φυσιολογικό όταν επανέρχεται το ηλεκτρικό ρεύμα μετά από κάποια διακοπή ρεύματος.
Η λειτουργία είναι ασταθής, απρόβλεπτη ή η μονάδα δεν ανταποκρίνεται στις εντολές.	Παρεμβολές από πύργους κινητής τηλεφωνίας και απομακρυσμένους ενισχυτές μπορεί να προκαλέσουν δυσλειτουργία της μονάδας.
	Αποσυνδέστε τη μονάδα από την παροχή ρεύματος και συνδέστε την ξανά.
	Για επανεκκίνηση της λειτουργίας της μονάδας, πατήστε το κουμπί ON/OFF του τηλεχειριστηρίου. Εάν το πρόβλημα δεν λυθεί, καλέστε τεχνικό.

## 4. ΑΝΤΙΜΕΤΩΠΙΣΗ ΠΡΟΒΛΗΜΑΤΩΝ

### ■ Επικοινωνήστε με τον αντιπρόσωπο

Σε περίπτωση που παρατηρήσετε κάποιο από τα ακόλουθα προβλήματα, απενεργοποιήστε αμέσως τη συσκευή!

- Το καλώδιο τροφοδοσίας είναι φθαρμένο ή ασυνήθιστα ζεστό.
- Υπάρχει οσμή καμένου.
- Ακούγονται δυνατοί ή μη φυσιολογικοί θόρυβοι.
- Καίγεται συχνά η ασφάλεια ή πέφτει ο ασφαλειοδιακόπτης.
- Νερό ή άλλα αντικείμενα πέφτουν μέσα ή έξω από τη μονάδα.
- Οι φωτεινές ενδείξεις αναβοσβήνουν συνεχώς.
- Εμφανίζεται ένας κωδικός βλάβης, όπως E0, E1, E2 ... ή P0, P1, P2...κ.λπ.

- Σημειώστε τον αριθμό μοντέλου του προϊόντος,
- Επικοινωνήστε με το κατάλληλο κέντρο τεχνικής εξυπηρέτησης,
- Αναφέρετε όλα τα προβλήματα που παρατηρήσατε!



### ΠΡΟΣΟΧΗ

**ΜΗΝ ΕΠΙΧΕΙΡΗΣΕΤΕ ΝΑ ΔΙΟΡΘΩΣΕΤΕ ΜΟΝΟΙ ΣΑΣ ΑΥΤΑ ΤΑ ΠΡΟΒΛΗΜΑΤΑ!  
ΕΠΙΚΟΙΝΩΝΗΣΤΕ ΜΕ ΕΞΕΙΔΙΚΕΥΜΕΝΟ ΤΕΧΝΙΚΟ ΣΥΝΤΗΡΗΣΗΣ!**



### ΠΡΟΣΟΧΗ

- Το σύστημα κλιματισμού πολλαπλών μονάδων δεν μπορεί να βρίσκεται σε διαφορετικούς τρόπους λειτουργίας ταυτόχρονα, δηλαδή μία μονάδα να βρίσκεται σε λειτουργία "ΨΥΞΗΣ" και μια άλλη μονάδα να βρίσκεται σε λειτουργία "ΘΕΡΜΑΝΣΗΣ".  
Όταν επιλέγονται διαφορετικοί τρόποι λειτουργίας, η λειτουργία "ΘΕΡΜΑΝΣΗ" θα έχει προτεραιότητα. Η εσωτερική μονάδα που λειτουργεί σε τρόπο λειτουργίας "ΨΥΞΗΣ" ή "ΑΝΕΜΙΣΤΗΡΑ" θα σταματήσει να λειτουργεί και θα εμφανίσει την ένδειξη "P5".

# SADRŽAJ

1. PROČITAJTE PRIJE UPORABE .....	2
1.1 Sigurnosne mjere .....	3
1.2 Nazivi dijelova .....	4
2. Rad uređaja .....	5
2.1 Uvjeti rada .....	5
2.2 Kako uređaj radi .....	6
2.3 Savjeti za ekonomičan rad .....	6
3. ČUVANJE I ODRŽAVANJE .....	7
4. OTKLANJANJE POTEŠKOĆA .....	8

Unutarnja jedinica	Vanjska jedinica	Radni napon i frekvencija
42QTD009DS*	38QUS009DS*	220-240V~ 50Hz
42QTD012DS*	38QUS012DS*	
42QTD018DS*	38QUS018DS*	
42QTD018D8S*	38QUS018R8S*	
42QTD018R8S*	38QUS018R8S*	
42QTD024R8S*	38QUS024R8S*	
42QTD024DS*	38QUS024DS*	
42QTD030DS*	38QUS030DS*	
42QTD036DS*	38QUS036DS*	
42QTD036R8S*	38QUS036R8S*	
42QTD048DS*	38QUS048DS*	
42QTD036DS*	38QUS036DT*	
42QTD036R8S*	38QUS036R8T*	
42QTD048DS*	38QUS048DT*	
42QTD048R8S*	38QUS048R8T*	
42QTD060DS*	38QUS060DT*	
42QTD060R8S*	38QUS060R8T*	
		IDU: 220-240 V~ 50 Hz ODU: 380-415 V 3N~ 50 Hz



**Opres: Rizik od požara samo za rashladno sredstvo R32/R290**



## **UPOZORENJE!**

Servis se provodi samo kako je preporučio proizvođač opreme. Održavanje i popravak za koje je potrebna pomoć stručnog osoblja izvodi se pod nadzorom osoba nadležnih za uporabu zapaljivih rashladnih sredstava. Za više pojedinosti pročitajte Informacije o servisiranju u PRIRUČNIKU ZA INSTALACIJU (potrebno samo za jedinice koje upotrebljavaju rashladno sredstvo R32/R290).

Proizvođač zadržava pravo izmjene bilo kojih specifikacija proizvoda bez najave.

# 1. PROČITAJTE PRIJE UPORABE

Ovaj proizvod proglašen je sukladnim s Direktivom o niskom naponu (2014/35/EZ), i Direktivom o elektromagnetskoj kompatibilnosti (2014/30/EZ) Europske unije.



## Ispravno zbrinjavanje ovog proizvoda (otpadna električna i elektronička oprema)

(Pri uporabi ovog klimatizacijskog uređaja u europskim državama potrebno je slijediti sljedeće upute)

- Ova oznaka na proizvodu ili u literaturi označava da otpadnu električnu i elektroničku opremu (WEEE, odnosno Direktiva 2012/19/EU) ne smijete pomiješati s ostalim otpadom iz kućanstva.

Zabranjeno je odlaganje ovog uređaja kao da je obični kućni otpad.

Za odlaganje postoji nekoliko mogućnosti:

1. Lokalna uprava uspostavila je sustav za prikupljanje, gdje možete u najmanju ruku besplatno odložiti elektronički otpad.
2. Pri kupnji novog uređaja prodavač će u najmanju ruku bez naknade uzeti stari uređaj.
3. Proizvođač će u najmanju ruku bez naknade uzeti natrag stari uređaj radi odlaganja.
4. Budući da stari uređaji sadrže vrijedne materijale, može ih se prodati u otkup sekundarnih sirovina.

Divlje odlaganje otpada u šumama i krajolicima ugrožava vaše zdravlje kada opasne tvari iscure u podzemne vode i uđu u hranidbeni lanac.

- Simboli korišteni u jedinicama i priručniku:

	<b>UPOZORENJE</b>	Ovaj uređaj koristi zapaljivo rashladno sredstvo. U slučaju istjecanja rashladnog sredstva ili njegovog izlaganja vanjskom izvoru paljenja postoji opasnost od požara.
	<b>OPREZ</b>	Korisnički priručnik potrebno je pažljivo pročitati.
	<b>OPREZ</b>	Servisno osoblje mora opremom rukovati u skladu s priručnikom za instalaciju.
	<b>OPREZ</b>	Dostupni su podaci poput korisničkog i instalacijskog priručnika.

**OPREZ**

- Pokretni dijelovi uređaja trebaju biti instalirani/smješteni najmanje 2.3 m od razine poda.
- ELEKTRIČNE radove može izvoditi samo ovlašteno osoblje i u skladu s nacionalnim standardima za ožičenja. Ako je oštećen kabel za napajanje, isti mora zamijeniti proizvođač, serviser ili druga kvalificirana osoba.
- Servis se provodi samo kako je preporučio proizvođač opreme.
- Održavanje i popravak za koje je potrebna pomoć stručnog osoblja izvodi se pod nadzorom osoba nadležnih za uporabu zapaljivih rashladnih sredstava.



# 1. PROČITAJTE PRIJE UPORABE

## 1.1. SIGURNOSNE MJERE

- Prije uporabe pročitajte ovaj priručnik!
- Djeca iznad 8 godina starosti i osobe sa smanjenim fizičkim, senzornim i psihičkim sposobnostima ili s manjkom iskustva i znanja mogu upotrebljavati ovaj uređaj ako su pod nadzorom ili su upućeni u sigurnu uporabu uređaja i svjesni mogućih opasnosti.
- Djeca se ne smiju igrati s uređajem. Čišćenje i održavanje uređaja ne smiju obavljati djeca bez nadzora.

### UPOZORENJE

Ovaj simbol ukazuje na mogućnost ozljede ili smrti.

- Ugradnju ovog uređaja smiju obavljati samo osobe s prikladnim kvalifikacijama i iskustvom.
- **ELEKTROINSTALACIJSKE** radove smije obavljati samo ovlašteno osoblje, i to u skladu s državnim propisima. Ako je kabel napajanja oštećen, treba ga zamijeniti proizvođač, ovlašteni serviser ili druga kvalificirana osoba kako bi se izbjegla opasnost.
- Nemojte upotrebljavati produžni kabel ni priključivati uređaj na istu utičnicu na koju su priključeni drugi uređaji.
- Ne pokušavajte sami popraviti, premjestiti ili modificirati klimatizacijski uređaj. Potražite stručnu pomoć – obratite se ovlaštenom prodavaču.  
Nepotpuni popravak ili održavanje može prouzročiti curenje vode, strujni udar ili požar.
- **Isključite uređaj primijetite li neobične mirise, zvukove ili vibracije. Obratite se ovlaštenom prodavaču.**
- **U klimatiziranom prostoru nemojte upotrebljavati zapaljive plinove ili zapaljive tvari, kao što su benzin, benzen, razrjeđivač itd.**  
To može prouzročiti požar.
- **U klimatiziranom prostoru nemojte upotrebljavati grijalice.**  
Nedovoljno prozračivanje može prouzročiti nesreće uslijed nedostatka kisika.
- **Rukovanje uređajem mokrim rukama može dovesti do strujnog udara.**
- **Dulje izlaganje izravnom strujanju hladnog zraka može dovesti do tegoba u mišićima i suhih očiju.**  
To može utjecati na vaše fizičko stanje i prouzročiti zdravstvene probleme.
- **Ne dodirujte ispuh zraka ili rešetku dok jedinica radi.**  
To može prouzročiti ozljede.
- **Ne uključujte jedinicu u vlažnim prostorijama, kao što su kupaonica ili praonica rublja.**  
To može uzrokovati strujni udar.
- **Nikada nemojte gurati šake, prste ili druge predmete u usis ili ispuh zraka.**  
To može prouzročiti ozljede jer se unutarnji ventilator vrti velikom brzinom.
- **Na jedinicu ne stavljajte nikakve predmete, posebno one koji sadrže vodu, kao što su vaze.**  
To može prouzročiti strujni udar.
- **Držite daljinski upravljač izvan dohvata male djece.**  
U suprotnom se mogu dogoditi nesreće, kao što je gutanje baterija i sl.
- **Ovaj je uređaj namijenjen isključivo uporabi u kućanstvima.**  
Uređaj za kućanstvo jest uređaj za tipične funkcije u kućanstvu koji mogu koristiti nestručni korisnici, npr. u trgovinama, uredima i drugim sličnim radnim okruženjima, seoskim kućama, hotelima, motelima i drugim rezidencijalnim okolinama.

# 1. PROČITAJTE PRIJE UPORABE

## ! OPREZ

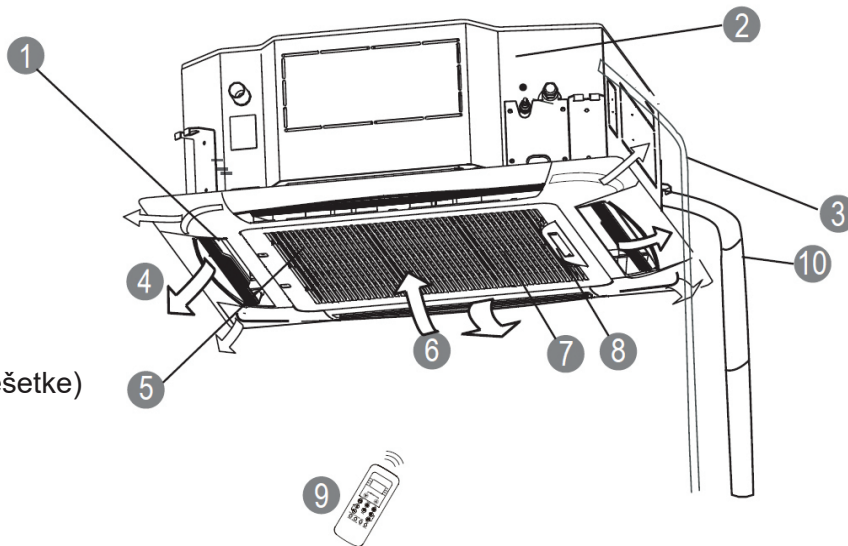
Ovaj simbol ukazuje na mogućnost materijalne štete ili ozbiljnih posljedica.

- **Proizvod je namijenjen ISKLJUČIVO ljudskoj udobnosti.**
- **Ne blokirajte usis i ispuh zraka. U suprotnom će uređaj raditi lošije uz povećanje pogonskih troškova, a radni će mu se vijek skratiti.**
- **Ne upravljajte sustavom putem glavnog prekidača.**  
To može prouzročiti požar ili curenje vode.
- **Ne dodirujte rebra izmjenjivača topline.**  
Metalni dijelovi mogu imati oštre rubove koji mogu prouzročiti ozljede.
- **Isključite uređaj iz struje prije duljih perioda nekorisćenja.**
- **Isključite uređaj PRIJE čišćenja ili servisiranja.**
- **Nikad na ovom uređaju ne koristite jake deterdžente, otapala ili abrazivna sredstva.**
- **Obavezno je redovito stručno održavanje unutarnje i vanjske jedinice.**  
Stručno ODRŽAVANJE potrebno je za dubinsko čišćenje, podmazivanje i provjeru funkcioniranja svih ključnih dijelova. Obratite se kvalificiranom servisu.

## 1.2 NAZIVI DIJELOVA

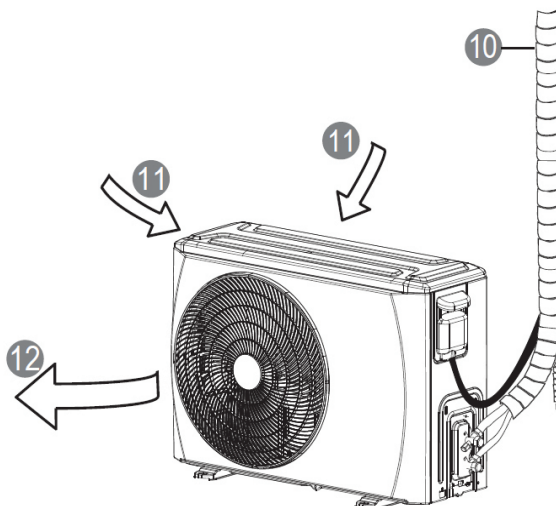
### UNUTARNJA JEDINICA

- ① Klapna
- ② Odvodna crpka
- ③ Odvodna cijev
- ④ Ispuh zraka
- ⑤ Filtar za zrak (unutar rešetke)
- ⑥ Usis zraka
- ⑦ Rešetka usisa zraka
- ⑧ Zaslون
- ⑨ Daljinski upravljač\*



### VANJSKA JEDINICA

- ⑩ Spojna cijev
- ⑪ Usis zraka
- ⑫ Ispuh zraka

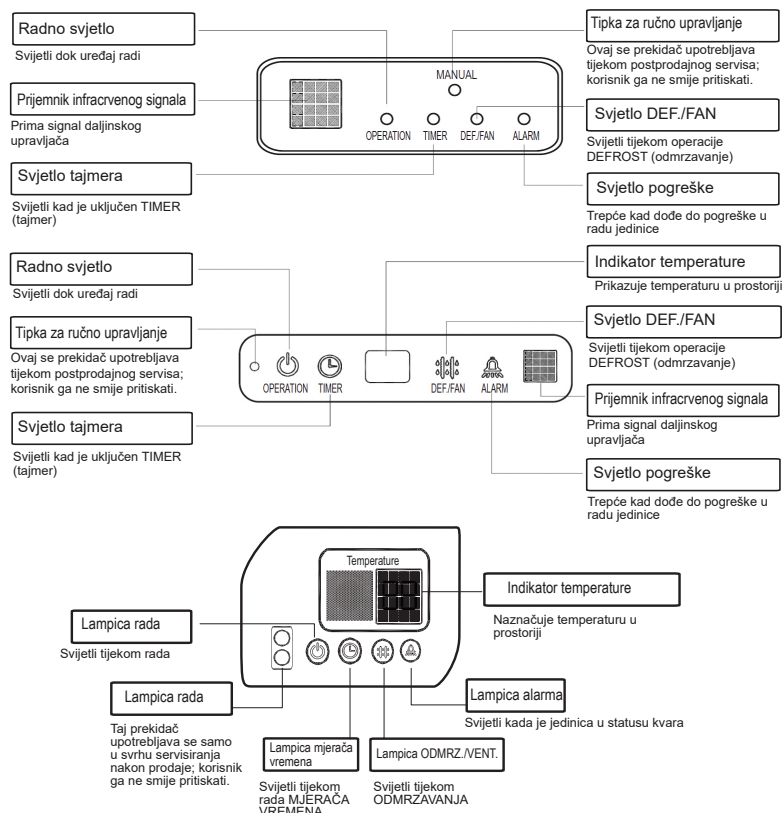


[\*] Bežični ili ožičeni daljinski upravljač: ovisno o modelu.

# 1. PROČITAJTE PRIJE UPORABE

## ZASLON

Pokazatelji funkcija na zaslonu ploče unutarnje jedinice (ovisno o modelu)



## NAPOMENA

- Sve slike u uputama koriste se isključivo u svrhu objašnjenja. Mogu se neznatno razlikovati od kupljenog klimatizacijskog uređaja (ovisno o modelu). Stvarni oblik je bitan.
- Upute za korištenje daljinskog upravljača (ožičenog ili bežičnog) uključene su u ovom paketu uputa.

## 2. RAD UREĐAJA

### 2.1 UVJETI RADA

Uvjeti rada		Unutra	Vani
Hlađenje	Gornja granica	32 °C DB	46 °C DB
	Donja granica	18 °C DB	-10 °C DB
Grijanje	Gornja granica	27 °C DB	24 °C DB
	Donja granica	0 °C DB	-15 °C DB

Napomena: DB – temperatura zraka suhe žarulje

- Optimalne performanse postižu se u ovim temperaturnim rasponima.
- Kad uređaj dugo radi izvan tih temperaturnih raspona, dijagnostika sustava može otkriti kvar i uređaj neće raditi ispravno.
- Relativna vlažnost zraka – manja od 80%. Ako klimatizacijski uređaj radi izvan ovog raspona, na površini klimatizacijskog uređaja može se stvoriti kondenzacija.
- ZA VANJSKE JEDINICE S POMOĆNIM ELEKTRIČNIM GRIJAČEM: Kada je vanjska temperatura ispod 0 °C, preporučujemo da jedinicu ostavite stalno uključenu kako bi osigurali kontinuiran rad bez poteškoća.

## 2. RAD UREĐAJA

### 2.2 KAKO UREĐAJ RADI

Osnovni načini rada: **AUTO / COOL / DRY / HEAT / FAN**

#### Način rada AUTO (automatski)

- U ovom načinu rada sustav će automatski mijenjati načine rada i brzinu ventilatora u skladu s postavljenom temperaturom.
- [U proljeće i jesen precizna kontrola temperatura može zahtijevati prebacivanje između načina rada COOL i HEAT.]

#### Način rada DRY (suho)

U ovom je načinu rada prioritet odvlaživanje zraka. To se postiže malom brzinom ventilatora i malim brojem ciklusa kompresora. Pritom se također regulira temperatura prostorije.

#### Odgoda kompresora

Pri pokretanju uređaja odgoda od 3 do 4 minute štiti kompresor.

#### Sprečavanje hladnog puhanja

Kako bi se izbjeglo neugodno hladno puhanje kada se uključi grijanje, unutarnja se jedinica zagrijava prije uključivanja ventilatora. Ta odgoda treba trajati samo nekoliko minuta.

#### Automatsko odleđivanje

Kada je uključeno grijanje, na vanjskoj se jedinici stvara led. Kako bi se taj led otopio, unutarnji ventilator zaustavlja se na nekoliko minuta prije nego što se grijanje nastavi.

#### Automatsko ponovno pokretanje\*

Uređaj će se automatski ponovno pokrenuti nakon prekida napajanja. Sve se ranije korisničke postavke zadržavaju.

#### Automatsko otkrivanje curenja\*

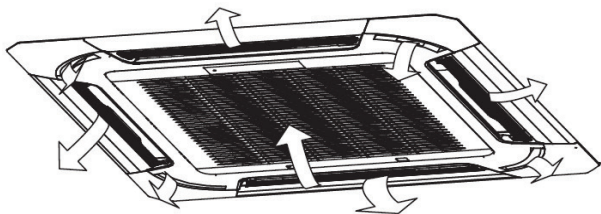
Ako uređaj otkrije curenje rashladnog sredstva, na zaslonu će se prikazati kôd „EC” ili će „LED” diode početi s treptanjem.

#### Memorija klapne\*

Kut pod kojim je postavljena horizontalna klapna memorira se i vratit će se na posljednju korisnički odabranu poziciju.

#### Podešavanje smjera protoka zraka

- Pritisnite „AIR DIRECTION” na daljinskom upravljaču kako biste prilagodili smjer okomitog protoka zraka. Pri svakom pritisku gumba klapna se malo pomiče.
- Pritiskom na „SWING” uključit ćete stalno gibanje klapne.



[\*] Ovisno o modelu

#### NAPOMENA

- Za pojedinosti pogledajte PRIRUČNIK DALJINSKOG UPRAVLJAČA.
- U načinima rada COOLING i DRY može se stvoriti kondenzat koji u uvjetima visoke vlage može kapati iz uređaja ako je klapna potpuno spuštena.
- Ne upotrebljavajte uređaj dok je klapna zatvorena ili samo malo otvorena. Ograničen protok zraka smanjuje performanse i može prouzročiti kondenzaciju.

#### ! OPREZ

Ne pokušavajte ručno namjestiti klapnu.

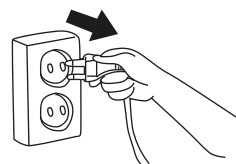
### 2.3 SAVJETI ZA EKONOMIČAN RAD

- Postavite temperaturu kako biste postigli umjerenu razinu ugodnosti. Zagrijavanje/hlađenje na previsoke/preniske temperature troši previše energije.
- Poboljšajte performanse uređaja zatvaranjem prozora i vrata.
- Ograničite vrijeme rada i time potrošnju energije korištenjem funkcije TIMER.
- Ne blokirajte usis i ispuh zraka. U suprotnom će uređaj raditi lošije uz povećanje pogonskih troškova, a radni će mu se vijek skratiti.
- Periodički provjerite filtre za zrak i po potrebi ih očistite.
- Isključite uređaj iz izvora napajanja u slučaju planiranog duljeg nekorištenja.

# 3. ČUVANJE I ODRŽAVANJE

## OPREZ

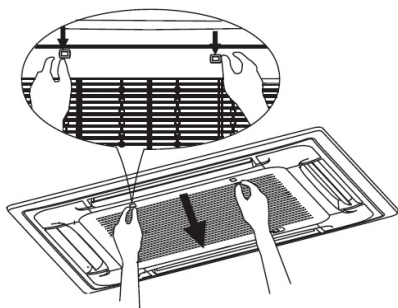
- ISKLJUČITE iz izvora napajanja PRIJE pristupanja čišćenju ili servisiranju!
- Rešetku, kućište i daljinski upravljač čistite vlažnom mekom krpom.
- Za svaki popravak ili održavanje koje nije predviđeno za korisnika, kao što su dubinsko čišćenje, podmazivanje i provjera funkcionalnosti kritičnih komponenti, obratite se kvalificiranom servisnom osoblju.



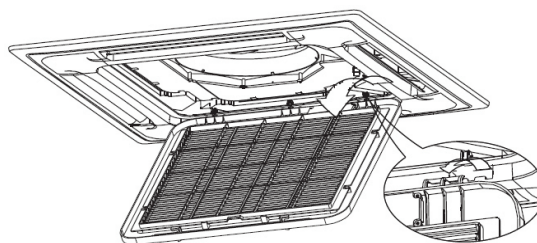
### ■ Čišćenje filtra za zrak

Obratite se kvalificiranom servisnom osoblju za servisiranje koje uključuje uklanjanje poklopaca. Radi održavanja dobrih performansi uređaja redovito pregledavajte i po potrebi čistite filtre za zrak.

- Istovremeno pritisnite oba prekidača rešetke da biste otvorili rešetku.

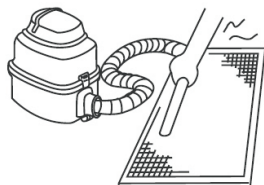
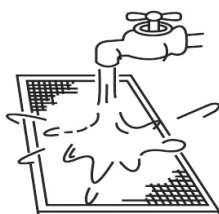


- Odspojite spojnu žicu između upravljačke kutije i zaslona. Zatim uklonite rešetku i izvadite filtar.



- Očistite filtar za zrak

Filtar za zrak može se očistiti usisivačem ili čistom vodom. U slučaju velikih nakupina prašine očistite filtar mekom četkom i blagim deterdžentom te pustite da se osuši na hladnom mjestu. Vratite filtar za zrak i rešetku usisa zraka u obrnutom redoslijedu od gore navedenog.



#### NAPOMENA:

Pri čišćenju usisivačem okrenite stranu filtra na kojoj se prikuplja prašina prema gore.  
Pri čišćenju vodom okrenite stranu filtra na kojoj se prikuplja prašina prema dolje.

### ■ Priprema za pohranu [dulja razdoblja neaktivnosti]

1. Očistite filtre za zrak.
2. U vlažnim područjima uređaj pokrenite u načinu rada FAN (ventilator) dok se uređaj ne osuši.
3. Isključite klimatizacijski uređaj daljinskim upravljačem te iz njega izvadite baterije.
4. Isključite uređaj iz izvora napajanja.

### ■ Ponovna uporaba nakon pohrane

1. Provjerite blokira li išta usis i ispuh zraka.
2. Očistite filtre za zrak.
3. Provjerite jesu li vodovi neoštećeni i ispravno uzemljeni.
4. Ponovo uključite uređaj u izvor napajanja.
5. Ako je temperatura okoline niska, čekajte 24 sata.
6. Ponovo umetnite baterije u daljinski upravljač i uključite uređaj.

## 4. OTKLANJANJE POTEŠKOĆA

- Prije nego što nazovete servis, provjerite sljedeće.

PROBLEM	PRVO PROVJERITE
Jedinica uopće ne radi	• Je li došlo do nestanka struje?
	• Je li isključena sklopka ili je ispao/izgorio osigurač?
	• Jesu li baterije u daljinskom upravljaču nove?
	• Jesu li sat i tajmer na daljinskom upravljaču ispravno postavljeni?
Slabo hlađenje ili grijanje	• Jesu li postavke temperature i načina rada ispravne?
	• Jesu li filtri za zrak čisti?
	• Jesu li prozori i vrata zatvoreni?
	• Je li protok zraka u unutarnju i vanjsku jedinicu i iz njih nesmetan?
	• Je li postavljena visoka brzina ventilatora i omogućavaju li klapne maksimalni protok zraka?

- Smjernice, savjeti i upozorenja

Sljedeće se može dogoditi tijekom normalnog rada i to ne mora značiti kvar.

Slučaj	Objašnjenje
Odgodeno grijanje ili hlađenje.	Odgoda od 3 minute štiti kompresor.
Mijenja se brzina ventilatora – isključen, potom vrlo spori rad, zatim normalan rad.	Ovo se automatski događa kad je uključeno grijanje – sprečava puhanje hladnog zraka prema ljudima u prostoriji.
Grijanje se iznenada zaustavlja, a indikator odmrzavanja trepće.	U tijeku je uklanjanje leda na vanjskoj jedinici (5 – 10 minuta).
Iz unutarnjeg uređaja izlazi maglica.	Može se dogoditi kad je uređaj postavljen na nisku temperaturu, a zrak u prostoriji je vruć i vlažan.
Klimatizacijski uređaj emitira tihe zvukove.	„Piskanje”: normalno – izjednačavanje tlaka plina pri pokretanju i zaustavljanju kompresora.
	„Škripanje”: uobičajeno rastezanje i stiskanje plastičnih i metalnih dijelova.
	Šum pri strujanju zraka – uobičajeno kad klapna mijenja položaj.
Uređaj izbacuje prašinu.	Može se dogoditi kad se klimatizacijski uređaj uključuje po prvi put ili nakon duljeg razdoblja bez uporabe.
Uređaj ispušta neobičan miris.	Obično su uzrok kemikalije, dim cigareta, kuhanje itd. Ako je uzrok neki drugi, obratite se serviseru.
Uređaj s hlađenja ili grijanja prelazi samo u način rada ventilatora.	Temperatura prostorije jednaka je onoj odabranoj daljinskim upravljačem. Ako to nije slučaj, obratite se serviseru.
Slabo grijanje.	Može se dogoditi kad su vanjske temperature blizu ili ispod 0 °C.
Uređaj se automatski uključuje.	Uobičajeno ponašanje nakon nestanka struje.
Uređaj radi nepouzdana, nepredvidljivo i ne odgovara na naredbe.	Interferencija iz telekomunikacijskih tornjeva i repetitora može uzrokovati smetnje u radu uređaja.
	Isključite uređaj iz struje i ponovo ga uključite.
	Pritisnite tipku ON/OFF na daljinskom upravljaču kako biste resetirali uređaj.
	Ako se problem ne otkloni, obratite se serviseru.

## 4. OTKLANJANJE POTEŠKOĆA

### ■ Obratite se prodavaču.

U slučaju BILO ČEGA od navedenog, odmah isključite uređaj!

- Naponski je kabel oštećen ili neobično vruć.
- Miris gorenja u zraku.
- Glasni i neuobičajeni zvukovi.
- Često ispadanje/izgaranje osigurača.
- Voda ili druge tvari padaju u uređaj ili iz njega.
- Indikatori neprestano trepću.
- Prikazan je samodijagnostički kôd, npr. E0, E1, E2... ili P0, P1, P2... itd.

- Zabilježite broj modela uređaja.
- Obratite se odgovarajućem serviseru.
- Obavijestite ga o svim primijećenim pojedinostima problema!



### OPREZ

NE POKUŠAVAJTE SAMI ISPRAVITI OVE POGREŠKE!  
OBRATITE SE KVALIFICIRANOM SERVISU!



### OPREZ

- Višestruki sustav klimatizacije zraka ne može istovremeno biti u više načina rada, npr. da jedna jedinica bude u načinu rada „COOL” (hlađenje), a druga u načinu rada „HEAT” (grijanje). Kod izvođenja različitih načina rada prednost se daje načinu rada „HEAT” (grijanje). Unutarnja jedinica koja radi u načinu rada „COOL” (hlađenje) ili „FAN” (ventilator) prestat će s radom i prikazivati kôd „P5”.

# TARTALOM

1. MŰKÖDTETÉS ELŐTTI TUDNIVALÓK .....	2
1.1. Biztonsági óvintézkedések .....	3
1.2. Az alkatrészek neve .....	4
2. MŰKÖDTETÉS .....	5
2.1. Üzemeltetési feltételek .....	5
2.2. Működési üzemmódok .....	6
2.3. Tanácsok a gazdaságos üzemeltetéshez .....	6
3. GONDOZÁS ÉS KARBANTARTÁS .....	7
4. HIBAELHÁRÍTÁS .....	8

Beltéri egység	Kültéri egység	Névleges feszültség és Hz
42QTD009DS*	38QUS009DS*	220-240V~ 50Hz
42QTD012DS*	38QUS012DS*	
42QTD018DS*	38QUS018DS*	
42QTD018D8S*	38QUS018R8S*	
42QTD018R8S*	38QUS018R8S*	
42QTD024R8S*	38QUS024R8S*	
42QTD024DS*	38QUS024DS*	
42QTD030DS*	38QUS030DS*	
42QTD036DS*	38QUS036DS*	
42QTD036R8S*	38QUS036R8S*	
42QTD048DS*	38QUS048DS*	
42QTD036DS*	38QUS036DT*	
42QTD036R8S*	38QUS036R8T*	
42QTD048DS*	38QUS048DT*	
42QTD048R8S*	38QUS048R8T*	
42QTD060DS*	38QUS060DT*	
42QTD060R8S*	38QUS060R8T*	
		IDU: 220-240V~ 50Hz ODU: 380-415V 3N~ 50Hz



**Figyelmeztetés: Tűzveszély csak az R32/R290 hűtőközegnél**



## **FIGYELEM!**

A karbantartást a készülék gyártója által előírt módon kell elvégezni. A szakképzett személyzet segítségét igénylő karbantartási és javítási műveleteket gyúlékony hűtőközegek használatában illetékes személy felügyelete alatt kell elvégezni. További részletekért olvassa el az INSTALLATION MANUAL (Szervizelési kézikönyv) című részt (ez csak akkor szükséges, ha az egység az R32 / R290 hűtőközeget alkalmazza)

A gyártó fenntartja magának jogot a termék műszaki adatainak előzetes értesítés nélküli megváltoztatására.



# 1. MŰKÖDTETÉS ELŐTTI TUDNIVALÓK

A termékről megállapították, hogy megfelel az Európai Unió kisfeszültségű berendezésekre vonatkozó irányelvének (2014/35/EK) és az elektromágneses zavarvédelemre vonatkozó irányelvének (2014/30/EK).



## A termék hulladékként való kezelése (hulladék elektromos és elektronikus berendezés)

(A légkondicionáló európai országokban való használatakor a következő útmutatást kell követni)

- A terméken vagy annak szakirodalmán feltüntetett jelölés azt jelzi, hogy az elektromos és elektronikus berendezések hulladékait (WEEE, mint a 2012/19 / EU irányelv szerint) nem szabad összekeverni az általános háztartási hulladékkal.

Ezt a készüléket tilos kommunális hulladékban elhelyezni.

Az ártalmatlanításra különböző lehetőségek vannak:

1. Hatóságilag működtetett hulladékkezelő rendszer, ahol az elektronikus hulladékot a felhasználó ingyenesen kidobhatja.
2. Új termék vásárlásakor a kereskedő ingyenesen átveszi a régi terméket.
3. A gyártó ingyenes visszaveszi ártalmatlanításra a régi készüléket a felhasználótól.
4. Mivel a régi termékek értékes nyersanyagokat tartalmaznak, ezért eladhatók hulladékfém-felvásárlóknak.

A hulladék erdőben és környezetben történő elhelyezése veszélyezteti az ön egészségét, mivel veszélyes anyagok szivároghatnak be a talajvízbe és bejuthatnak a táplálékláncba.

- Az egységekben és a kézikönyvben használt szimbólumok:

	<b>FIGYELEM</b>	A készülék gyúlékony hűtőközeget használ. Ha a hűtőközeg szivárog és külső gyújtóforrásnak van kitéve, tűzveszély áll fenn.
	<b>VIGYÁZAT</b>	A kezelési útmutatót alaposan el kell olvasni.
	<b>VIGYÁZAT</b>	A szervizszemélyzetnek a telepítési kézikönyv alapján kell kezelnie a berendezést.
	<b>VIGYÁZAT</b>	Az információ rendelkezésre áll, pl. az üzemeltetési kézikönyv vagy a telepítési kézikönyv.

**VIGYÁZAT**

- A készülék mozgó alkatrészeit a padlótól legalább 2,3 méteres magasságban kell felszerelni/elhelyezni.
- Az ELEKTROMOS munkát csak szakképzett személyzet végezheti el, és a nemzeti szabványok szerint. Ha a tápkábel megsérül, a veszély elkerülése érdekében a gyártónak, a szervizszakemberének vagy hasonlóan képzett szakembereinek kell cserélni.
- A karbantartást a készülék gyártója által előírt módon kell elvégezni.
- A szakképzett személyzet segítségét igénylő karbantartási és javítási műveleteket gyúlékony hűtőközegek használatában illetékes személy felügyelete alatt kell elvégezni.

# 1. MŰKÖDTETÉS ELŐTTI TUDNIVALÓK

## 1.1. BIZTONSÁGI ÓVINTÉZKEDÉSEK

- A termék használata előtt olvassa el ezt az útmutatót!
- A készüléket 8 éves kor feletti gyermekek, valamint csökkent fizikai, érzékelési, vagy mentális képességgel rendelkező, illetve kellő tapasztalattal vagy tudással nem rendelkező felnőttek is használhatják, amennyiben számukra megfelelő felügyeletet és iránymutatást biztosítottak a biztonságos alkalmazást illetően, bemutatva a használat veszélyeit is.
- A gyermekek nem játszhatnak a készülékkel. A tisztítást és a karbantartást gyermekek felügyelet nélkül nem végezhetik.

### VIGYÁZAT

Ez a szimbólum személyi és akár életveszélyes sérülés lehetőségét jelzi.

- **A termék telepítését kizárólag megfelelően képzett és gyakorlott személy hajthatja végre.**
- **Az elektromos szerelést kizárólag erre jogosult személy végezheti az országos kábelezési szabvány betartásával. Ha a tápkábel sérült, azt a veszély elkerülése érdekében a gyártóval vagy a szervizzel, illetve az erre megfelelően képzett személlyel ki kell cseréltetni.**
- **Ne használjon hosszabbítókábelt, és ugyanazt a tápaljzatot ne ossza meg más berendezésekkel.**
- **Ne kísérelje meg a légkondicionáló javítását, áthelyezését és módosítását. Kérje szakember segítségét – forduljon a jogosult forgalmazóhoz.**  
A hiányos javítás vagy karbantartás vízvívárgást, áramütést vagy tüzet okozhat.
- **Kapcsolja ki a készüléket, ha szokatlan szagot, hangot vagy rezgést észlel. Forduljon a jogosult forgalmazóhoz.**
- **A szabályozott légtérben ne használjon gyúlékony gázt vagy éghető anyagokat, például benzint, benzolt, hígítót stb.**  
Ez tüzet okozhat.
- **A szabályozott légtérben ne használjon fűtőberendezést.**  
Az elégtelen szellőzés az oxigénhiány miatt balesetet okozhat.
- **A nedves kézzel való működtetés áramütést okozhat.**
- **A léghez való hosszabb idejű kitettség izomfájdalmat és szemkiszáradást okozhat.**  
Ez hatással lehet fizikai állapotára, és egészségügyi problémákat okozhat.
- **A készülék működése közben ne érjen hozzá a légkiömlő nyíláshoz vagy a légtelítőhöz.**  
Ez sérülést okozhat.
- **Ne üzemeltesse a légkondicionálót nedves környezetben, például fürdőszobában vagy mosókonyhában.**  
Ennek figyelmen kívül hagyása áramütést okozhat.
- **Ne helyezze be kezét, ujját vagy más tárgyat a levegőbemeneti és -kimeneti nyílásokba.**  
Ez sérülést okozhat, mivel a belső ventilátor magas fordulatszámon működik.
- **Ne helyezzen tárgyakat a készülékre, különösen ne vizet tartalmazó eszközöket, például vázát.**  
Ez áramütést okozhat.
- **A távirányítót tartsa a gyermekektől távol.**  
Ennek be nem tartása az elemek lenyeléséhez vagy más balesethez vezethet.
- **A készülék kizárólag háztartási környezetben való használatra készült.**  
Az ilyen készülékek használata nem igényel különösebb szakértelmet, és a szokásos háztartási funkciók ellátására szolgálnak háztartási környezetben, ilyenek például az üzletek, irodák, tanyaházak, szállodák, motelek.

# 1. MŰKÖDTETÉS ELŐTTI TUDNIVALÓK

## ! FIGYELMEZTETÉS

Ez a szimbólum anyagi kár és súlyos következmények lehetőségét jelzi.

- A termék **KIZÁRÓLAG** az emberek kényelmét szolgálja.
- Ne torlaszolja el a levegőbemeneti és -kimeneti nyílásokat. Ez gyenge teljesítményt, növekvő üzemeltetési költségeket és rövidebb élettartamot okoz.
- A rendszert ne a tápkapcsolóval vezérelje.  
Ez tüzet vagy vízszivárgást okozhat.
- Ne érjen hozzá a hőcserélő bordáihoz.  
A fém alkatrészek éles szélei sérülést okozhatnak.
- Húzza ki a csatlakozódugót, ha hosszabb ideig nem használja a készüléket.
- Tisztítás és karbantartás előtt válassza le a tápellátást.
- Soha ne használjon erős mosószert, oldószert vagy súrolószert a terméken.
- A beltéri és a kültéri egység rendszeres, alapos karbantartása alapvető fontosságú.  
A belső részek tisztítását, kenését és a kritikus alkatrészek működésének ellenőrzését csak szakember végezheti. Ehhez kérje megfelelően képzett személy segítségét.

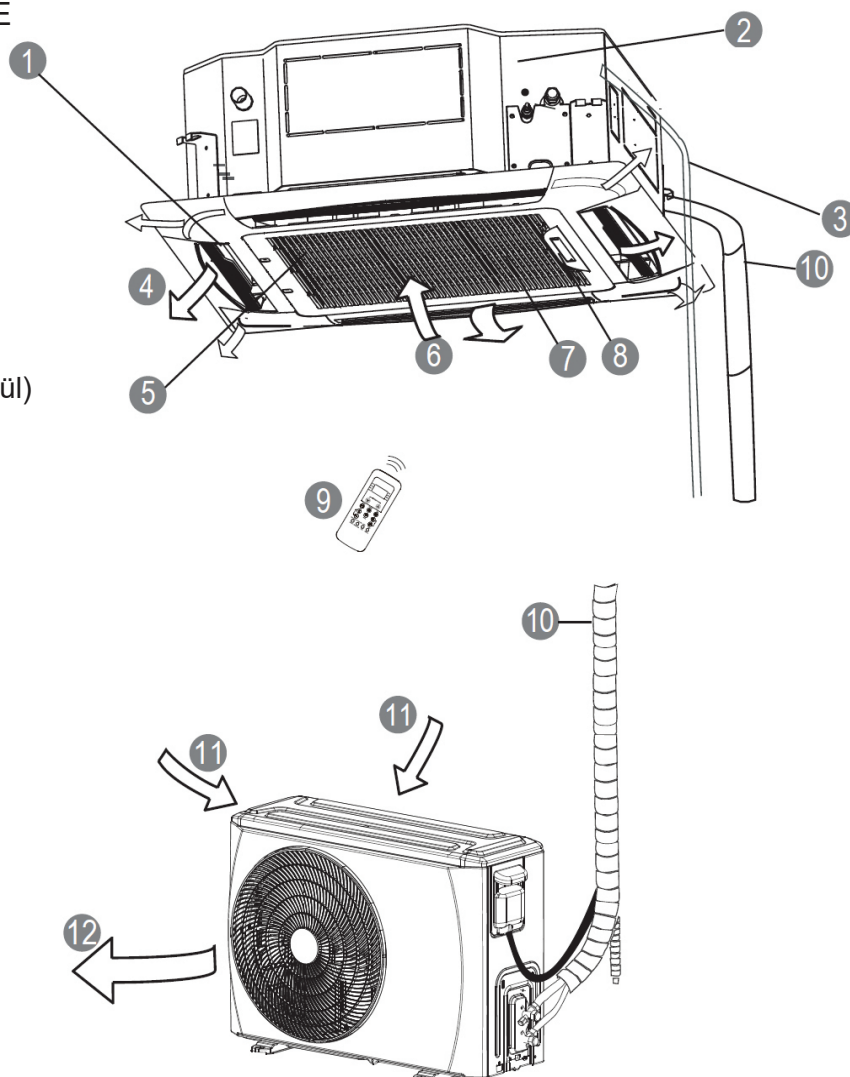
## 1.2. AZ ALKATRÉSZEK NEVE

### BELTÉRI EGYSÉG

- ① Légnylás
- ② Leeresztőszivattyú
- ③ Leeresztőtömlő
- ④ Levegőkimenet
- ⑤ Légszűrő (a rácson belül)
- ⑥ Levegőbemenet
- ⑦ Levegőbemeneti rács
- ⑧ Kijelző
- ⑨ Távirányító\*

### KÜLTÉRI EGYSÉG

- ⑩ Csatlakozócső
- ⑪ Levegőbemenet
- ⑫ Levegőkimenet

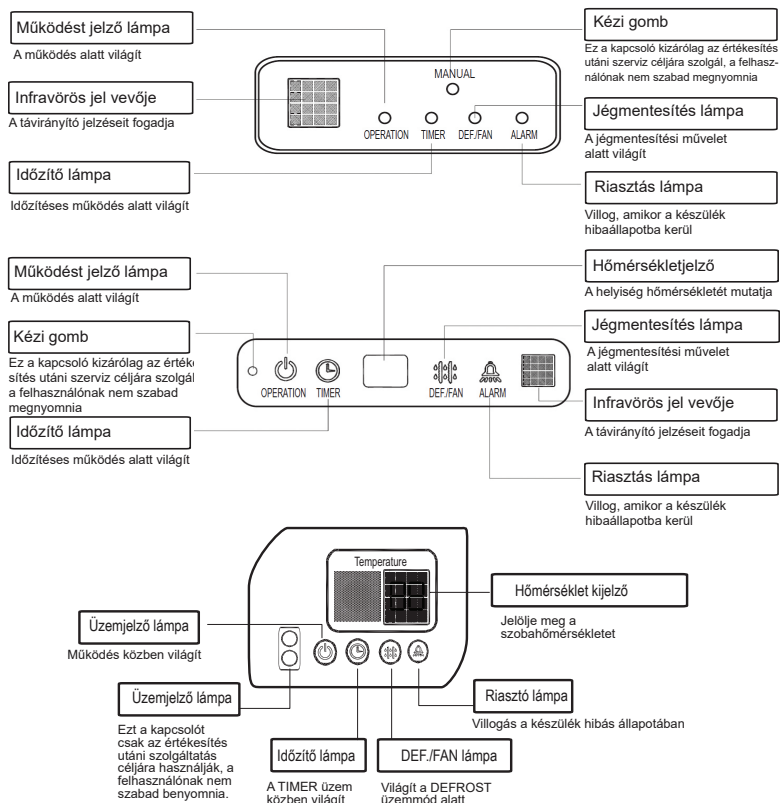


[\*] Távirányító vagy vezetékes vezérlő: típustól függően.

# 1. MŰKÖDTETÉS ELŐTTI TUDNIVALÓK

## KIJELZŐ

Funkciógombok a beltéri egység kijelzőpaneljén (modelltől függően)



## MEGJEGYZÉS

- Az útmutatóban található összes kép csak tájékoztatásul szolgál. Ezek némileg eltérhetnek a megvásárolt légkondicionálótól (típustól függően). A tényleges kialakítást kell figyelembe venni.
- A távirányító (vagy a vezetékes vezérlő) használati útmutatója megtalálható a csomagban.

# 2. MŰKÖDTETÉS

## 2.1. ÜZEMELTETÉSI FELTÉTELEK

Üzemeltetési feltételek		Beltér	Kültér
Hűtési művelet	Felső határérték	32°C DB	46°C DB
	Alsó határérték	18°C DB	-10°C DB
Fűtési művelet	Felső határérték	27°C DB	24°C DB
	Alsó határérték	0°C DB	-15°C DB

Megjegyzés: DB – száraz hőmérséklet

- Az optimális teljesítmény ezen működési hőmérsékleteken belül érhető el.
- Ha a készüléket hosszabb ideig ezen határértékek fölött vagy alatt működtetik, a rendszerdiagnosztika hibát észlelhet, és a készülék nem fog megfelelően működni.
- Helyiség relatív páratartalma 80% alatti. Ha a légkondicionálót ezen tartományon kívül működtetik, akkor a légkondicionáló felülete vonzhatja a kondenzációt.
- KÜLTÉRI EGYSÉGEKHEZ KIEGÉSZÍTŐ ELEKTROMOS FŰTŐVEL: Ha a külső hőmérséklet 0°C alatt van, akkor azt javasoljuk, hogy a készülék folyamatosan be legyen dugva a folyamatos működés érdekében.

## 2. MŰKÖDTETÉS

### 2.2. MŰKÖDÉSI ÜZEMMÓDOK

Alapvető működési üzemmódok: **AUTO / COOL / DRY / HEAT / FAN**

#### Automatikus üzemmód

- Választásakor a rendszer a beállított hőmérsékletnek megfelelően automatikusan váltja az üzemmódokat és a ventilátor fordulatszámát.
- Tavasszal és ősszel a pontosabb hőmérséklet-szabályozás érdekében szükség lehet hűtés/fűtés üzemmód váltására.

#### Szárítás üzemmód

Ebben az üzemmódban az elsődleges szempont a levegő páramentesítése. Ennek eléréséhez a ventilátor kis fordulatszámon és a kompresszor alacsony frekvencián üzemel a helyiség hőmérsékletének szabályozásához.

#### A kompresszor késleltetése

A készülék indításakor 3-4 perces késleltetés védi a kompresszort.

#### Hideg léghuzat megelőzése

Fűtés üzemmódban a kellemetlen léghuzat elkerülése érdekében a ventilátor indítása előtt a beltéri egységnél előfűtésre kerül sor. Ez a késleltetés legfeljebb néhány percig tart.

#### Automatikus jégmentesítés

A fűtés üzemmódban jég képződik a kültéri egységen. Ennek a jégnek a leolvasztásához a fűtés folytatása előtt a beltéri ventilátor működése néhány percre leáll.

#### Automatikus újraindítás\*

Áramkimaradás után a készülék automatikusan újraindul. Az összes előző felhasználói beállítás helyre lesz állítva.

#### Automatikus szivárgásészlelés\*

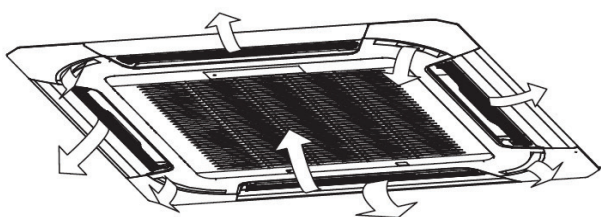
Ha a hűtőközeg szivárgása észlelhető, ezt a készüléken az EC kód vagy villogó LED jelzi.

#### A légnylás helyzetének megőrzése\*

A légnylás szögét megőrzi a rendszer, és azt a felhasználó által legutóbb választott helyzetbe állítja vissza.

#### A légáramlás irányának beállítása

- A légáramlás irányának beállításához nyomja meg az AIR DIRECTION gombot a távirányítón. A légnylás helyzete minden gombnyomásra némileg változik.
- Nyomja meg a SWING gombot a légnylás folyamatos mozgatásának beállításához.



[\*] Típusfüggő

#### MEGJEGYZÉS

- A részleteket lásd a távirányító útmutatójában.
- Hűtés vagy szárítás üzemmódban lecsapódás alakulhat ki, és magas páratartalomnál víz csöpöghet a készülékből.
- Ne üzemeltesse a légkondicionálót lezárt vagy szűken nyitott légnylással. A korlátozott légáramlás rontja a teljesítményt, és lecsapódást okozhat.

#### ! FIGYELMEZTETÉS

Ne kísérelje meg kézzel beállítani a légnylást.

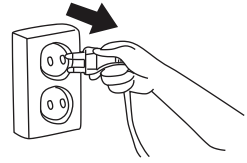
### 2.3. TANÁCSOK A GAZDASÁGOS ÜZEMELTETÉSHEZ

- A hőmérsékletet a mérsékelt kényelmi szinthez állítsa be. A túlzottan alacsony vagy magas hőmérséklet pazarolja az energiát.
- A teljesítmény javítása érdekében tartsa becsukva az ablakokat és az ajtókat.
- Az energiafelhasználás korlátozásához használja az időzítő funkciót.
- Ne torlaszolja el a levegőbemeneti és -kimeneti nyílásokat. Ez gyenge teljesítményt, növekvő üzemeltetési költségeket és rövidebb élettartamot okoz.
- Rendszeres időközönként ellenőrizze a légszűrőket, és szükség szerint tisztítsa meg ezeket.
- Válassza le a készüléket a tápforrásról, ha hosszabb ideig nem használja.

# 3. GONDOZÁS ÉS KARBANTARTÁS

## FIGYELMEZTETÉS

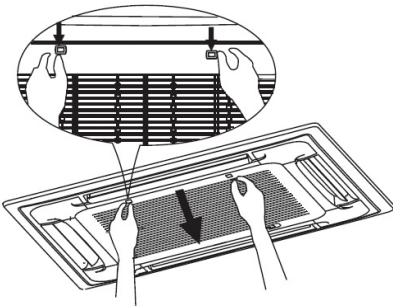
- Tisztítás és karbantartás előtt válassza le a tápellátást.
- A rács, a ház és a távirányító tisztításához használjon enyhén nedves ruhát.
- Mindig kérje megfelelően képzett szakember segítségét a javításhoz és a felhasználó által nem végrehajtható karbantartáshoz, ilyen a belső részek tisztítása, kenése és a kritikus alkatrészek működésének ellenőrzése.



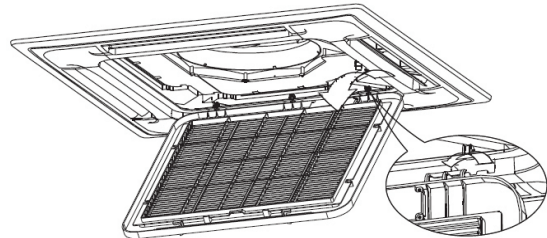
### ■ A légszűrő tisztítása

Kérje képzett szakember segítségét a burkolatok eltávolítását magában foglaló karbantartás végrehajtásához. A megfelelő teljesítmény fenntartása érdekében rendszeres időközönként ellenőrizze a légszűrőket, és szükség szerint tisztítsa meg ezeket.

– A rács kinyitásához nyomja meg egyidejűleg a két rácskapcsolót.

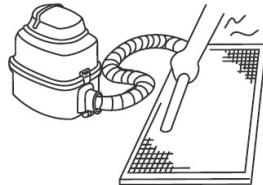


– Válassza le a vezérlő és a kijelző közötti csatlakozókábelt. Ezután vegye le a rácsot, és vegye ki a szűrőt.



– Tisztítsa meg a légszűrőt.

Porszívó vagy tiszta víz használható a légszűrő tisztításához. Ha túl sok por gyűlt össze, használjon puha kefért vagy enyhe mosószert a tisztításhoz, majd hagyja hűvös helyen kiszáradni. Helyezze vissza a légszűrőt és a rácsot a fenti műveletek fordított sorrendű végrehajtásával.



### MEGJEGYZÉS:

A levegőbemenetnek felfelé kell állnia, ha porszívót használ.  
A levegőbemenetnek lefelé kell állnia, ha vizet használ.

### ■ Tárolás előtti műveletek [hosszú üzemszünetnél]

1. Tisztítsa meg a légszűrőket.
2. Nedves és párás környezetben a készülék kiszáradásáig működtesse a Ventilátor üzemmódot.
3. Kapcsolja ki a légkondicionálót a távirányítóval, és vegye ki az elemeket a távirányítóból.
4. Válassza le a készüléket a tápforrásról.

### ■ ... Tárolás utáni újbóli használat

1. Ellenőrizze, hogy nincsenek-e akadályok a levegőbemenet vagy -kimenet útjában.
2. Tisztítsa meg a légszűrőket.
3. Ellenőrizze a vezetékeket, hogy nincs-e sérülés, és hogy megfelelő-e a földelés.
4. Csatlakoztassa a készüléket a tápforráshoz.
5. Alacsony környezeti hőmérsékletnél várjon 24 órát.
6. Tegye be az elemeket a távirányítóba, és kapcsolja be a készüléket.

# 4. HIBAELHÁRÍTÁS

■ A szerviz hívása előtt hajtsa végre a következő ellenőrzéseket.

JELENSÉG	ELŐSZÖR ELLENŐRIZZE EZEKET!
A készülék egyáltalán nem működik	• Áramszünet van?
	• Ki lett kapcsolva a kapcsoló, kioldott a megszakító vagy kiolvadt a biztosíték?
	• Megfelelőek az elemek a távirányítóban?
	• Helyes az óra és az időzítő beállítása a távirányítón?
Elégtelen hűtés vagy fűtés	• Megfelelő a hőmérséklet és az üzemmód beállítása?
	• Tiszták a légszűrők?
	• Be vannak csukva az ablakok és az ajtók?
	• Akadálymentes a be- és kimeneti légáramlás a beltéri és a kültéri egységen?
	• Magas a ventilátor fordulatszáma, és a légnyílások lehetővé teszik a maximális áramlást?

■ **Útmutatások, tanácsok és figyelmeztetések**

A következő esetek normális működésnél fordulhatnak elő, és nem utalnak hibára.

Eset	Magyarázat
Késleltetett hűtés vagy fűtés.	3 perces késleltetés védi a kompresszort.
Ventilátor fordulatszámának változása – kikapcsolt, nagyon lassú, majd szokásos	Automatikusan történik fűtés üzemmódban – a hideg levegő beáramlását akadályozza meg.
A fűtési művelet hirtelen leáll, és a jégmentesítő jelzőlámpa villog.	Jégeltávolítás van folyamatban a kültéri egységen (5–10 perc).
Pára távozik a beltéri egységből	Akkor fordulhat elő, amikor alacsony a készülék hőmérséklete, és meleg és nedves a helyiség levegője.
A légkondicionálóból kibocsátott kis erősségű hangok.	„Sziszegés”: normális – a gáznyomás kiegyenlítődése a kompresszor leállásakor vagy indulásakor.
	„Nyikorgás”: normális – a műanyag és a fém alkatrészek tágulása és összehúzódása.
	Légáramlás: normális – a légnyílás alaphelyzetbe állása.
Por távozik a készülékből.	Akkor fordulhat elő, amikor első alkalommal vagy hosszú üzemszünet után használják a légkondicionálót.
Jellegzetes szag észlelhető.	Rendszerint vegyszer, cigarettafüst, főzés stb. okozza. Ellenkező esetben forduljon a megfelelő szervizhez.
Csak a ventilátor változása hűtéskor vagy fűtéskor.	A helyiség hőmérséklete megegyezik a távirányítón választott hőmérséklettel. Ellenkező esetben forduljon a megfelelő szervizhez.
Elégtelen fűtési teljesítmény	Akkor fordulhat elő, amikor a külső hőmérséklet nulla Celsius-fok közeli vagy alatti.
Automatikus bekapcsolás	Normális az áramszünet után a tápellátás helyreállásakor.
Egyenetlen, kiszámíthatatlan vagy nem reagáló működés	A mobiltelefonok tornyaival és a távoli teljesítményerősítőkkel való interferencia a készülék hibás működését okozhatja.
	Válassa le a tápellátást, majd csatlakoztassa újra.
	A működés visszaállításához nyomja meg a távirányítón az On/Off gombot.
	Ha probléma továbbra is fennáll, forduljon a megfelelő szervizhez.

## 4. HIBAELHÁRÍTÁS

### ■ Forduljon a forgalmazóhoz

A következő esetek bármelyikének előfordulásakor haladéktalanul kapcsolja ki a készüléket!

- A tápkábel sérült vagy rendellenesen meleg.
  - Égőszag észlelhető.
  - Hangos vagy rendellenes hangok hallhatók.
  - A tápbiztosíték rendszeresen kiég, vagy a megszakító gyakran kiold.
  - Vízzel vagy más tárgyak esnek a készülékre vagy abból.
  - A jelzők folyamatosan villognak.
  - Öndiagnosztikai kód jelenik meg, például E0, E1, E2 ... vagy P0, P1, P2... stb.
- Jegyezze fel a termék típuszámát.
  - Forduljon a megfelelő szervizhez.
  - Írja le részletesen a felmerült problémát.

### FIGYELMEZTETÉS

EZEKET NE KÍSÉRELJE MEG ÖNÁLLÓAN JAVÍTANI!  
EHHEZ KÉRJE MEGFELELŐEN KÉPZETT SZEMÉLY SEGÍTSÉGÉT.

### FIGYELMEZTETÉS

- A multi rendszerű légkondicionáló egyes egységei nem tudnak a többi egységtől eltérő üzemmódban működni, például úgy, hogy az egyik Hűtés, a másik pedig Fűtés üzemmódban legyen. Különböző üzemmódok megadásakor a rendszer a Fűtés üzemmódnak ad elsőbbséget. A Hűtés vagy Ventilátor üzemmódban működő beltéri egység leáll, és a P5 hibakód jelenik meg.



# СОДРЖИНА

1. ПРОЧИТАЈТЕ ПРЕД РАКУВАЊЕ .....	2
1.1 Мерки за претпазливост .....	3
1.2 Имиња на деловите .....	4
2. РАБОТЕЊЕ .....	5
2.1 Работни услови .....	5
2.2 Како работи .....	6
2.3 Совети за економично работење .....	6
3. ГРИЖА И ОДРЖУВАЊЕ .....	7
4. РЕШАВАЊЕ ПРОБЛЕМИ .....	8

Внатрешна единица	Надворешна единица	Номинален напон и Hz
42QTD009DS*	38QUS009DS*	220-240V~ 50Hz
42QTD012DS*	38QUS012DS*	
42QTD018DS*	38QUS018DS*	
42QTD018D8S*	38QUS018R8S*	
42QTD018R8S*	38QUS018R8S*	
42QTD024R8S*	38QUS024R8S*	
42QTD024DS*	38QUS024DS*	
42QTD030DS*	38QUS030DS*	
42QTD036DS*	38QUS036DS*	
42QTD036R8S*	38QUS036R8S*	
42QTD048DS*	38QUS048DS*	
42QTD036DS*	38QUS036DT*	
42QTD036R8S*	38QUS036R8T*	
42QTD048DS*	38QUS048DT*	
42QTD048R8S*	38QUS048R8T*	
42QTD060DS*	38QUS060DT*	
42QTD060R8S*	38QUS060R8T*	



**Внимание: Ризик од пожар само за R32/R290 средство за ладење**

## ПРЕДУПРЕДУВАЊЕ!

Севисирањето треба да се врши само според препораките на производителот на опремата. Одржувањето и поправката за кои е потребна помош од друг стручен персонал, ќе се врши под надзор на лице компетентно за користење на запалливи средства за ладење. За повеќе детали, ве молиме погледнете во набљудување на информациите во ПРИРАЧНИКОТ ЗА ИНСТАЛИРАЊЕ. (Ова е потребно само за единиците кои прифаќаат R32/R290 средство за ладење)

Производителот го задржува правото за промена на некои спецификации без претходна најава.

# 1. ПРОЧИТАЈТЕ ПРЕД РАКУВАЊЕ

Утврдено е дека овој производ е во согласност со Директивата за низок напон (2014/35/ЕС), и Директивата за електромагнетна компатибилност (2014/30/ЕС) на Европската унија.



## Правилно отстранување на овој производ (Отпад од електрична и електронска опрема)

(Кога се користи овој клима уред во европските земји треба да се следат следниве насоки)

- Оваа ознака прикажана на производот или во литературата за него, укажува на тоа дека електричниот отпад и електричната опрема (WEEE како што е наведено во директивата 2012/19/ЕУ) не би смееле да се мешаат со општиот отпад од домаќинството

Се забранува отстранувањето на овој апарат во отпадот од домаќинството.

Постојат неколку можности за отстранување:

1. Во општината има воспоставено систем за собирање каде што корисникот може бесплатно да го отстрани електронскиот отпад.
2. При купувањето нов производ, трговецот ќе го земе стариот производ бесплатно.
3. Производителот ќе го земе стариот апарат и ќе го отстрани бесплатно за корисникот.
4. Бидејќи старите производи содржат вредни ресурси, може да се продадат на дилерите со стар метал.

Отстранувањето на отпадот на диво, во шуми и во природа го загрозува вашето здравје кога опасни супстанции истекуваат во подземните води и преку тоа доаѓаат до синџирот на исхрана.

- Символи користени во единиците и прирачникот:

	<b>ПРЕДУПРЕДУВАЊЕ</b>	Овој апарат користи запалливо средство за ладење. Ако средството за ладење истече и биде изложено на надворешен извор на палење, постои ризик од појава на пожар.
	<b>ВНИМАНИЕ</b>	Прирачникот за користење треба внимателно да се прочита.
	<b>ВНИМАНИЕ</b>	Сервисниот персонал треба да ракува со оваа опрема според упатствата од прирачникот за инсталирање.
	<b>ВНИМАНИЕ</b>	Информациите се достапни во прирачникот за користење и во прирачникот за инсталирање.



**ВНИМАНИЕ**

- Подвижните делови на апаратот треба да се монтираат/лоцираат на ниво, не помало од 2.3m од подот.
- ЕЛЕКТРИЧНАТА работа може да се изведува единствено од страна на овластен персонал и во согласност со националните стандарди за ожичување. Доколку кабелот за напојување е оштетен, мора да биде заменет од страна на производителот, неговиот сервисен агент, или некои слични квалификувани лица, за да се избегне изложување на опасност.
- Севисирањето треба да се врши само според препораките на производителот на опремата.
- Одржувањето и поправката за кои е потребна помош од друг стручен персонал, ќе се врши под надзор на лице компетентно за користење на запалливи средства за ладење.

# 1. ПРОЧИТАЈТЕ ПРЕД РАКУВАЊЕ

## 1.1 МЕРКИ ЗА ПРЕТПАЗЛИВОСТ

- Прочитајте го ова упатство пред да го користите производот!
- Овој уред може да се користи од деца на возраст од 8 години и постари и лица со намалени физички, сензорни или ментални способности или со недостаток на искуство и знаење, ако тие се под надзор или добиле инструкции за користење на уредот на безбеден начин и ги разбираат вклучените опасности.
- Децата не треба да си играат со уредот. Децата без надзор не треба да вршат чистење и одржување на уредот.



### ПРЕДУПРЕДУВАЊЕ

Овој симбол укажува на можноста за повреда на персоналот или губење на животот.

- **Задачата на монтирање на производот мора да ја извршат соодветно квалификувани и искусни лица.**
- **ЕЛЕКТРИЧНАТА работа може да се изврши само од страна на овластени лица и во согласност со националните стандарди за електрична инсталација. Ако кабелот за напојување е оштетен, тој мора да биде заменет од страна на производителот, овластениот сервисер или лице со слична квалификација за да се избегнат опасности.**
- **Не користете продолжителен кабел и не споделувајте го истиот штекер со други уреди.**
- **Не обидувајте се да го одржувате, поправате, преместувате или менувате вашиот клима уред. Побарајте професионална помош - контактирајте со овластен трговец.**  
Делумната поправка или одржување може да резултира со протекување вода, струен удар или пожар.
- **Исклучете го уредот ако забележите необична миризба, звуци или вибрации. Контактирајте со овластениот трговец.**
- **Не користете запаливи гасови или горива како бензин, бензен, растворувач и друго во климатизираниот простор.**  
Тоа може да доведе до пожар.
- **Не користете грејно тело во климатизираниот простор.**  
Недоволната вентилација може да предизвика несреќи поради недостаток на кислород.
- **Ракување со влажни раце може да резултира со струен удар.**
- **Подолгото изложување на провев може да предизвика болки во мускулите и суви очи.**  
Тоа може да влијае на вашата физичка состојба и да предизвика здравствени проблеми.
- **Не допирајте го излезот за воздух или перката при работата на уредот.**  
Тоа може да предизвика повреда.
- **Не вклучувајте го уредот во влажна просторија, како на пример, во бања или перална.**  
Тоа може да предизвика струен удар.
- **Никогаш не ставајте ги рацете, прстите или други предмети во влезот или излезот за воздух.**  
Тоа може да предизвика повреда бидејќи внатрешниот вентилатор ротира со голема брзина.
- **Не ставајте никакви предмети на уредот, особено предмети што содржат вода, како на пример, вазни.**  
Тоа може да предизвика струен удар.
- **Далечинскиот управувач треба да се чува надвор од дофат на деца.**  
Непочитувањето на ова правило може да резултира со голтање на батериите или други несреќи.
- **Овој апарат е наменет само за употреба во домаќинството.**  
Апаратот за домаќинство е апарат за извршување на вообичаените домашни работи во домаќинството; истиот може да го користат корисници кои не се експерти, како на пр., продавници, канцеларии и други слични работни средини, фарми, хотели, мотели и други други станбени средини.

# 1. ПРОЧИТАЈТЕ ПРЕД РАКУВАЊЕ

## ! ПРЕТПАЗЛИВОСТ

Овој симбол укажува на можноста за оштетување на имотот или сериозни последици.

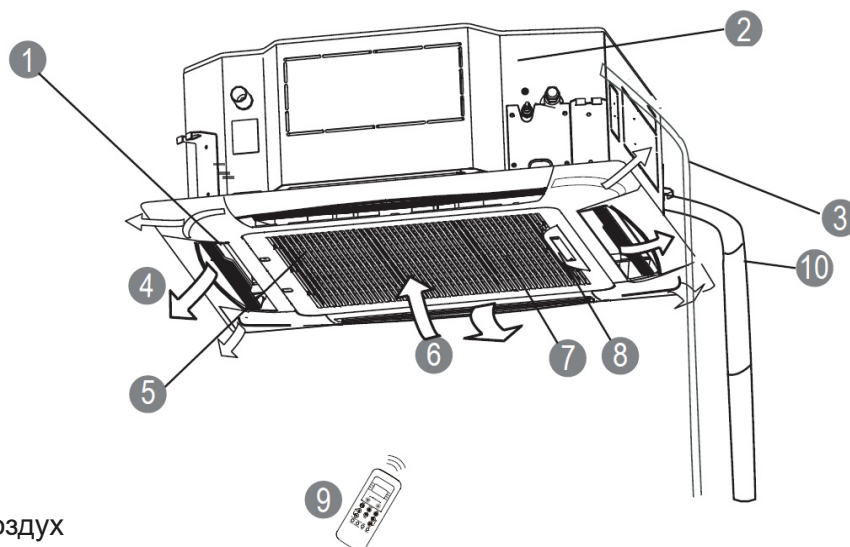
- Производот е наменет САМО за човечка удобност.
- Не блокирајте ги отворите за влез или излез на воздухот. Тоа ќе предизвика лошо работење, зголемување на оперативните трошоци и намален животен век на производот.
- Не контролирајте го системот со главниот прекинувач.  
Тоа може да предизвика пожар или протекување вода.
- Не допирајте ги перките на разменуваачот на топлина.  
Металните делови може да имаат остри рабови што предизвикуваат повреди.
- Исклучете го уредот кога не го употребувате подолг период.
- Исклучете го ПРЕД чистење или одржување.
- Никогаш не користете јаки детергенти, растворувачи или абразивни средства на производот.
- Редовното одржување на високо ниво на внатрешната и надворешната единица е од суштинско значење.

За темелно чистење, подмачкување и проверување на функцијата на сите важни составни делови, потребно е ОДРЖУВАЊЕ од страна на професионалец. Контактирајте со квалификуван сервисен персонал.

## 1.2 ИМИЊА НА ДЕЛОВИТЕ

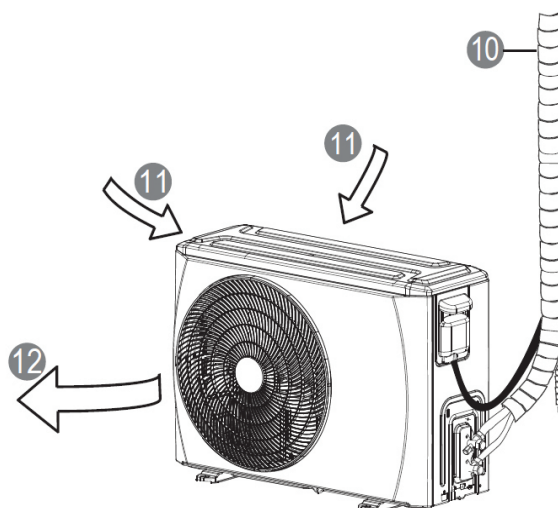
### ВНАТРЕШНА ЕДИНИЦА

- 1 Перка
- 2 Одводна пумпа
- 3 Одводна цевка
- 4 Излез на воздух
- 5 Филтер за воздух (во решетката)
- 6 Влез на воздух
- 7 Решетка за влез на воздух
- 8 Екран
- 9 Далечински управувач\*



### НАДВОРЕШНА ЕДИНИЦА

- 10 Цевка за поврзување
- 11 Влез на воздух
- 12 Излез на воздух

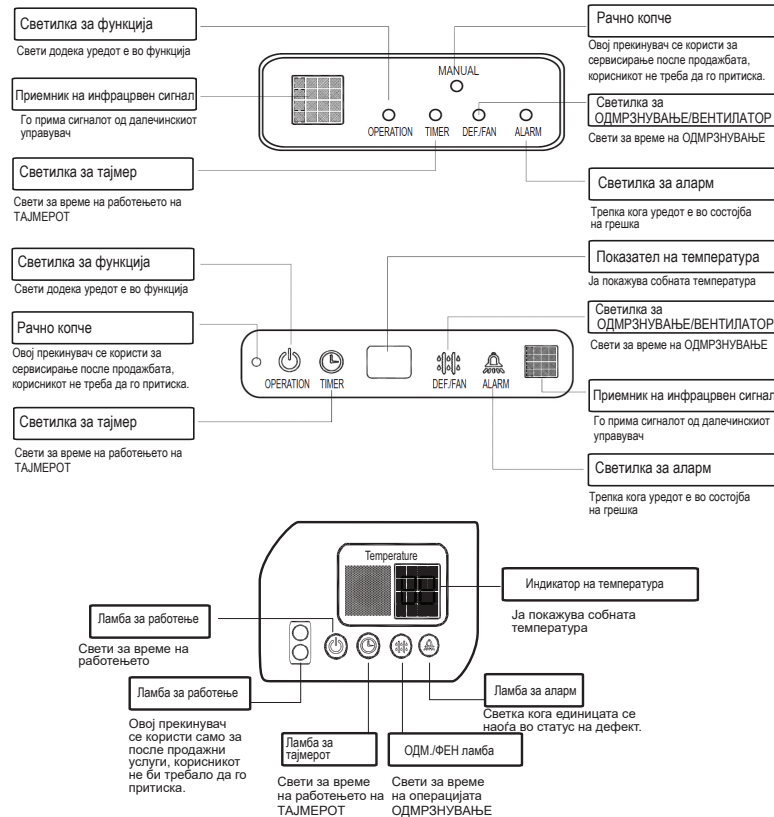


[\*] Далечински или жичен управувач: во зависност од моделот.

# 1. ПРОЧИТАЈТЕ ПРЕД РАКУВАЊЕ

## ЕКРАН

Индикаторите за функциите на внатрешната единица се на плочата за приказ (во зависност од моделот)



## ЗАБЕЛЕШКА

- Сите фотографии во овој прирачник се само за објаснување. Тие може да бидат малку поразлични од клима уредот што сте го купиле (во зависност од моделот). Фактичката форма ќе преовладува.
- Упатството за користење на далечинскиот (или жичен) управувач е вклучено во овие упатства.

## 2. РАБОТА

### 2.1 УСЛОВИ ЗА РАБОТА

Работни услови		Внатрешен простор	Надворешен простор
Ладење	Горна граница	32°C DB	46°C DB
	Долна граница	18°C DB	-10°C DB
Греење	Горна граница	27°C DB	24°C DB
	Долна граница	0°C DB	-15°C DB

Забелешка: DB - Сув термометар

- Оптималната изведба ќе се постигне во рамките на овие работни температури.
- Кога уредот работи над или под овие услови подолго време, системот за дијагностицирање може да открие дефект и уредот нема да работи правилно.
- Релативна влажност на воздухот во собата - пониска од 80%. Ако клима уредот работи надвор од овој опсег, површината на клима уредот може да привлече кондензација.
- ЗА ВНАТРЕШНИТЕ ЕДИНИЦИ СО ПОМОШЕН ЕЛЕКТРИЧЕН ГРЕАЧ: Кога надворешната температура е под 0°C, силно препорачуваме да го држите уредот постојано вклучен, за да осигурате непречена работа.

## 2. РАБОТА

### 2.2 КАКО РАБОТИ

Основни режими на работа: **АВТОМАТСКИ / ЛАДЕЊЕ / СУШЕЊЕ / ГРЕЕЊЕ / ВЕНТИЛАТОР**

#### Режим AUTO

- Во оваа опција системот автоматски ќе ги менува режимите и брзината на вентилаторот за да ја постигне поставената температура.
- [Во пролет и есен, за подобра контрола на температурата, можеби ќе биде потребно менување на режимите COOL/HEAT.]

#### Режим DRY

Во овој режим, приоритет се дава на одвлажнување на воздухот. За да се постигне тоа и да се регулира собната температура, се користат циклуси на ниска брзина на вентилаторот и компресорот.

#### Задоцнување на компресорот

При вклучување, времето на задоцнување од 3 до 4 минути го штити компресорот.

#### Превенција од студен провев

За да се избегне непријатен провев во режимот на греење, внатрешната единица се загрева пред вклучувањето на вентилаторот. Ова одложување би требало да трае само неколку минути.

#### Автоматско одмрзнување

Во режимот на греење се создава мраз на надворешната единица. За одмрзнување на мразот, внатрешниот вентилатор прекинува на неколку минути пред да продолжи греењето.

#### Автоматско рестартирање\*

Уредот автоматски се рестартира по секој прекин на струјата. Сите претходни поставки на корисникот ќе се обноват.

#### Автоматско откривање на протекувања\*

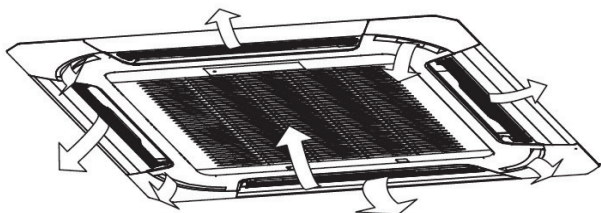
Ако се забележи протекување на фреонот, уредот ќе го прикаже кодот EC или LED-диодите ќе почнат да светкаат.

#### Меморија на перката\*

Аголот на перката се меморира и таа ќе се врати на последната позиција избрана од корисникот.

#### Местење на насоката на протокот на воздух

- Притиснете го копчето „AIR DIRECTION“ на далечинскиот управувач за да се намести насоката на струење. Позицијата на перката малку се поместува со секое притискање на копчето.
- Притиснете го копчето „SWING“ за да се вклучи континуирано движење на перката.



[\*] Во зависност од моделот

#### ЗАБЕЛЕШКА

- Ве молиме погледнете во ПРИРАЧНИКОТ НА ДАЛЕЧИНСКИОТ УПРАВУВАЧ за детали
- Во режимите на ладење или сушење, може да се формира кондензација и да капе од уредот во услови на висока влажност ако позицијата на перката е максимално долу.
- Не ракувајте со уредот ако перката е затворена или отворот е тесен. Ограничениот проток на воздух ја намалува изведбата и може да предизвика кондензација.

#### ! ПРЕТПАЗЛИВОСТ

Не се обидувајте да ја наместите перката со рака.

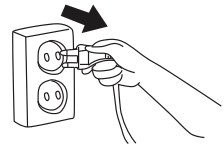
### 2.3 СОВЕТИ ЗА ЕКОНОМИЧНО РАБОТЕЊЕ

- Наместете ја температурата за да постигнете умерени нивоа на удобност. Ако температурата е претерано ниска или висока, непотребно се троши енергија.
- Подобрете ја ефикасноста со затворање на прозорците и вратите.
- Ограничете го користењето на енергија [време на работење] со користење на функцијата TIMER.
- Не блокирајте ги отворите за влез или излез на воздухот. Тоа ќе предизвика лошо работење, зголемување на оперативните трошоци и намален животен век на производот.
- Проверувајте ги филтрите за воздух одвреме-навреме и исчистете ги кога е потребно.
- Исклучете го изворот на енергија ако уредот нема да се користи за подолг период.

# 3. ГРИЖА И ОДРЖУВАЊЕ

## ПРЕТПАЗЛИВОСТ

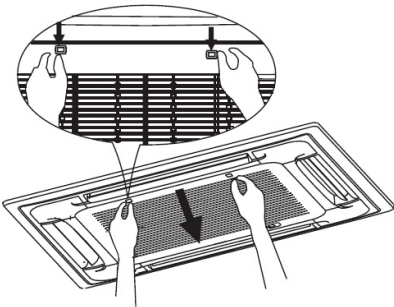
- ИСКЛУЧЕТЕ го уредот од изворот на енергија ПРЕД да се обидете да го чистите или поправате!
- Користете мека, влажна крпа при чистење на решетката, кутијата и далечинскиот управувач.
- Секогаш контактирајте со квалификуван сервисен персонал за вршење поправка или какви било други сервисни одржувања, како на пр., темелно чистење, подмачкување и функционална проверка на важните составни делови.



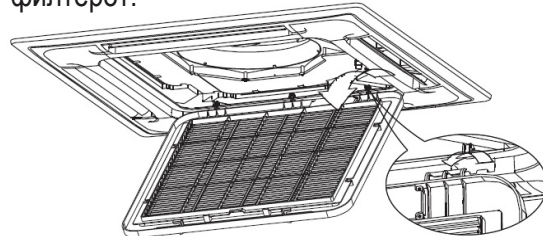
### ■ Чистење на филтерот за воздух

Ве молиме контактирајте со квалификуван сервисен персонал за да го изврши сервисирањето што вклучува отстранување на капаците. За да се одржи доброто работење, редовно проверувајте ги филтрите за воздух и исчистете ги ако е потребно.

- Истовремено притиснете ги двата запци на решетката за да ја отворите.

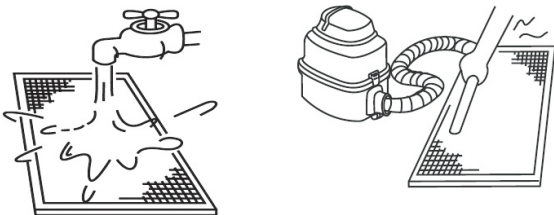


- Исклучете го кабелот за поврзување меѓу контролната кутијата и таблата на екранот. Потоа отстранете ја решетката и извадете го филтерот.



- Исчистете го филтерот за воздух

За чистење на филтерот за воздух може да се користи правосмукалка или чиста вода. Ако има премногу прашина, употребете мека четка и нежен детергент за да го исчистите и исушете го на ладно место. Повторно монтирајте го филтерот за воздух и решетката за влез на воздух во обратен редослед од опишаниот погоре.



### ■ Подготовка за складирање [долги периоди на неактивност]

1. Исчистете ги филтрите за воздух
2. Во влажни климатски услови, клима уредот нека работи само во режим на вентилатор додека единицата не се исуши.
3. Исклучете го клима уредот со далечинскиот управувач и отстранете ги батериите.
4. Исклучете го од електричната мрежа.

### ЗАБЕЛЕШКА:

Страната од која влегува воздух треба да е свртена нагоре кога користите правосмукалката. Страната од која влегува воздух треба да е свртена надолу кога користите вода.

### ■ Повторна употреба после складирање

1. Проверете дали нешто го блокира отворот за влез и излез на воздух.
2. Исчистете ги филтрите за воздух
3. Проверете дали жиците се оштетени и дали се правилно заземјени.
4. Повторно поврзете го уредот во електричната мрежа
5. Почекајте 24 часа кога собната температура е ниска.
6. Повторно монтирајте ги батериите во далечинскиот управувач и вклучете го уредот.

## 4. РЕШАВАЊЕ ПРОБЛЕМИ

### ■ Спроведете ги следниве проверки пред да повикате сервисер.

ПРОБЛЕМ	ВЕ МОЛИМЕ ПРВО ПРОВЕРЕТЕ!
Уредот воопшто не работи	• Дали има прекин на електричната енергија?
	• Дали прекинувачот е исклучен, дали прекинувачот на струјното коло е паднат и дали е прегорен осигурувач?
	• Дали батериите во далечинскиот управувач се нови?
	• Дали часовникот и тајмерот на далечинскиот управувач се точно поставени?
Слабо ладење или греење	• Дали поставките за температурата и режимот се точни?
	• Дали филтрите за воздух се чисти?
	• Дали прозорците и вратите се затворени?
	• Дали протокот на воздух при влез и излез од внатрешната надворешната единица е непречен?
	• Дали брзината на вентилаторот е поставена на високо ниво и дали перката овозможува максимален проток?

### ■ Упатства, совети и предупредувања

Следново може да се случи во текот на нормалното работење и може да не укажува на дефект.

Случај	Објаснување
Ладењето или греењето е одложено.	Доцнењето од 3 минути го штити компресорот.
Брзината на вентилаторот се менува - исклучен, многу бавно, а потоа нормално	Автоматски се случува во режим на греење - спречува ладен воздух да дува кон луѓето.
Греењето запира наеднаш и трепка светилката за одмрзнување.	Во тек е отстранување мраз од надворешната единица (5 - 10 минути).
Магла излегува од внатрешната единица	Може да се случи кога температурата на уредот е ниска, а собниот воздух е топол и влажен.
Звуци со ниска гласност се емитуваат од клима уредот	„Свиркање“: нормално - притисокот на гасот се изедначува кога компресорот запира или се стартува.
	„Крцкање“: нормално ширење и стеснување на пластичните и металните делови.
	Брзо дување на воздух - нормално кога перката се враќа на својата позиција.
Испуштање прашина од единицата.	Може да се случи кога клима уредот се користи за прв пат или пак не бил користен подолго време.
Емитува чудна миризба.	Најчесто е предизвикана од хемикалии, чад од цигари, готвење итн. Ако ова не е случај кај вас, јавете се кај соодветниот изведувач.
Преминува на само вентилатор при ладење или греење.	Собната температура е иста како избраната со далечинскиот управувач. Ако ова не е случај кај вас, јавете се кај соодветниот изведувач.
Слабо греење	Може да се случи кога надворешната температура е блиску до или под нула степени целзиусови.
Автоматски се вклучува	Нормално кога струјата се враќа по прекин на истата.
Работењето е непостојано, непредвидливо или не реагира.	Пречки од предаватели за мобилна телефонија и засилувачи за далечинско управување може да предизвикаат уредот да се расипе.
	Исклучете ја струјата и повторно поврзете го.
	Притиснете на копчето ON/OFF на далечинскиот управувач за да го рестартирате работењето.
	Ако проблемот не се реши јавете се на соодветниот изведувач.



## 4. РЕШАВАЊЕ ПРОБЛЕМИ

### ■ Контактирајте го трговецот

Во случај на кој било од следниве проблеми, исклучете го уредот веднаш!

- Струјниот кабел е оштетен или ненормално топол.
  - Се чувствува мирис на изгорено.
  - Се слушаат гласни или ненормални звуци.
  - Пукне електричниот осигурувач или струјното коло често се прекинува.
  - Вода или други предмети паѓаат во или надвор од единицата.
  - Показателите трепкаат постојано.
  - Се прикажува кодот за самодиагностика, на пр., E0, E1, E2 ... или P0, P1, P2... итн.
- Забележете го бројот на моделот на производот,
  - Контактирајте го соодветниот изведувач,
  - Споделете ги сите забележани детали!



### ПРЕТПАЗЛИВОСТ

НЕ ОБИДУВАЈТЕ СЕ САМИ ДА ГИ ПОПРАВИТЕ ОВИЕ ЕЛЕМЕНТИ!  
КОНТАКТИРАЈТЕ СО КВАЛИФИКУВАН СЕРВИСЕН ПЕРСОНАЛ!



### ПРЕТПАЗЛИВОСТ

- Повеќесистемскиот клима уред не може да биде во различни режими на работа во исто време, како на пример едната единица да биде во режим „COOL“, а другата во режим „HEAT“. Кога се извршуваат различни работи, ќе му се даде приоритет на режимот „HEAT“. Внатрешната единица што работи во режимот „COOL“ или „FAN“ ќе запре и ќе прикаже „P5“.

# CUPRINS

1. NOTE ÎNAINTE DE UTILIZAREG .....	2
1.1 Măsurile de siguranță .....	3
1.2 Denumirile pieselor .....	4
2. FUNCȚIONARE .....	5
2.1 Condiții de funcționare .....	5
2.2 Mod de funcționare .....	6
2.3 Sfaturi pentru utilizarea economică .....	6
3. ÎNGRIJIRE ȘI ÎNTREȚINERE .....	7
4. DEPANARE .....	8

Unitate interioară	Unitate exterioară	Tensiune nominală și Hz
42QTD009DS*	38QUS009DS*	
42QTD012DS*	38QUS012DS*	
42QTD018DS*	38QUS018DS*	
42QTD018D8S*	38QUS018R8S*	
42QTD018R8S*	38QUS018R8S*	
42QTD024R8S*	38QUS024R8S*	
42QTD024DS*	38QUS024DS*	220-240V~ 50Hz
42QTD030DS*	38QUS030DS*	
42QTD036DS*	38QUS036DS*	
42QTD036R8S*	38QUS036R8S*	
42QTD048DS*	38QUS048DS*	
42QTD036DS*	38QUS036DT*	
42QTD036R8S*	38QUS036R8T*	
42QTD048DS*	38QUS048DT*	
42QTD048R8S*	38QUS048R8T*	IDU:220-240 V~ 50 Hz ODU:380-415 V 3N~ 50 Hz
42QTD060DS*	38QUS060DT*	
42QTD060R8S*	38QUS060R8T*	



**Atenție: Pericol de incendiu numai pentru agentul frigorific R32/R290**



## **AVERTISMENT!**

Întreținerea se efectuează numai conform recomandărilor producătorului de echipament. Întreținerea și reparația care necesită asistența unui alt personal calificat se efectuează sub supravegherea persoanei competente în utilizarea agenților frigorifici inflamabili. Pentru mai multe detalii, consultați informațiile despre întreținere din MANUALUL DE INSTALARE. (Aceste informații sunt necesare numai pentru unitățile cu agent frigorific R32/R290.)

Producătorul își rezervă dreptul de a modifica orice specificație a produsului fără notificare prealabilă.

# 1. NOTE ÎNAINTE DE UTILIZARE

Acest produs a fost conceput în conformitate cu Directiva privind tensiunea joasă (2014/35/CE), și Directiva Uniunii Europene privind compatibilitatea electromagnetică (2014/30/CE).



## Eliminarea corespunzătoare a produsului (Deșeurii de echipamente electrice și electronice)

(Dacă acest aparat de aer condiționat este utilizat în țările europene, trebuie respectate următoarele instrucțiuni)

- Acest simbol afișat pe produs sau în manualul său indică faptul că echipamentul electric și electronic (WEEE, conform directivei 2012/19/UE) nu ar trebui amestecat cu alte deșeurii menajere. Este interzisă eliminarea acestui aparat împreună cu deșeurile menajere.

Există mai multe posibilități pentru eliminare:

1. Autoritățile municipale au înființat sisteme de colectare, în care pot fi eliminate deșeurile electronice fără costuri pentru utilizator.
2. La cumpărarea unui produs nou, vânzătorul preia produsul vechi cel puțin fără costuri pentru utilizator.
3. Producătorul preia aparatul vechi pentru a-l elimina cel puțin fără costuri pentru utilizator.
4. Întrucât produsele vechi conțin resurse valoroase, acestea pot fi vândute comercianților de deșeurii metalice.

Eliminarea deșeurilor în păduri sau în natură vă pune în pericol sănătatea, întrucât substanțele periculoase ajung în pânza de apă freatică și în lanțul alimentar.

- Simbolurilor utilizate în acest manual sunt prezentate mai jos:

	<b>AVERTISMENT</b>	Acest aparat a utilizat un agent frigorific inflamabil. Dacă agentul frigorific s-a scurs și expus la o sursă externă de aprindere, atunci există un risc de incendiu.
	<b>ATENȚIE</b>	Manualul de operare trebuie să fie citit cu atenție.
	<b>ATENȚIE</b>	Personalul de service trebuie să manipuleze acest echipament făcând referire la manualul de instalare.
	<b>ATENȚIE</b>	Informațiile sunt disponibile în manualul de operare sau manualul de instalare.

**ATENȚIE**

- Componentele mobile ale aparatului trebuie instalate/localizate la un nivel de cel puțin de 2,3 m față de podea.
- Lucrările ELECTRICE pot fi efectuate numai de personal autorizat și în conformitate cu standardul național privind cablarea. În cazul în care cablul de alimentare este deteriorat, acesta trebuie înlocuit de producător, de agentul său de service ori de o persoană cu calificări similare pentru a evita riscurile.
- Întreținerea se efectuează numai conform recomandărilor producătorului de echipament.
- Întreținerea și reparația care necesită asistența unui alt personal calificat se efectuează sub supravegherea persoanei competente în utilizarea agenților frigorifici inflamabili.

# 1. NOTE ÎNAINTE DE UTILIZARE

## 1.1 MĂSURI DE SIGURANȚĂ

- Citiți acest manual înainte de a utiliza produsul!
- Acest aparat poate fi utilizat de către copii cu vârsta peste 8 ani și de persoane cu capacități fizice, senzoriale sau mentale reduse sau care nu dispun de experiență și cunoștințe dacă sunt supravegheate sau instruite cu privire la utilizarea în siguranță a aparatului și înțeleg riscurile implicate.
- Copiilor le este interzis să se joace cu aparatul. Operațiunile de curățare și întreținere nu trebuie efectuate de copii fără supraveghere.

### AVERTISMENT

Acest simbol indică posibilitatea de vătămare corporală sau de deces.

- **Acest produs trebuie să fie instalat doar de persoanele calificate cu experiență corespunzătoare.**
- **Lucrările ELECTRICE pot fi efectuate numai de către personal autorizat și în conformitate cu standardul național privind cablajele. În cazul în care cablul de alimentare este deteriorat, acesta trebuie înlocuit de producător, de agentul său de service ori de o persoană cu calificări similare pentru a evita riscurile.**
- **Nu utilizați un cablu prelungitor și nu folosiți aceeași priză de alimentare împreună cu alte aparate.**
- **Nu încercați să întrețineți, să reparați, să mutați sau să modificați aparatul de aer condiționat. Solicitați asistență profesională - contactați un distribuitor autorizat.**  
Repararea sau întreținerea necorespunzătoare poate conduce la scurgerea apei, electrocutare sau incendiu.
- **Opriti aparatul dacă detectați mirosuri, sunete sau vibrații neobișnuite. Contactați distribuitorul autorizat.**
- **Nu folosiți gaze sau combustibili inflamabili, precum benzină, benzen, diluant etc. în spațiul condiționat.**  
Puteți provoca un incendiu.
- **Nu utilizați un aparat de încălzire în spațiul condiționat.**  
Ventilația insuficientă poate cauza accidente dată fiind lipsa de oxigen.
- **Utilizarea aparatului cu mâinile ude poate conduce la șocuri electrice.**
- **Expunerea prelungită la curenții de aer poate conduce la disconfort muscular și la ochi uscați.**  
Acest lucru vă poate afecta condiția fizică și vă poate cauza probleme de sănătate.
- **Nu atingeți orificiul de evacuare a aerului sau fanta de ventilație în timp ce unitatea este în funcțiune.**  
Există riscul de rănire.
- **Nu puneți în funcțiune aparatul într-o încăpere umedă, cum ar fi o baie sau o cameră de spălătorie.**  
Există riscul de electrocutare.
- **Nu introduceți niciodată mâinile, degetele sau alte obiecte în orificiul de admisie sau de evacuare a aerului.**  
Există riscul de rănire, întrucât ventilatorul interior se rotește la o viteză foarte mare.
- **Nu așezați obiecte, în special lucruri care conțin apă, cum ar fi vase, pe unitate.**  
Există riscul de electrocutare.
- **Telecomanda nu se va lăsa la îndemâna copiilor.**  
Nerespectarea acestei recomandări poate avea drept urmare înghițirea bateriilor sau alte accidente.
- **Acest aparat este conceput a fi utilizat numai în mediul casnic.**  
Aparatele pentru spațiile rezidențiale sunt aparate tipice de uz domestic destinate spațiilor rezidențiale putând fi utilizate și de către utilizatori neexperimentați, cum ar fi în magazine, birouri sau alte medii de lucru asemănătoare, locuințele fermelor, hoteluri, moteluri și alte tipuri de spații rezidențiale.

# 1. NOTE ÎNAINTE DE UTILIZARE

## ! ATENȚIE!

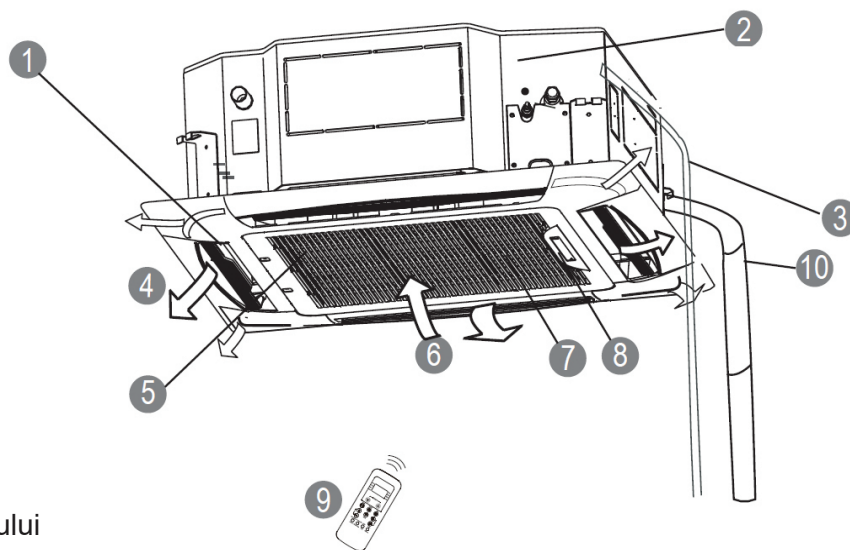
Acest simbol indică posibilitatea de deteriorare a echipamentului sau producere a unor consecințe grave.

- Acest produs este conceput **NUMAI** pentru confortul uman.
- Nu blocați orificiile de admisie și de evacuare. Aceasta poate conduce la o performanță scăzută, la costuri de funcționare ridicate și la o durată redusă de funcționare.
- Nu controlați sistemul de la întrerupătorul electric principal.  
Aceasta poate produce incendii sau scurgeri de apă.
- Nu atingeți muchiile de pe schimbătorul de căldură.  
Piesele metalice pot avea muchii ascuțite care pot provoca leziuni.
- Deconectați unitatea atunci când nu este utilizată pentru perioade lungi de timp.
- Deconectați aparatul **ÎNAINTE** de curățare sau de reparare.
- Nu utilizați niciodată detergenți puternici, solvenți sau lac abraziv pe produs.
- **Întreținerea completă regulată a unității interioare și a unității exterioare este esențială.**  
ÎNTREȚINEREA specializată este necesară pentru curățarea în profunzime, pentru lubrifiere și pentru verificarea funcțiilor tuturor componentelor principale. Contactați doar personalul de service calificat.

## 1.2 NUMELE PIESELOR

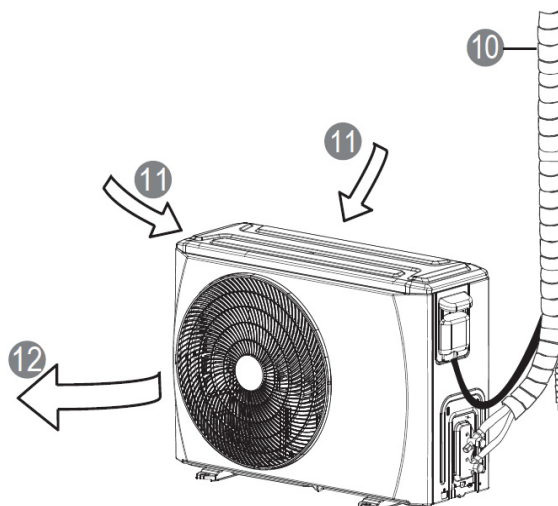
### UNITATE INTERIOARĂ

- 1 Fantă de ventilație
- 2 Pompă de evacuare
- 3 Tub de evacuare
- 4 Ieșire aer
- 5 Filtru de aer (în interiorul grilajului)
- 6 Intrare aer
- 7 Grilaj de admisie a aerului
- 8 Afișaj
- 9 Telecomandă\*



### UNITATE EXTERIOARĂ

- 10 Tubulatură de racordare
- 11 Intrare aer
- 12 Ieșire aer

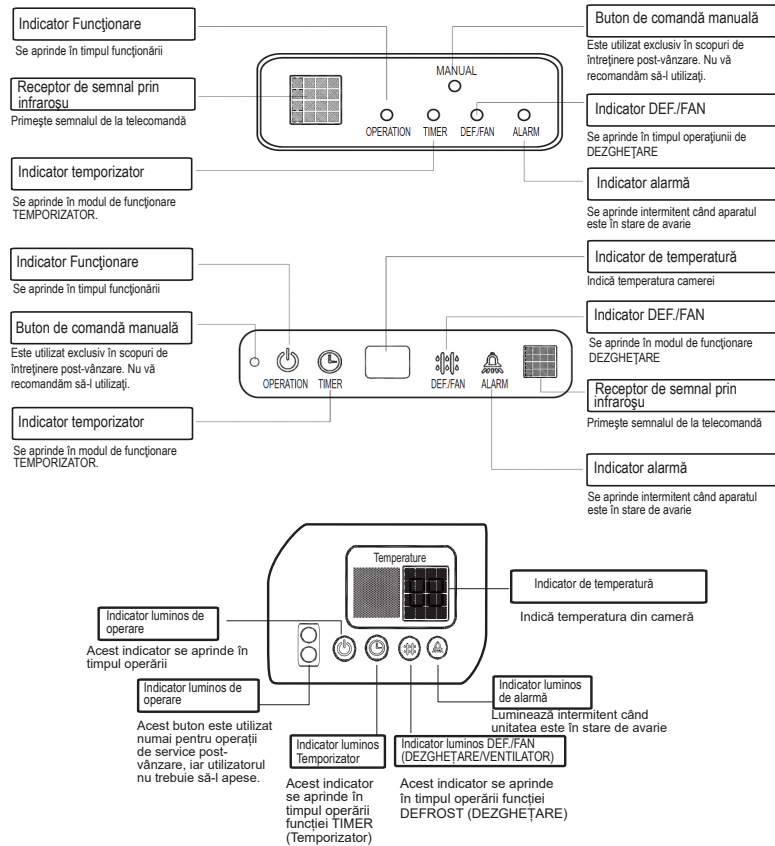


[\*] Telecomandă sau control fir: în funcție de model.

# 1. NOTE ÎNAINTE DE UTILIZARE

## AFIŞAJ

Indicatori de funcție pe panoul de afișaj al unității interioare (În funcție de model)



## OBSERVAȚIE

- Toate imaginile din acest manual sunt doar în scop informativ. Acestea pot fi ușor diferite de aparatul de aer condiționat pe care l-ați cumpărat (în funcție de model). Forma reală trebuie să prevaleze.
- Acest manual conține și un ghid privind utilizarea telecomenzii (sau controlerului cu fir).

## 2. FUNCȚIONARE

### 2.1 CONDIȚII DE FUNCȚIONARE

Condiții de funcționare		Interior	Exterior
Răcire	Limită superioară	32°C DB	46°C DB
	Limită inferioară	18°C DB	-10°C DB
Încălzire	Limită superioară	27°C DB	24°C DB
	Limită inferioară	0°C DB	-15°C DB

Observație: DB - Termometru uscat

- Performanța optimă se obține în intervalul acestor temperaturi de operare.
- Atunci când unitatea funcționează în afara acestor intervale pentru o lungă perioadă de timp, diagnosticarea sistemului poate detecta o defecțiune, iar unitatea nu va funcționa corespunzător.
- Umiditatea relativă a încăperii- sub 80%. În cazul în care aparatul de aer condiționat funcționează în afara acestui interval, suprafața aparatului de aer condiționat poate atrage condens.
- PENTRU UNITĂȚILE EXTERNE CU ÎNCĂLZITOR ELECTRIC AUXILIAR: Dacă temperatura exterioară este sub 0 grade C, recomandăm cu fermitate să mențineți unitatea conectată permanent pentru a asigura o bună funcționare.

## 2. FUNCȚIONARE

### 2.2 MOD DE FUNCȚIONARE

Moduri principale de funcționare: **AUTO (Automat) / COOL (Răcire) / DRY (Dezumidificare) / HEAT (Încălzire)\* / FAN (Ventilație)**

#### Modul AUTO

- În această setare, sistemul va schimba automat modurile și viteza ventilatorului la temperatura setată.
- [Primăvara și toamna, un control mai strâns al temperaturii poate necesita modificări ale modului COOL/HEAT.]

#### Modul DRY (Dezumidificare)

În acest mod se acordă prioritate dezumidificării aerului. Viteza redusă a ventilatorului și ciclarea compresorului sunt utilizate pentru a realiza acest lucru și a regla temperatura camerei.

#### Pornire întârziată a compresorului

La pornire, o întârziere de 3 - 4 minute protejează compresorul.

#### Prevenirea curenților de aer rece

Pentru a evita curenții de aer incomozi în modul de încălzire, unitatea interioară este preîncălzită înainte de pornirea ventilatorului. Această întârziere ar trebui să dureze doar câteva minute.

#### Modul Defrost (Dezghețare)

În modul încălzire, pe unitatea interioară se formează gheață. Pentru a o dezgheța, ventilatorul interior se oprește timp de câteva minute înainte de a continua să încălzească.

#### Repornire automată\*

Unitatea va reporni în mod automat după o întrerupere a alimentării. Toate setările anterioare ale utilizatorului sunt recuperate.

#### Detectarea automată a scurgerilor\*

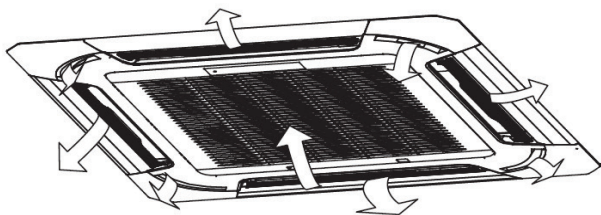
Atunci când se detectează o scurgere de agent frigorific, unitatea va afișa codul „EC” sau LED-urile vor clipi intermitent.

#### Memoria fantei de ventilație\*

Unghiul fantei de ventilație orizontale este memorat și va reveni la ultima poziție selectată de utilizator.

#### Ajustarea direcției fluxului de aer

- Apăsați „AIR DIRECTION” (DIRECȚIA AERULUI) pe telecomandă pentru a ajusta direcția fluxului de aer. Poziția fantei de ventilație se mișcă ușor de fiecare dată când este apăsat butonul.
- Apăsați „SWING” (PENDULARE) pentru a angaja mișcarea continuă a fantei de ventilație.



[\*] În funcție de model

#### OBSERVAȚIE

- Pentru mai multe detalii, consultați MANUAL TELECOMENZII.
- În modul de răcire sau modul de dezumidificare, se poate forma condens care se scurge din unitate în condiții de umiditate ridicată în cazul în care poziția fantei de ventilație este lăsată la maximum în jos.
- Nu utilizați aparatul atunci când fanta de ventilație este închisă sau este deschisă foarte puțin. Fluxul de aer este restricționat și poate cauza condensul.

#### ATENȚIE!

Nu mișcați manual fanta de ventilație.

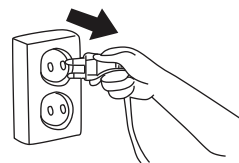
### 2.3 SFATURI PENTRU UTILIZAREA ECONOMICĂ

- Ajustați temperatura pentru a obține niveluri moderate de confort. Temperaturile extrem de scăzute sau ridicate consumă energie.
- Îmbunătățiți performanța ținând ferestrele și ușile închise.
- Limitați consumul de energie [timpul de funcționare] utilizând funcția TEMPORIZATOR.
- Nu blocați orificiile de admisie și de evacuare. Aceasta poate conduce la o performanță scăzută, la costuri de funcționare ridicate și la o durată redusă de funcționare.
- Controlați periodic filtrele de aer și curățați-le atunci când este nevoie.
- Deconectați sursa de alimentare atunci când unitatea nu este utilizată pentru o perioadă lungă de timp.

# 3. ÎNGRIJIRE ȘI ÎNTREȚINERE

## ⚠ ATENȚIE!

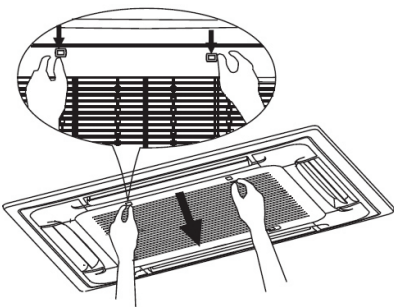
- DECONECTAȚI aparatul de la sursa de alimentare ÎNAINTE de a-l curăța sau repara!
- Folosiți o cârpă moale și umedă atunci când curățați grilajul, carcasa și telecomanda.
- Contactați întotdeauna un personal calificat de service pentru a efectua reparațiile sau orice altă lucrare de întreținere care nu poate fi efectuată de utilizator, cum ar fi curățarea aprofundată, lubrifierea și verificarea funcției componentelor critice.



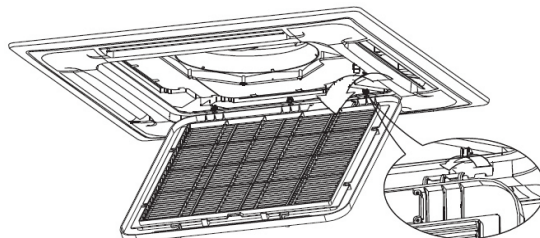
### ■ Curățarea filtrului de aer

Pentru activitățile de întreținere care implică îndepărtarea apărătorilor, vă rugăm să contactați personalul calificat. Pentru a menține aparatul în bună stare de funcționare, verificați în mod regulat filtrele de aer și curățați-le, dacă este necesar.

- Împingeți cele două comutatoare ale grilajului simultan pentru a deschide grilajul.

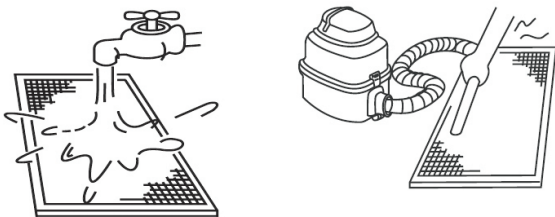


- Deconectați firul de conectare dintre tabloul de comandă și placa de afișare. Scoateți apoi grilajul și filtrul.



- Curățați filtrul de aer.

Pentru aceasta se poate folosi un aspirator sau apă curată. În cazul în care stratul de praf acumulat este prea gros, folosiți o perie moale și un detergent neutru pentru a-l curăța și lăsați să se usuce într-un loc răcoros. Re-instalați filtrul de aer și grilajul de admisie a aerului, în ordinea inversă descrisă mai sus.



#### OBSERVAȚIE:

Partea de admisie a aerului trebuie îndreptată în sus atunci când folosiți un aspirator.  
Partea de admisie a aerului trebuie îndreptată în jos când folosiți apă.

### ■ Pregătirea pentru depozitare [perioade lungi de nefuncționare]

1. Curățați filtrele de aer
2. În climatele umede, utilizați aparatul doar în modul Fan până când unitatea s-a uscat.
3. Opiți aparatul de aer condiționat de la telecomandă și scoateți bateriile.
4. Deconectați aparatul de la sursa de alimentare.

### ■ Re-utilizare după depozitare

1. Verificați dacă orificiul de admisie și evacuare a aerului este blocat.
2. Curățați filtrele de aer
3. Verificați cablurile pentru a vă asigura că nu sunt deteriorate și sunt împământate corespunzător.
4. Reconectați aparatul la sursa de alimentare
5. Așteptați 24 de ore atunci când temperatura ambientală este scăzută.
6. Reintroduceți bateriile în telecomandă și porniți unitatea.



## 4. DEPANARE

### ■ Efectuați următoarea verificare înainte de a contacta personalul de service.

PROBLEMĂ	VERIFICAȚI MAI ÎNTÂI!
Unitatea nu funcționează deloc	• Există o pană de curent?
	• S-a oprit un comutator, s-a declanșat un disjunctoare sau a sărit o siguranță?
	• Bateriile din telecomandă sunt noi?
	• Ceasul și ora de pe telecomandă sunt setate corect?
Unitatea nu răcește sau nu încălzește suficient	• Setările de temperatură și de mod sunt corecte?
	• Filtrele de aer sunt curate?
	• Ferestrele și ușile sunt închise?
	• Fluxul de aer nu este restricționat spre și de la unitatea interioară și exterioară?
	• Viteza ventilatorului este setată la nivelul maxim și fantele de ventilație permit un flux maxim?

### ■ Ghiduri, sfaturi și atenționări

În timpul funcționării normale pot apărea următoarele situații și este posibil să nu indice o defecțiune.

Caz	Explicație
Răcirea sau încălzirea este întârziată.	O întârziere de 3 minute protejează compresorul.
Viteza ventilatorului se modifică - oprită, foarte lentă și apoi normală	Se întâmplă automat în modul de încălzire - previne suflarea aerului rece spre persoane.
Încălzirea se oprește brusc, iar indicatorul de dezghețare clipește.	Dezghețarea unității exterioare este în curs (5-10 minute).
Vapori care ies din unitatea interioară	Acest fenomen poate apărea când temperatura unității este scăzută, iar aerul din cameră este cald și umed.
Aparatul de aer condiționat emite sunete cu un volum scăzut	„Murmur”: normal - egalizarea presiunii gazului la oprirea sau la pornirea compresorului.
	„Scârțâit”: dilatarea și contractarea normală a pieselor din plastic și metal.
	Rafală de aer - normal atunci când fanta de ventilație își resetează poziția.
Praf eliminat din unitate.	Poate apărea atunci când aparatul de aer condiționat este utilizat pentru prima oară sau atunci când nu a fost utilizat o perioadă îndelungată.
Emite un miros ciudat.	Cauzat, în general, de substanțe chimice, de fumul de țigară, de gătit etc. Dacă nu este cazul, contactați contractantul competent.
Comută la funcția doar ventilator în timpul răcirii sau încălzirii.	Temperatura ambientală este aceeași cu temperatura selectată cu telecomanda. Dacă nu este cazul, contactați contractantul competent.
Performanță de încălzire slabă.	Poate apărea atunci când temperaturile exterioare sunt apropiate de sau sub zero grade Celsius.
Pornește automat.	Normal atunci când alimentarea cu energie electrică este reluată după o pană de curent.
Funcționarea este neregulată, imprezvizibilă sau nu răspunde la comenzi.	Interferența de la turnurile de telefonie mobilă și de la releele de la distanță pot cauza funcționarea necorespunzătoare a aparatului.
	Deconectați cablul de alimentare și apoi reconectați-l.
	Apăsați butonul ON/OFF de pe telecomandă pentru a reporni funcționarea.
	Dacă problema nu este soluționată, contactați un contractant competent.

## 4. DEPANARE

### ■ Luați legătura cu distribuitorul

**Opriți imediat unitatea în cazul ORICĂREIA dintre situațiile de mai jos!**

- Cablul de alimentare este deteriorat sau este anormal de cald.
  - Miroase a ars.
  - Se aud zgomote puternice sau anormale.
  - O siguranță sare frecvent sau un disjunctoare se declanșează frecvent.
  - În sau din unitate cad apă sau alte obiecte.
  - Indicatoarele clipesc continuu.
  - Este afișat un cod de auto-diagnosticare, de ex. E0, E1, E2 ... sau P0, P1, P2 ... etc.
- Înregistrați numărul modelului produsului,
  - Contactați un contractant competent,
  - Comunicați toate detaliile observate!

### ATENȚIE!

**NU ÎNCERCAȚI SĂ REMEDIAȚI ACESTE PROBLEME PE CONT PROPRIU!  
CONTACTAȚI PERSONALUL DE SERVICE CALIFICAT!**

### ATENȚIE!

- Aparatul de aer condiționat multi-sistem nu poate fi în diferite moduri de operare în același timp, cum ar fi o unitate în modul „COOL” și o unitate în modul „HEAT”.  
La efectuarea unor operațiuni diverse, se va acorda prioritate modului „HEAT”. Unitatea interioară care funcționează în modul „COOL” sau „FAN” se va opri și va afișa „P5”.

# OBSAH

1. PREŠTUDUJTE SI PRED UVEDENÍM DO PREVÁDZKY .....	2
1.1 Bezpečnostné opatrenia .....	3
1.2 Názvy častí .....	4
2. PREVÁDZKA .....	5
2.1 Prevádzkové podmienky .....	5
2.2 Ako zariadenie funguje .....	6
2.3 Rady na dosiahnutie ekonomickej prevádzky .....	6
3. STAROSTLIVOSŤ A ÚDRŽBA .....	7
4. RIEŠENIE PROBLÉMOV .....	8

Interiérová jednotka	Exteriérová jednotka	Menovité napätie a frekvencia
42QTD009DS*	38QUS009DS*	
42QTD012DS*	38QUS012DS*	
42QTD018DS*	38QUS018DS*	
42QTD018D8S*	38QUS018R8S*	
42QTD018R8S*	38QUS018R8S*	
42QTD024R8S*	38QUS024R8S*	
42QTD024DS*	38QUS024DS*	220-240V~ 50Hz
42QTD030DS*	38QUS030DS*	
42QTD036DS*	38QUS036DS*	
42QTD036R8S*	38QUS036R8S*	
42QTD048DS*	38QUS048DS*	
42QTD036DS*	38QUS036DT*	
42QTD036R8S*	38QUS036R8T*	
42QTD048DS*	38QUS048DT*	
42QTD048R8S*	38QUS048R8T*	IDU: 220-240 V~ 50 Hz ODU: 380-415 V 3N~ 50 Hz
42QTD060DS*	38QUS060DT*	
42QTD060R8S*	38QUS060R8T*	



**Upozornenie: Nebezpečenstvo  
požiaru iba pre chladivo R32/R290**



## **VAROVANIE!**

Servis spotrebiča možno vykonávať len v súlade s odporúčaniami výrobcu. Údržba a opravy, ktoré si vyžadujú pomoc iného odborného personálu, sa vykonávajú pod dohľadom osoby, ktorá je spôsobilá manipulovať s horľavým chladivom. Viac podrobností nájdete v Informáciách o servise v NÁVODE NA INŠTALÁCIU. (Vyžaduje sa to iba pre jednotky, ktoré používajú chladivo R32/R290)

Výrobca si vyhradzuje právo na zmenu špecifikácií výrobku bez predchádzajúceho upozornenia.

# 1. PREŠTUDUJTE SI PRED UVEDENÍM DO PREVÁDZKY

Tento produkt je v súlade so smernicami Európskej únie, a to smernicou o nízkom napätí (2014/35/ES), a smernicou o elektromagnetickej kompatibilite (2014/30/ES).



## Správna likvidácia výrobku (Odpad z elektrických a elektronických zariadení)

**(Ak toto zariadenie používate v krajinách Európy, je potrebné riadiť sa nasledujúcimi pokynmi)**

- Toto označenie uvedené na výrobku alebo v dokumentoch k výrobku znamená, že elektrický odpad a elektrické zariadenia (OEEZ podľa smernice 2012/19/ES) nesmú byť miešané s bežným domovým odpadom.

Likvidácia tohto zariadenia s komunálnym odpadom sa zakazuje.

Máte niekoľko možností na likvidáciu:

1. Miestna samospráva zriadila zberné strediská, v ktorých možno bezplatne odovzdať staré spotrebiče.
2. Pri kúpe nového produktu predajca odvezie váš starý spotrebič.
3. Výrobca bezplatne vyzdvihne starý spotrebič na likvidáciu.
4. Keďže staré spotrebiče obsahujú cenné suroviny, možno ich predať v zberniach kovového odpadu.

Neriadená likvidácia odpadu v lesoch a na poliach ohrozuje vaše zdravie, pretože môže dôjsť k úniku škodlivých látok do podzemnej vody a ich vstupu do potravinového reťazca.

- Symboly používané na jednotkách a v návode:

	<b>VAROVANIE</b>	Toto zariadenie používa horľavé chladivo. Ak je chladivo vytečené a vystavené externému zdroju vznietenia, hrozí nebezpečenstvo požiaru.
	<b>UPOZORNENIE</b>	Prečítajte si pozorne návod na obsluhu.
	<b>UPOZORNENIE</b>	Servisný personál by mal manipulovať s týmto zariadením po prečítaní návodu na inštaláciu.
	<b>UPOZORNENIE</b>	Sú k dispozícii informácie ako napríklad návod na obsluhu alebo návod na inštaláciu.



**UPOZORNENIE**

- Pohyblivé časti spotrebiča musia byť nainštalované/umiestnené minimálne 2,3 m od podlahy.
- ELEKTRICKÉ PRÁCE môžu vykonávať iba oprávnení pracovníci, a to v súlade so štátnymi normami pre kabeláž. Ak je napájací kábel poškodený, musí ho vymeniť výrobca, jeho servisný zástupca alebo osoby s podobnou kvalifikáciou, aby sa predišlo nebezpečenstvu.
- Servis spotrebiča možno vykonávať len v súlade s odporúčaniami výrobcu.
- Údržba a opravy, ktoré si vyžadujú pomoc iného odborného personálu, sa vykonávajú pod dohľadom osoby, ktorá je spôsobilá manipulovať s horľavým chladivom.

# 1. PREŠTUDUJTE SI PRED UVEDENÍM DO PREVÁDZKY

## 1.1 BEZPEČNOSTNÉ OPATRENIA

- Pred používaním produktu si prečítajte tento návod!
- Toto zariadenie môžu používať deti od 8 rokov a osoby so zníženými fyzickými, zmyslovými alebo mentálnymi schopnosťami, resp. nedostatkom skúseností a znalostí v prípade, že boli poučené o bezpečnom používaní spotrebiča a chápu súvisiace riziká.
- Deti by sa so zariadením nemali hrať. Čistenie a údržbu zariadenia by nemali vykonávať deti bez dozoru.

### VAROVANIE

Tento symbol označuje riziko poranenia alebo úmrtia.

- **Montáž tohto produktu smú vykonať len osoby s dostatočnou kvalifikáciou a skúsenosťami.**
- **Zapojenie ELEKTROINŠTALÁCIE smie vykonať len autorizovaný personál v súlade s príslušnými normami. Aby sa predišlo ohrozeniu v prípade poškodenia napájacieho kábla, musí ho vymeniť výrobca, jeho servisný zástupca alebo iná podobne kvalifikovaná osoba.**
- **Nepoužívajte predlžovacie káble. Do zásuvky, v ktorej je zapojené zariadenie, nezapájajte ďalšie spotrebiče.**
- **Klimatizačné zariadenie sa nepokúšajte opravovať, presúvať ani pozmeňovať. Obráťte sa na odborníkov – napr. na autorizovaného predajcu.**  
Neúplná oprava alebo údržba môžu mať za následok presakovanie vody, zásah elektrickým prúdom alebo požiar.
- **Ak zaznamenáte neobvyklý zápach, zvuk alebo vibrácie, zariadenie ihneď vypnite. Obráťte sa na autorizovaného predajcu.**
- **Prístroj neumiestňujte do blízkosti horľavých plynov ani iných horľavých látok, ako je napríklad benzín, benzén, riedidlo atď.**  
Mohlo by dôjsť k vzniku požiaru.
- **V klimatizovanej miestnosti nepoužívajte vykurovací spotrebič.**  
V dôsledku nedostatočného vetrania môže dôjsť k nehodám kvôli nedostatku kyslíka.
- **Používanie zariadenia s mokrými rukami môže mať za následok zásah elektrickým prúdom.**
- **Dlhodobé vystavenie prievanu môže viesť k bolestiam svalov a vysušovaniu očí.**  
Mohlo by to mať vplyv na váš fyzický stav a spôsobiť zdravotné problémy.
- **Nedotýkajte sa výstupu vzduchu ani lamiel, kým je prístroj v prevádzke.**  
Mohlo by dôjsť k poraneniam.
- **Zariadenie nepoužívajte vo vlhkej miestnosti, ako je napr. kúpeľňa alebo práčovňa.**  
Môže dôjsť k úrazu elektrickým prúdom.
- **Do vstupu alebo výstupu vzduchu nikdy nevkładajte ruky alebo prsty, ani iné predmety.**  
Môže tým dôjsť k poraneniu, pretože vnútorný ventilátor sa otáča vysokou rýchlosťou.
- **Nekladte na zariadenie žiadne predmety, najmä veci, v ktorých sa nachádza voda, ako sú napr. vázy.**  
Mohlo by dôjsť k zásahu elektrickým prúdom.
- **Diaľkový ovládač uchovávajte mimo dosahu detí.**  
V opačnom prípade by mohlo dôjsť k prehltnutiu batérií alebo iným nehodám.
- **Toto zariadenie je určené iba na používanie v domácnosti.**  
Domáci spotrebič je zariadenie na vykonávanie bežných funkcií v domácnosti, ktoré môžu používať aj neskúsení používatelia v prostredí, ako sú napr. obchody, kancelárie a iné podobné pracovné priestory, chalupy, hotely, motely a ďalšie druhy prostredia obytného typu.

# 1. PREŠTUDUJTE SI PRED UVEDENÍM DO PREVÁDZKY

## ! UPOZORNENIE

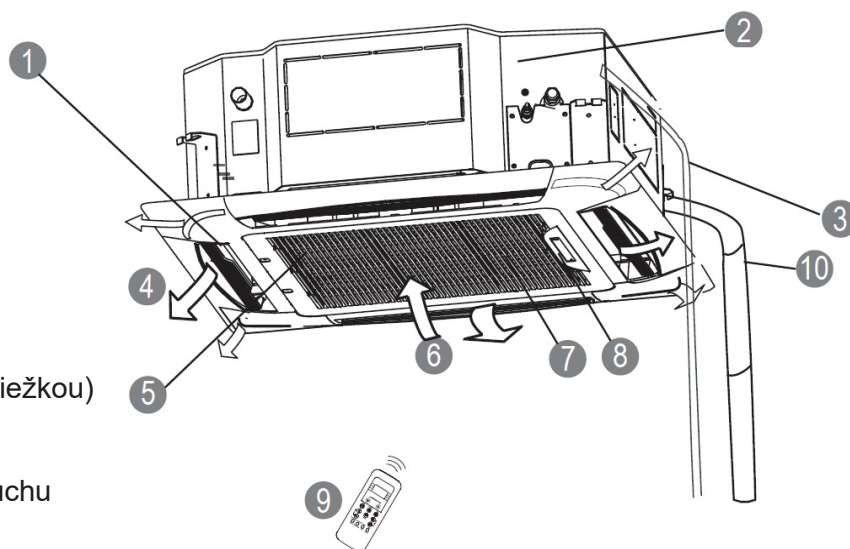
Tento symbol označuje riziko poškodenia majetku alebo závažných následkov.

- Tento produkt je určený IBA na spríjemňovanie prostredia.
- Neblokujte otvory na prívod a odvod vzduchu. Môže to mať za následok nižší výkon, vyššie prevádzkové náklady a kratšiu životnosť produktu.
- Na ovládanie systému nepoužívajte hlavný vypínač.  
Môže dôjsť k požiaru alebo presakovaniu vody.
- Nedotýkajte sa plôch na výmenníku tepla.  
Kovové časti môžu mať ostré hrany, ktoré by mohli spôsobiť poranenia.
- Ak zariadenie nebudete dlhší čas používať, odpojte ho.
- Pred čistením a vykonávaním servisu zariadenie odpojte.
- Nepoužívajte agresívne čistiace prostriedky, rozpúšťadlá ani abrazívne leštidlá.
- Pravidelná hĺbková údržba interiérovej a exteriérovej jednotky je mimoriadne dôležitá.  
Hĺbkové čistenie, premazanie a kontrolu funkčnosti všetkých základných komponentov musí vykonať odborník na ÚDRŽBU. Obráťte sa na kvalifikovaných servisných pracovníkov.

## 1.2 NÁZVY ČASTÍ

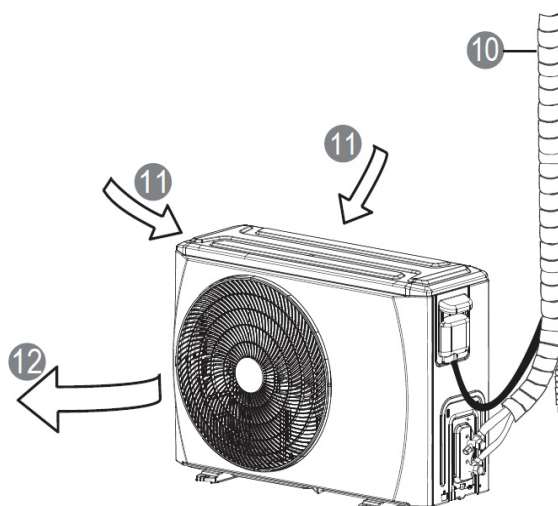
### INTERIÉROVÁ JEDNOTKA

- ① Lamela
- ② Vypúšťacie čerpadlo
- ③ Odtoková rúrka
- ④ Výstup vzduchu
- ⑤ Vzduchový filter (za mriežkou)
- ⑥ Vstup vzduchu
- ⑦ Mriežka na prívod vzduchu
- ⑧ Displej
- ⑨ Diaľkový ovládač\*



### EXTERIÉROVÁ JEDNOTKA

- ⑩ Spojovacia hadica
- ⑪ Vstup vzduchu
- ⑫ Výstup vzduchu

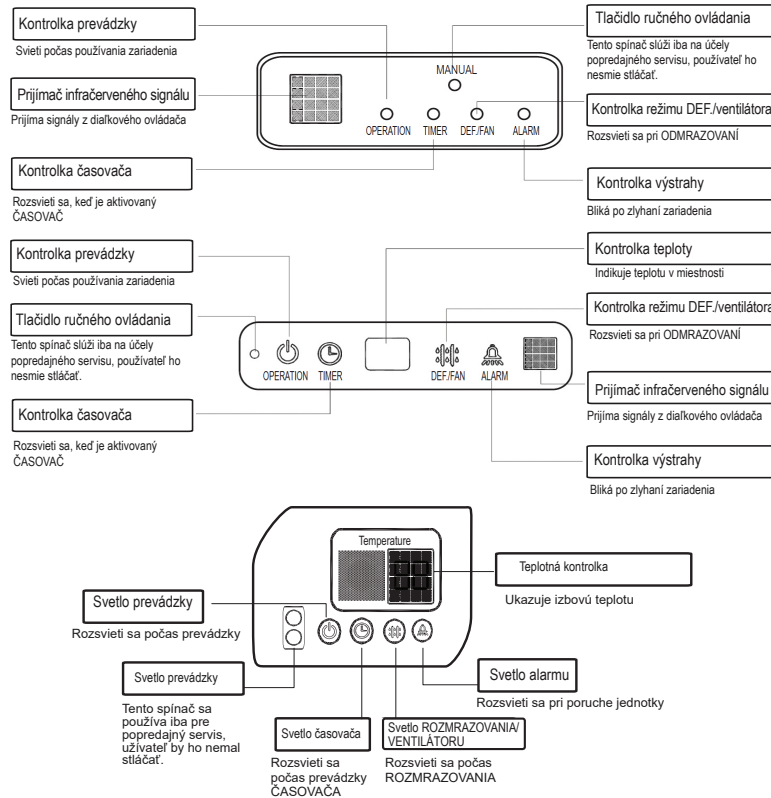


(\*) Diaľkový ovládač alebo káblový ovládač: podľa modelu.

# 1. PREŠTUDUJTE SI PRED UVEDENÍM DO PREVÁDZKY

## DISPLEJ

Kontroly pre indikáciu funkcie na zobrazovacom paneli vnútornej jednotky (v závislosti od modelu)



## POZNÁMKA

- Všetky obrázky v tomto návode majú len informatívny charakter. Zakúpená klimatizácia sa od nich môže mierne líšiť (v závislosti od modelu). Tvar by však mal byť totožný.
- Súčasťou tejto dokumentácie je aj návod na používanie diaľkového ovládača (alebo káblového ovládania).

## 2. PREVÁDZKA

### 2.1 PREVÁDZKOVÉ PODMIENKY

Prevádzkové podmienky		Interiérová jednotka	Exteriérová jednotka
Chladenie	Horný limit	32 °C DB	46 °C DB
	Dolný limit	18 °C DB	-10 °C DB
Vykurovanie	Horný limit	27 °C DB	24 °C DB
	Dolný limit	0 °C DB	-15 °C DB

Poznámka: DB – Dry Bulb (suchá žiarovka)

- V rámci týchto prevádzkových teplôt sa dosiahne optimálny výkon.
- Keď zariadenie dlhodobo pracuje mimo týchto podmienok, systémová diagnostika môže zaznamenať poruchu a zariadenie prestane správne fungovať.
- Relatívna vlhkosť v miestnosti – menej ako 80 %. Ak klimatizácia pracuje mimo tohto rozsahu, na povrchu zariadenia sa môže nazrážať vlhkosť.
- PRE VONKAJŠIE JEDNOTKY S POMOCNÝM ELEKTRICKÝM OHRIEVAČOM: Ak je vonkajšia teplota nižšia ako 0 °C, dôrazne odporúčame nechať zariadenie stále zapojené, aby bol zabezpečená plynulá priebežná prevádzka.

## 2. PREVÁDZKA

### 2.2 Ako zariadenie funguje

Základné prevádzkové režimy: **AUTO/COOL/DRY/HEAT/FAN (automatická prevádzka/chladenie/odvlhčovanie/vykurovanie/ventilácia)**

#### Režim AUTO (automatická prevádzka)

- Pri tomto nastavení bude systém automaticky meniť režimy a rýchlosť ventilátora podľa nastavenej teploty.
- (Na jar a na jeseň si môže presná regulácia teploty vyžadovať prepínanie režimov CHLADENIE/ VYKUROVANIE.)

#### Režim DRY (odstraňovanie vlhkosti)

V tomto režime má prednosť odvlhčovanie vzduchu. Na tento účel a na reguláciu teploty v miestnosti sa využíva nízka rýchlosť ventilátora a cykly kompresora.

#### Odloženie zapnutia kompresora

Pri spúšťaní slúži odloženie zapnutia o 3 až 4 minúty na ochranu kompresora.

#### Zabránenie vzniku studeného prievanu

Aby ste v režime vykurovania zabránili vzniku nepríjemného studeného prievanu, interiérová jednotka sa pred spustením ventilátora predhreje. Trvá to len pár minút.

#### Automatické odmrazovanie

V režime vykurovania sa na exteriérovej jednotke hromadí ľad. Aby sa tento ľad rozmrazil, vnútorný ventilátor sa pred tým, ako bude vykurovanie pokračovať, na pár minút vypne.

#### Automatické reštartovanie\*

Zariadenie sa po výpadku napájania automaticky reštartuje. Predchádzajúce používateľské nastavenia sa obnovia.

#### Automatická detekcia netesností\*

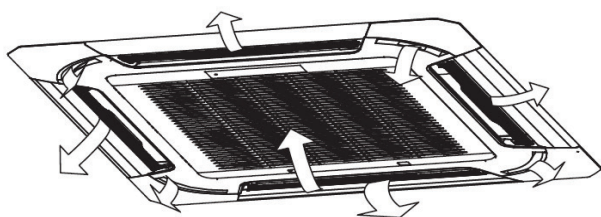
Keď sa zistí unikanie chladiacej zmesi, na displeji zariadenia sa zobrazí chybový kód „EC“ alebo začnú blikať kontrolky.

#### Pamäť polohy lamiel\*

Uhol lamely sa ukladá do pamäte, takže lamela sa vráti do poslednej polohy nastavenej používateľom.

#### Nastavenie smeru prúdenia vzduchu

- Stlačením tlačidla „AIR DIRECTION“ na diaľkovom ovládači nastavíte smer prúdenia vzduchu. Lamela sa po každom stlačení tlačidla o kúsok posunie.
- Stlačením tlačidla „SWING“ spustíte nepretržitý pohyb lamely.



(\*) Závisí od modelu

#### POZNÁMKA

- Podrobnosti nájdete v NÁVODE NA POUŽITIE DIAĽKOVÉHO OVLÁDAČA.
- V režime chladenia alebo vysušovania sa môže pri vysokej vlhkosti na lamelách zrážať vlhkosť a odkvapkávať na predmety pod zariadením, ak sa lamely nachádzajú v najnižšej polohe.
- Nepoužívajte zariadenie, ak sú lamely uzavreté alebo otvory úzke. Obmedzený tok vzduchu znižuje účinnosť a môže spôsobiť zrážanie vlhkosti.

#### ! UPOZORNENIE

Nepokúšajte sa nastavovať lamely ručne.

### 2.3 RADY NA DOSIAHNUTIE EKONOMICKEJ PREVÁDZKY

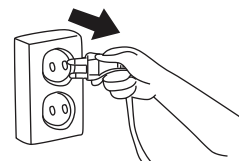
- Nastavte vhodnú teplotu na zachovanie primeraného pohodlia. Príliš nízke, resp. vysoké teploty, majú za následok plytvanie energiou.
- Účinnosť zariadenia dosiahnete zatvorením okien a dverí.
- Obmedzte spotrebu energie (čas prevádzky) používaním funkcie ČASOVAČA.
- Neblokujte otvory na prívod a odvod vzduchu. Môže to mať za následok nižší výkon, vyššie prevádzkové náklady a kratšiu životnosť produktu.
- Pravidelne kontrolujte vzduchové filtre a podľa potreby ich vyčistite.
- Odpojte zdroj napájania, ak sa zariadenie nebude dlhší čas používať.



# 3. STAROSTLIVOSŤ A ÚDRŽBA

## ! UPOZORNENIE

- PRED čistením alebo vykonávaním servisu ODPOJTE zariadenie od zdroja napájania!
- Na čistenie mriežky, krytu a diaľkového ovládania používajte mäkkú navlhčenú handričku.
- Ak je potrebné vykonať opravu alebo odbornú údržbu, ako je napr. hĺbkové čistenie, mazanie a kontrola fungovania dôležitých súčastí, vždy sa obráťte na kvalifikovaných servisných pracovníkov.

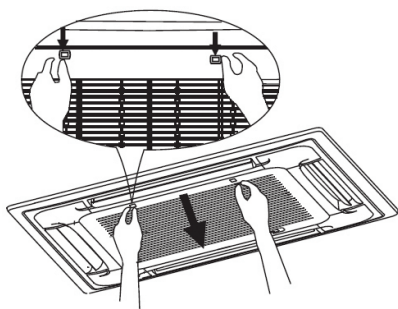


### ■ Čistenie vzduchového filtra

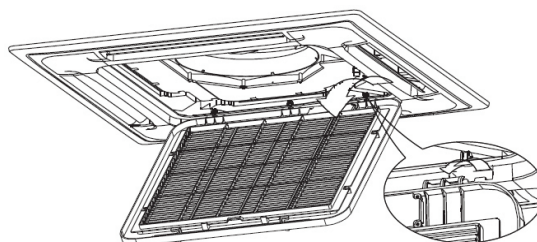
Údržbu zahŕňajúcu demontáž krytov nechajte vykonať kvalifikovaným servisným technikom.

Pravidelne kontrolujte vzduchové filtre a podľa potreby ich čistite, ak chcete zachovať ich dobrý výkon.

- Naraz zatlačte záračky a otvorte mriežku.

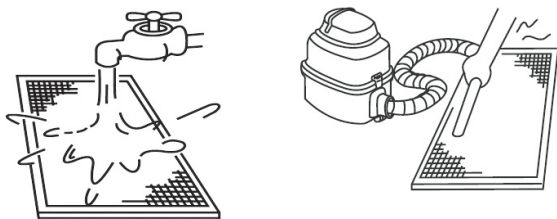


- Odpojte spojovací vodič medzi ovládacou skrinkou a doskou displeja. Následne odstráňte mriežku a vyberte filter.



- Vyčistite vzduchový filter.

Na vyčistenie filtra použite vysávač alebo čistú vodu. Ak sa vo filtri nahromadilo priveľa prachu, na jeho vyčistenie použite jemný štetec a šetrný saponát a nechajte ho vyschnúť na chladnom mieste. Znovu nainštalujte vzduchový filter a mriežku prívodu vzduchu v opačnom poradí krokov uvedených vyššie.



#### POZNÁMKA:

Pri použití vysávača otočte filter prednou stranou smerom nahor.

Pri použití vody otočte filter prednou stranou smerom nadol.

### ■ Príprava na uskladnenie (dlhé obdobia nečinnosti) ■ Opätovné uvedenie do prevádzky po uskladnení

1. Vyčistite vzduchové filtre.
2. Vo vlhkom prostredí zariadenie nechajte bežať v režime ventilácie, až kým sa úplne nevysuší.
3. Klimatizačnú jednotku vypnite pomocou diaľkového ovládača a vyberte z neho batérie.
4. Odpojte od zdroja napájania.

1. Skontrolujte, či niečo neblokuje otvory na prívod a odvod vzduchu.
2. Vyčistite vzduchové filtre.
3. Skontrolujte prípadné poškodenie vedenia a jeho správne uzemnenie.
4. Zariadenie opäť pripojte k zdroju napájania.
5. Keď je teplota prostredia nízka, počkajte 24 hodín.
6. Do diaľkového ovládača znova vložte batérie a zariadenie zapnite.

## 4. RIEŠENIE PROBLÉMOV

- Pred tým, než sa obrátite na servis, vykonajte nižšie uvedené kontroly.

PROBLÉM	NAJSKÔR SKONTROLUJTE!
Zariadenie vôbec nefunguje	<ul style="list-style-type: none"> <li>• Nedošlo k výpadku elektrického prúdu?</li> <li>• Nedošlo k vypnutiu vypínača, vyhodneniu ističa alebo vypáleniu poistky?</li> <li>• Nie sú batérie v diaľkovom ovládači vybité?</li> <li>• Nastavili ste hodiny a časovač na diaľkovom ovládači správne?</li> </ul>
Neúčinné chladenie alebo vykurovanie	<ul style="list-style-type: none"> <li>• Nastavili ste správnu teplotu a režim?</li> <li>• Sú vzduchové filtre čisté?</li> <li>• Sú dvere a okná zatvorené?</li> <li>• Nie je prúdenie vzduchu z a do interiérovej a exteriérovej jednotky zablokované?</li> <li>• Sú nastavené vysoké otáčky ventilátora a umožňujú lamely maximálny prietok vzduchu?</li> </ul>

- Rady, tipy a upozornenia

Počas bežnej prevádzky môže dôjsť k nasledujúcim javom, ktoré nemusia znamenať poruchu.

Jav	Vysvetlenie
Zariadenie nezačne chladiť alebo vykurovať okamžite.	3-minútové odloženie zapnutia chráni kompresor.
Rýchlosť ventilátora sa mení – najskôr je vypnutý, potom sa točí pomaly, neskôr normálne	K tomuto správaniu dochádza automaticky v režime vykurovania – zabraňuje fúkaniu studeného vzduchu na osoby v miestnosti.
Vykurovanie sa z ničoho nič zastaví a začne blikať kontrolka rozmrazovania.	Prebieha roztápanie námrazy na exteriérovej jednotke (5 – 10 minút).
Z interiérovej jednotky vychádza opar.	Tento jav sa môže vyskytnúť v prípade, že je teplota zariadenia nízka a vzduch v miestnosti je horúci a vlhký.
Klimatizačná jednotka vydáva rôzne tiché zvuky.	„Syčanie“: normálne – vyrovnávanie tlaku pri vypnutí alebo zapnutí kompresora.
	„Vrčganie“: bežné rozťahovanie a zmršťovanie plastových a kovových častí.
	Náhly prúd vzduchu – bežné pri obnove polohy lamely.
Zo zariadenia uniká prach.	Tento jav sa môže vyskytnúť pri prvom použití klimatizácie alebo ak sa zariadenie dlhší čas nepoužívalo.
Zo zariadenia vychádza zvláštny zápach.	Väčšinou spôsobené chemikáliami, cigaretovým dymom, varením atď. Ak nie, obráťte sa na servis.
Rýchlosť ventilátora sa mení len v režime chladenia a vykurovania.	Teplota v miestnosti je rovnaká ako teplota zvolená pomocou diaľkového ovládača. Ak to tak nie je, obráťte sa na servis.
Neúčinné vykurovanie.	Môže sa vyskytnúť v prípade, ak sa vonkajšia teplota pohybuje okolo nuly.
Zariadenie sa automaticky zapne.	Bežný jav po výpadku elektrického prúdu.
Zariadenie pracuje s poruchami, nepredvídateľne alebo nereaguje.	Rušenie z mobilných sietí a zosilňovačov diaľkových ovládaní môže spôsobiť poruchy zariadenia.
	Zariadenie odpojte od napájania a následne ho znova pripojte.
	Prevádzku klimatizácie obnovíte stlačením tlačidla ZAP./VYP. na diaľkovom ovládači.
	Ak nedôjde k odstráneniu problému, obráťte sa na servis.

## 4. RIEŠENIE PROBLÉMOV

### ■ Obráťte sa na predajcu

V prípade KTORÉHOKOL'VEK z nasledujúcich javov zariadenie ihneď vypnite!

- Napájací kábel je poškodený alebo neobvykle zahriaty.
  - Vo vzduchu cítiť pach spáleniny.
  - Zariadenie vydáva hlasný alebo neobvyklý hluk.
  - Dochádza k častému vypaľovaniu poistiek a vyhadzovaniu ističa.
  - Zo zariadenia uniká voda alebo iné látky.
  - Kontrolky neustále blikajú.
  - Na displeji sa zobrazuje diagnostický kód, napr. E0, E1, E2... alebo P0, P1, P2... atď.
- Poznačte si číslo modelu zariadenia,
  - Obráťte sa na servis,
  - informujte jeho pracovníkov o prejavoch poruchy!



### UPOZORNENIE

TIETO PORUCHY SA NEPOKÚŠAJTE ODSTRAŇOVAŤ SVOJPOMOCNE!  
OBRÁŤTE SA NA KVALIFIKOVANÝCH SERVISNÝCH PRACOVNÍKOV!



### UPOZORNENIE

- Viacsystémová klimatizácia nemôže byť vo viacerých prevádzkových režimoch súčasne, ako napríklad jedna jednotka v režime CHLADENIA a druhá jednotka v režime VYKUROVANIA. Pri rôznych prevádzkach dostane prioritu režim VYKUROVANIA. Interiérová jednotka, ktorá sa prevádzkuje v režime CHLADENIA alebo VENTILÁTOR, sa zastaví a zobrazí sa hlásenie „P5“.

# VSEBINA

1. PRED UPORABO PREBERITE .....	2
1.1 Varnostni ukrepi .....	3
1.2 Imena delov .....	4
2. DELOVANJE .....	5
2.1 Pogoji delovanja .....	5
2.2 Način delovanja .....	6
2.3 Namigi za ekonomično delovanje .....	6
3. OSKRBA IN VZDRŽEVANJE .....	7
4. ODPRVLJANJE TEŽAV .....	8

Notranja enota	Zunanja enota	Nazivna napetost, Hz
42QTD009DS*	38QUS009DS*	
42QTD012DS*	38QUS012DS*	
42QTD018DS*	38QUS018DS*	
42QTD018D8S*	38QUS018R8S*	
42QTD018R8S*	38QUS018R8S*	
42QTD024R8S*	38QUS024R8S*	
42QTD024DS*	38QUS024DS*	220-240V~ 50Hz
42QTD030DS*	38QUS030DS*	
42QTD036DS*	38QUS036DS*	
42QTD036R8S*	38QUS036R8S*	
42QTD048DS*	38QUS048DS*	
42QTD036DS*	38QUS036DT*	
42QTD036R8S*	38QUS036R8T*	
42QTD048DS*	38QUS048DT*	
42QTD048R8S*	38QUS048R8T*	IDU: 220-240 V~ 50 Hz ODU: 380-415 V 3N~ 50 Hz
42QTD060DS*	38QUS060DT*	
42QTD060R8S*	38QUS060R8T*	



**Pozor: Nevarnost požara samo za  
hladilno sredstvo R32/R290**

## **POZOR!**

Servisiranje se sme izvajati le po priporočilu proizvajalca opreme. Vzdrževanje in popravilo, ki zahteva pomoč drugega usposobljenega osebja je potrebno izvajati pod nadzorom oseb, ki so kompetentne pri uporabi vnetljivih hladilnih tekočin. Za več podrobnosti se prosimo obrnite na PRIROČNIK ZA UPORABNIKE (To je potrebno samo za enote, ki uporabljajo hladilno tekočino R32/R290)

Proizvajalec si pridržuje pravico do spremembe specifikacij izdelka brez predhodnega obvestila.

# 1. PRED UPORABO PREBERITE

Ta izdelek je skladen z Direktivo o nizki napetosti (2014/35/ES) in Direktivo o elektromagnetni združljivosti (2014/30/ES) Evropske unije.



## Pravilno odstranjevanje izdelka (Odpadna električna in elektronska oprema)

**(Pri uporabi te klimatske naprave v evropskih državah upoštevajte spodnja navodila)**

- Ta oznaka na izdelku ali njegovi literaturi kaže odpadno električno in elektronsko opremo, (WEEE po direktivi 2012/19/ES) katere se ne sme odlagati skupaj z običajnimi gospodinjstvi odpadki. To napravo je prepovedano odlagati med gospodinjstve odpadke. Za odlaganje obstajajo različne možnosti:
  1. Občina je vzpostavila sistem zbiranja odpadkov, kjer lahko uporabnik brezplačno odlaga elektronske odpadke.
  2. Ob nakupu novega izdelka bo prodajalec brezplačno prevzel star izdelek.
  3. Proizvajalec bo brezplačno prevzel staro napravo.
  4. Ker stari izdelki vsebujejo dragocene vire, jih lahko prodate trgovcem z odpadnimi kovinami.
 Divje odlaganje odpadkov v gozdove in naravo ogroža vaše zdravje, ker nevarne snovi pronikajo v podtalnico in se znajdejo v prehranjevalni verigi.

- Simboli na enotah in v priročniku:

	<b>POZOR</b>	Ta naprava uporablja vnetljivo hladilno sredstvo. Obstaja nevarnost požara v primeru, da hladilno sredstvo uhaja in je izpostavljeno zunanjemu viru.
	<b>OPOZORILO</b>	Skrbno preberite navodila za delovanje.
	<b>OPOZORILO</b>	S to opremo sme rokovati samo serviser, pri čemer se mora ozirati na navodila za montažo.
	<b>OPOZORILO</b>	Informacije so med ostalim na voljo v navodilih za delovanje in v navodilih za montažo.



- Premičnih delov naprave se ne sme nameščati na nivo nižje od 2,3 m od tal.
- ELEKTRIČNA dela sme opravljati samo avtorizirano osebje, v skladu z nacionalnimi pravili o električni napeljavi. Če je dovodni kabel poškodovan, ga mora zamenjati proizvajalec, storitveni agent, ali drugače kvalificirano osebje, s čimer se izognete tveganju.
- Servisiranje se sme izvajati le po priporočilu proizvajalca opreme.
- Vzdrževanje in popravilo, ki zahteva pomoč drugega usposobljenega osebja je potrebno izvajati pod nadzorom oseb, ki so kompetentne pri uporabi vnetljivih hladilnih tekočin.

# 1. PRED UPORABO PREBERITE

## 1.1 VARNOSTNA OPOZORILA

- Pred uporabo izdelka preberite ta navodila!
- Otroci, starejši od 8 let, in osebe z zmanjšanimi telesnimi, čutnimi in duševnimi zmožnostmi ali pomanjkanjem izkušenj in znanja lahko to napravo uporabljajo le pod nadzorom ali če so prejeli navodila o varni uporabi naprave ter če razumejo z napravo povezane nevarnosti.
- Otroci se ne smejo igrati z napravo. Otroci ne smejo brez nadzora čistiti in vzdrževati naprave.

### OPOZORILO

Ta simbol označuje možnost poškodb osebja ali izgube življenja.

- **Montažo tega izdelka lahko izvaja le ustrezno usposobljeno in izkušeno osebje.**
- **ELEKTRIČNE inštalacije lahko izvaja le pooblaščen osebje v skladu z nacionalnimi predpisi na področju električne napeljave. Če je napajalni kabel poškodovan, ga mora zamenjati proizvajalec, njegov pooblaščen serviser ali podobno usposobljena oseba, da bi se izognili nevarnosti.**
- **Ne uporabljajte podaljškov in v vtičnico nikoli ne priklopite drugih naprav.**
- **Klimatske naprave ne poskušajte sami vzdrževati, popravljati, premikati ali spreminjati. Poiščite strokovno pomoč – obrnite se na pooblaščenega prodajalca.**  
Nepopolno popravilo ali vzdrževanje lahko povzroči uhajanje vode, električni udar ali požar.
- **Enoto izklopite, če se pojavijo čudni vonji, zvoki ali vibracije. Obrnite se na pooblaščenega prodajalca.**
- **V klimatiziranem prostoru ne uporabljajte vnetljivih plinov ali goriv, kot so bencin, benzen, razredčilo itn.**  
To lahko povzroči požar.
- **V klimatiziranem prostoru ne uporabljajte ogrevalne naprave.**  
Nezadostno prezračevanje lahko povzroči nesreče zaradi pomanjkanja kisika.
- **Upravljanje enote z mokrimi rokami lahko povzroči električni udar.**
- **Daljša izpostavljenost delovanju klimatske naprave lahko povzroči mišično neugodje in občutek suhih oči.**  
To lahko vpliva na vaše fizično stanje in povzroči zdravstvene težave.
- **Medtem ko enota deluje, se ne dotikajte reže za izhod zraka ali prezračevalne lopute.**  
Lahko pride do poškodbe.
- **Klimatske naprave ne uporabljajte v vlažnih prostorih, na primer v kopalnici ali pralnici.**  
Neupoštevanje tega lahko povzroči električni udar.
- **Ne vstavljajte rok ali prstov ter drugih predmetov v režo za vhod ali izhod zraka.**  
To lahko povzroči poškodbe, saj se notranji ventilator vrti z visoko hitrostjo.
- **Ne postavljajte predmetov na enoto, še posebej stvari, ki vsebujejo vodo, npr. vaze.**  
Lahko pride do električnega udara.
- **Daljinski upravljalnik shranite izven dosega otrok.**  
Če tega ne upoštevate, lahko pride do zaužitja baterij ali drugih nesreč.
- **Ta naprava je namenjena le za uporabo v gospodinjstvem okolju.**  
Aparat za gospodinjstvo je aparat za tipične gospodinjstvene funkcije v gospodinjstvem okolju, ki ga lahko uporabijo tudi uporabniki brez strokovnjakov, na primer trgovine, uradi in druga podobna delovna okolja ter kmečke hiše, hoteli, moteli in druga namestitvena okolja.

# 1. PRED UPORABO PREBERITE

## ! POZOR

Ta simbol označuje možnost materialne škode ali hudih posledic.

- Izdelek je namenjen **IZKLJUČNO** človeškemu udobju.
- **Ne blokirajte rež za vhod ali izhod zraka.** Lahko pride do slabega delovanja, povečanih stroškov delovanja in zmanjšanega življenjskega cikla naprave.
- **Ne upravljajte sistema z glavnim stikalom za vklop/izklop.**  
To lahko povzroči požar ali puščanje vode.
- **Ne dotikajte se lamel na izmenjevalniku toplote.**  
Kovinski deli imajo lahko ostre robove, na katerih se lahko poškodujete.
- **Če enote dalj časa ne uporabljate, jo izklopite iz napajanja.**
- **Izklopite PRED čiščenjem ali servisiranjem.**
- **Na izdelku nikoli ne uporabljajte močnih čistil, topil ali abrazijskega sredstva za čiščenje.**
- **Redna visoka raven vzdrževanja notranje in zunanje enote je bistvenega pomena.**  
Za globoko očiščenje, mazanje in preverjanje delovanja vseh ključnih komponent je obvezno strokovno **VZDRŽEVANJE**. Obrnite se na kvalificiranega serviserja.

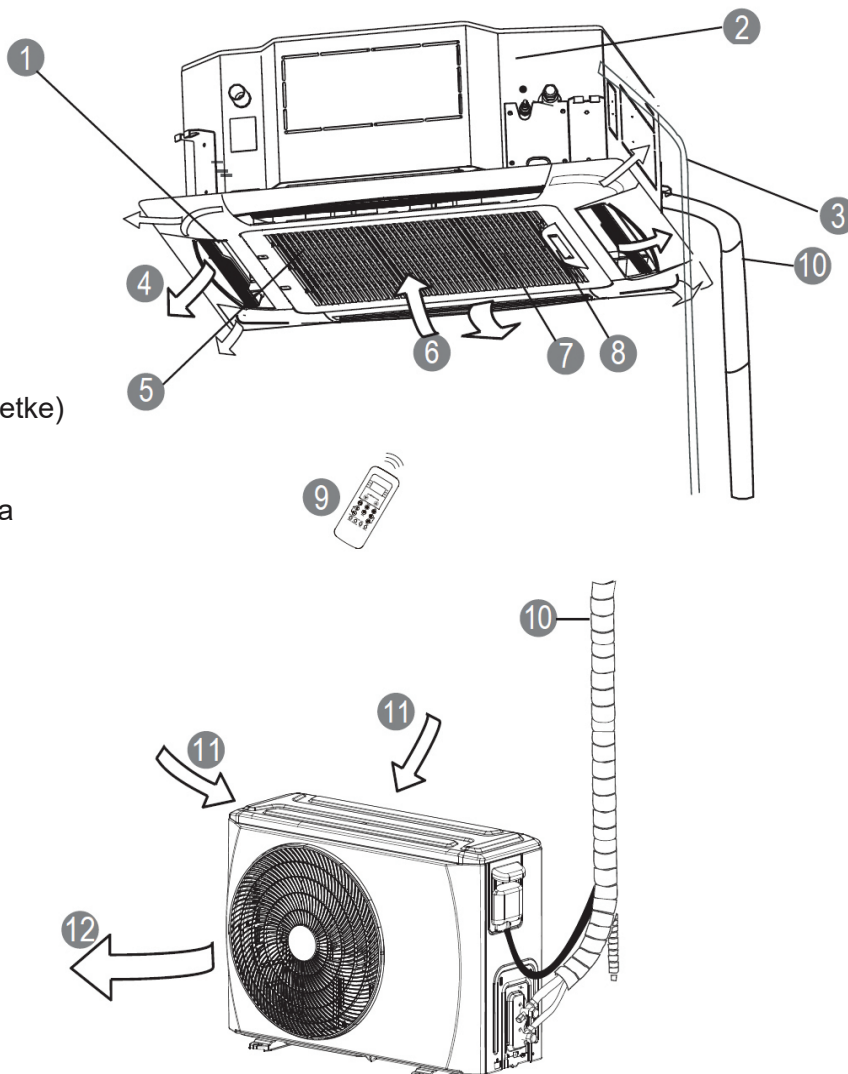
## 1.2 IMENA DELOV

### NOTRANJA ENOTA

- 1 Prezračevalna loputa
- 2 Odtočna črpalka
- 3 Odtočna cev
- 4 Izhod zraka
- 5 Zračni filter (znotraj rešetke)
- 6 Vhod zraka
- 7 Rešetka za dovod zraka
- 8 Prikazovalnik
- 9 Daljinski upravljalnik\*

### ZUNANJA ENOTA

- 10 Povezovalna cev
- 11 Vhod zraka
- 12 Izhod zraka

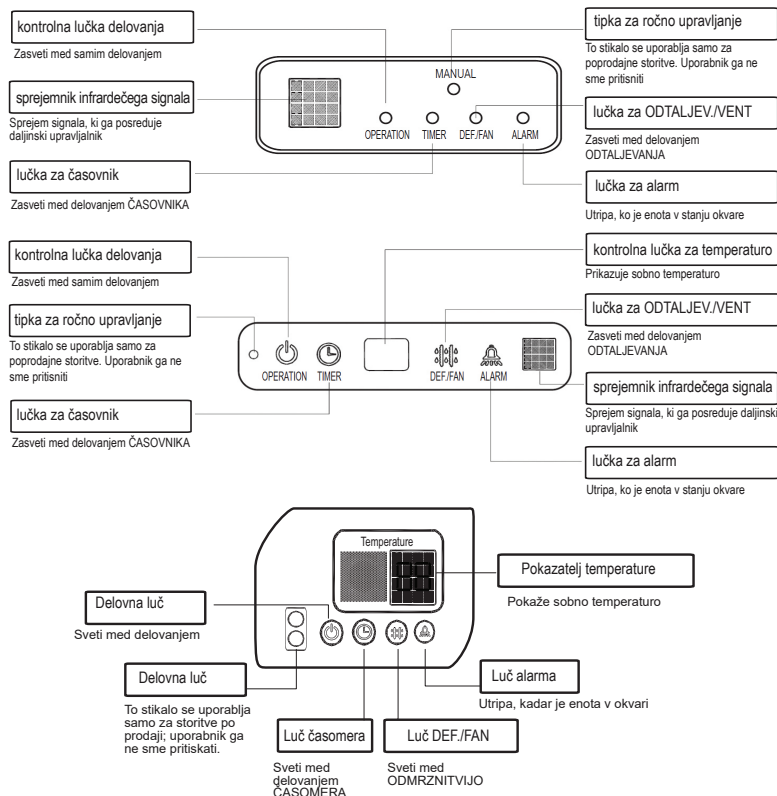


[\*] Daljinski upravljalnik ali žični upravljalnik: odvisno od modela.

# 1. PRED UPORABO PREBERITE

## PRIKAZOVALNIK

Indikatorji funkcij na prikazovalniku notranje enote (Glede na model)



## OPOMBA

- Vse slike v teh navodilih so samo za pojasnilo. Nekoliko se lahko razlikujejo od klimatske naprave, ki ste jo kupili (odvisno od modela). Veljavna je dejanska oblika.
- Priročnik za uporabo daljinskega upravljalnika (ali žičnega upravljalnika) je vključen v ta paket z literaturo.

## 2. DELOVANJE

### 2.1 POGOJI ZA DELOVANJE

Pogoji za delovanje naprave		Notranja enota	Zunanja enota
Hlajenje	Zgornja meja	32 °C ST	46 °C ST
	Spodnja meja	18 °C ST	-10 °C ST
Ogrevanje	Zgornja meja	27 °C ST	24 °C ST
	Spodnja meja	0 °C ST	-15 °C ST

Opomba: ST – suh termometer

- V teh delovnih temperaturah bo doseženo optimalno delovanje naprave.
- Če enota dalj časa deluje nad ali pod temi pogoji, diagnostika sistema lahko zazna napako v delovanju in enota ne bo pravilno delovala.
- Relativna vlažnost prostora – manj kot 80 %. Če klimatska naprava deluje izven tega območja, se lahko na površini klimatske naprave pojavi kondenzacija.
- ZA ZUNANJE ENOTE Z DODATNIM ELEKTRIČNIM GRELCEM. Kadar je zunanja temperatura nižja od 0 °C, močno priporočamo, da enoto ohranite vklopljeno ves čas, da zagotovite enakomerno in stalno delovanje.



## 2. DELOVANJE

### 2.2 NAČIN DELOVANJA

Osnovni načini delovanja: **AUTO (samodejno)/COOL (hlajenje)/DRY (sušenje)/HEAT (ogrevanje)/FAN (ventilator)**

#### Način AUTO (samodejno)

- V tem načinu bo sistem samodejno spreminjal načine delovanja in hitrost ventilatorja na nastavljeno temperaturo.
- [V spomladanskem in jesenskem času boste za natančnejše uravnavanje temperature morda morali spremeniti način COOL (hlajenje)/HEAT (ogrevanje).]

#### Način DRY (sušenje)

V tem načinu se prednostno izvaja razvlaževanje zraka. To se doseže z nizko hitrostjo ventilatorja in cikličnim delovanjem kompresorja, hkrati se tudi regulira sobna temperatura.

#### Zakasnitev kompresorja

Ob začetnem zagonu časovna zakasnitev 3 ali 4 minut zaščiti kompresor.

#### Preprečevanje hladnega prepaha

Notranja enota se pred začetkom delovanja ventilatorja ogreje in tako prepreči oddajanje neprijetnega mrzlega zraka v načinu ogrevanja. Ta zakasnitev traja le nekaj minut.

#### Samodejno odmrzovanje

V načinu ogrevanja začne na zunanji enoti nastajati led. Ventilator notranje enote se pred začetkom ogrevanja za nekaj minut zaustavi, da se led na zunanji enoti stopi.

#### Samodejni ponovni zagon\*

Po prekinitvi napajanja se enota samodejno znova zažene. Predhodne uporabniške nastavitve se pri tem obnovijo.

#### Samodejno zaznavanje uhajanja snovi\*

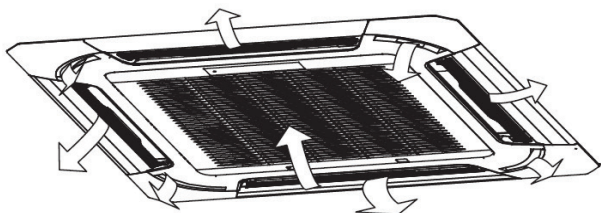
Če naprava zazna uhajanje hladilnega sredstva, enota prikaže kodo »EC« ali sproži utripanje LED luči [odvisno od modela].

#### Pomnilnik prezračevalne lopute\*

Kot prezračevalne lopute se zabeleži in enota bo loputo vrnila na položaj, ki ga je uporabnik nazadnje izbral.

#### Nastavitev smeri zračnega toka

- Za nastavitev smeri zračnega toka pritisnite tipko »AIR DIRECTION« (smer pihanja). Prezračevalna loputa se rahlo premakne vsakič, ko pritisnete tipko.
- Za vklop neprekinjenega gibanja prezračevalne lopute pritisnite tipko »SWING« (nihanje).



[\*] odvisno od modela

### 2.3 NAMIGI ZA VARČNO DELOVANJE

- Če želite doseči zmerno raven udobja, nastavite temperaturo. Prekomerno nizke ali visoke temperature porabijo veliko energije.
- Izboljšajte učinkovitost delovanja tako, da so okna in vrata zaprta.
- S funkcijo TIMER (časovnik) lahko omejite porabo energije [čas zagona].
- Ne blokirajte rež za vhod ali izhod zraka. Lahko pride do slabega delovanja, povečanih stroškov delovanja in zmanjšanega življenjskega cikla naprave.
- Zračne filtre redno pregledujte in jih po potrebi očistite.
- Če enote ne boste uporabljali dlje časa, odklopite vir napajanja.

#### OPOMBA

- Za podrobnosti glejte »NAVODILA ZA UPORABO DALJINSKEGA UPRAVLJALNIKA«.
- Če je položaj lopute usmerjen najbolj navzdol, se lahko v načinu hlajenja ali sušenja pri visoki zračni vlažnosti na enoti ustvarja kondenzat in kaplja z enote.
- Naprava ne sme delovati pri zaprti prezračevalni loputi ali če je ta malo odprta. Zmanjšan pretok zraka zmanjša delovanje in lahko povzroči nastajanje kondenzata.

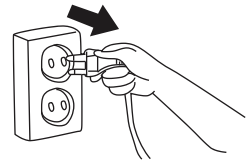
#### ! POZOR

Ne poskušajte prilagoditi prezračevalne lopute z roko.

# 3. ČIŠČENJE IN VZDRŽEVANJE

## POZOR

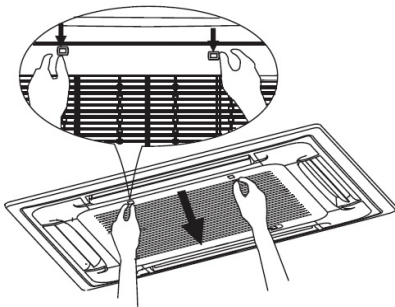
- ODKLOPITE iz vira napajanja pred čiščenjem ali servisiranjem naprave!
- Z mehko in vlažno krpo očistite rešetko, ohišje in daljinski upravljalnik.
- Vedno se obrnite na strokovno usposobljeno osebje za izvajanje popravila ali kakršna koli vzdrževalna dela, ki niso v domeni uporabnika, na primer globoko čiščenje, mazanje in preverjanje delovanja kritičnih komponent.



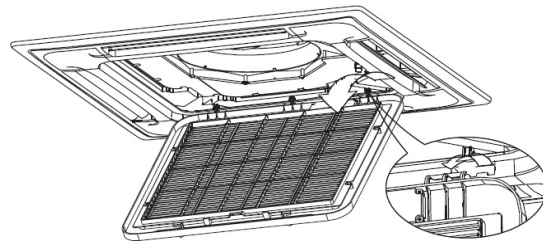
### ■ Čiščenje zračnega filtra

Obrnite se na strokovno usposobljeno osebje za opravljanje storitev, ki vključujejo odstranitev pokrovov. Za dobro delovanje naprave redno pregledujte zračne filtre in jih po potrebi očistite.

– Če želite odpreti rešetko, hkrati pritisnite obe stikali.

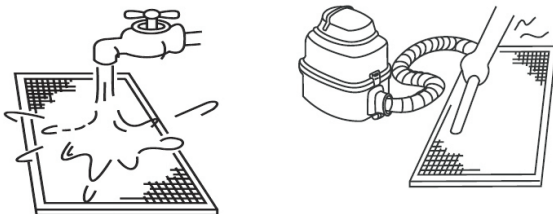


– Odklopite priključni kabel med krmilno enoto in ploščo prikazovalnika. Nato snemite rešetko in vzemite ven filter.



– Očistite zračni filter.

Za čiščenje zračnega filtra lahko uporabite sesalnik za prah ali čisto vodo. Če je nakopičenega prahu preveč, uporabite mehko krtačo in blago čistilo, nato posušite filter na hladnem mestu. Znova namestite zračni filter in rešetko za vhod zraka v obratnem vrstnem redu, kot je opisano zgoraj.



#### OPOMBA:

Če uporabite sesalnik za prah, mora biti stran za dovod zraka obrnjena navzgor.

Če uporabite vodo, mora biti stran za dovod zraka obrnjena navzdol.

### ■ Priprava na shranjevanje [daljša obdobja neuporabe]

1. Očistite zračne filtre.
2. V vlažnih okoljih zaženite način delovanja le z ventilatorjem, dokler se enota ne posuši.
3. Klimatsko napravo izklopite z daljinskim upravljalnikom in iz njega odstranite baterije.
4. Odklopite enoto iz vira napajanja.

### ■ Ponovna uporaba po shranjevanju

1. Preverite, ali kar koli blokira vhod in izhod zraka.
2. Očistite zračne filtre.
3. Preverite, ali so žice poškodovane in ali so pravilno ozemljene.
4. Znova priključite enoto v vir napajanja.
5. Če je temperatura okolja nizka, počakajte 24 ur.
6. V daljinski upravljalnik znova vstavite baterije in vklopite enoto.

## 4. ODPRAVLJANJE TEŽAV

### ■ Preden pokličete servis, preverite naslednje.

TEŽAVA	NAJPREJ PREVERITE!
Enota ne deluje	• Ali je prišlo do izpada električne energije?
	• Ali je izklopljeno kakšno stikalo, prekinjalo oz. je treba zamenjati varovalko?
	• Ali so baterije v daljinskem upravljalniku nove?
	• Ali sta ura in časovnik na daljinskem upravljalniku pravilno nastavljeni?
Slabo hlajenje ali gretje	• Ali so nastavitve temperature in načina delovanja pravilne?
	• Ali so zračni filtri čisti?
	• Ali so okna in vrata zaprta?
	• Ali je pretok zraka v zunanji in notranji enoti neoviran?
	• Ali je hitrost ventilatorja zadostna in prezračevalne lopute omogočajo največji možen pretok zraka?

### ■ Priročniki, nasveti in opozorila

Med običajnim delovanjem lahko pride do naslednjega, kar pa še ne pomeni nepravilnega delovanja.

Primer	Pojasnilo
Hlajenje ali ogrevanje je zakasnjeno.	Kompresor je zaščiten s 3-minutno zakasnitvijo.
Hitrost delovanja ventilatorja se spreminja – izklopljen, deluje počasi in nato deluje z običajno hitrostjo.	To je običajno v načinu ogrevanja – s tem se prepreči, da bi v osebe v prostoru pihal hladen zrak.
Način ogrevanja se nenadoma zaustavi in utripati začne lučka za odmrzovanje.	Poteka taljenje ledu na zunanji enoti (5–10 minut).
Iz notranje enote prihaja megla.	Do tega lahko pride, če je temperatura enote nizka, zrak v prostoru pa topel in vlažen.
Klimatska naprava oddaja tihe zvoke.	»Sikanje«: običajno – izenačevanje tlaka plina ob zaustavitvi in zagonu kompresorja.
	»Cviljenje«: običajno širjenje in krčenje plastičnih in kovinskih delov.
	Šumenje pretoka zraka – običajno ob ponastavitvi položaja prezračevalne lopute.
Iz enote prihaja prah.	Do tega lahko pride ob prvi uporabi klimatske naprave ali v primeru, da klimatske naprave dalj časa niste uporabljali.
Oddaja poseben vonj.	Običajna posledica kemičnih snovi, cigaretne dima, kuhanja ipd. Če je vzrok drugačen, se obrnite na ustreznega izvajalca.
Med hlajenjem ali ogrevanjem preklopi le na delovanje ventilatorja.	Sobna temperatura je enaka temperaturi, ki je bila izbrana z daljinskim upravljalnikom. Če je vzrok drugačen, se obrnite na ustreznega izvajalca.
Slabo delujoča funkcija ogrevanja.	Do tega lahko pride, če so zunanje temperature blizu 0 °C ali manj kot 0 °C.
Enota se samodejno vklopi.	Običajno, kadar se po izpadu električne energije znova vzpostavi normalno stanje.
Delovanje je neredno, nepredvidljivo ali neodzivno.	Motnje zaradi oddajnikov mobilne telefonije in oddaljenih ojačevalnikov lahko povzročijo nepravilno delovanje enote.
	Enoto odklopite iz vira napajanja in jo nato znova priklopite.
	Da bi napravo ponovno zagnali, pritisnite tipko ON/OFF (vklop/izklop) na daljinskem upravljalniku.
	Če težave ne odpravite, se obrnite na ustreznega izvajalca.

## 4. ODPRAVLJANJE TEŽAV

### ■ Obrnite se na pooblaščenega prodajalca.

V primeru, da se zgodi KARKOLI od spodaj navedenega, takoj izklopite enoto!

- Napajalni kabel je poškodovan ali neobičajno topel.
  - V zraku je vonj po zažganem.
  - Slišijo se glasni ali neobičajni zvoki.
  - Pogosto pregori varovalka ali se prekinja odklopno stikalo.
  - V enoto ali iz nje pride voda ali drugi predmeti.
  - Kontrolne lučke neprekinjeno utripajo.
  - Prikaže se samodejna diagnostična koda: E0, E1, E2 ... ali P0, P1, P2 ... ipd.
- Zabeležite številko modela izdelka
  - Obrnite se na ustreznega izvajalca.
  - Podajte vse ugotovljene podrobnosti!



### POZOR

TEH DELOV NE POSKUŠAJTE POPRAVLJATI SAMI!  
OBRNITE SE NA KVALIFICIRANEGA SERVISERJA!



### POZOR

- Večsistemska klimatska naprava ne more sočasno delovati v različnih načinih delovanja, da bi na primer ena enota delovala v načinu »COOL« (hlajenje) in druga enota v načinu »HEAT« (ogrevanje). Ko se izvajajo različni načini delovanja, bo imel prednost način »HEAT« (ogrevanje). Notranja enota, ki deluje v načinu »COOL« (hlajenje) ali »FAN« (ventilator), se bo ustavila in prikazal se bo napis »P5«.

# TABELA E PËRMBAJTJES

1. LEXOJENI PËRPARA PËRDORIMIT .....	2
1.1 Masat paraprake të sigurisë .....	3
1.2 Emrat e pjesëve .....	4
2. PËRDORIMI .....	5
2.1 Kushtet e përdorimit .....	5
2.2 Mënyra e funksionimit .....	6
2.3 Këshilla për përdorimin ekonomik .....	6
3. KUJDESI DHE MIRËMBAJTJA .....	7
4. ZGJIDHJA E PROBLEMEVE .....	8

Njësia e brendshme	Njësia e jashtme	Tensioni dhe frekuenca nominale	
42QTD009DS*	38QUS009DS*	220-240V~ 50Hz	
42QTD012DS*	38QUS012DS*		
42QTD018DS*	38QUS018DS*		
42QTD018D8S*	38QUS018R8S*		
42QTD018R8S*	38QUS018R8S*		
42QTD024R8S*	38QUS024R8S*		
42QTD024DS*	38QUS024DS*		
42QTD030DS*	38QUS030DS*		
42QTD036DS*	38QUS036DS*		
42QTD036R8S*	38QUS036R8S*		
42QTD048DS*	38QUS048DS*		
42QTD036DS*	38QUS036DT*		IDU: 220-240 V~ 50 Hz ODU: 380-415 V 3N~ 50 Hz
42QTD036R8S*	38QUS036R8T*		
42QTD048DS*	38QUS048DT*		
42QTD048R8S*	38QUS048R8T*		
42QTD060DS*	38QUS060DT*		
42QTD060R8S*	38QUS060R8T*		



**Kujdes: Rrezik zjarri vetëm për gazin ftohës R32 / R290**



## **PARALAJMËRIM!**

Shërbimet duhet të bëhen vetëm siç rekomandohen nga prodhuesi i pajisjes. Shërbimet dhe riparimet që kërkojnë ndihmën e personelit të kualifikuar duhet të bëhen nën mbikëqyrjen e personit kompetent për përdorimin e gazrave të ftohjes që marrin flakë. Për më shumë hollësi, ju lutem shikoni informacionet mbi shërbimin në MANUALIN E INSTALIMIT. (Kjo është e nevojshme vetëm për pajisjet që përdorin gaz ftohës R32/R290)

Prodhuesi rezervon të drejtën për t'i ndryshuar specifikimet e produktit pa njoftim.

# 1. LEXOJENI PËRPARA PËRDORIMIT

Ky produkt është përcaktuar që të jetë në përputhje me direktivën për tensionin e ulët (2014/35/KE), dhe direktivën për pajtueshmërinë elektromagnetike (2014/30/KE) të Bashkimit Evropian.



## Hedhja e saktë e këtij produkti (Pajisja elektrike dhe elektronike e dalë jashtë përdorimit)

**(Kur e përdorni kondicionerin në shtetet evropiane, duhet të ndiqen udhëzimet e mëposhtme)**

- Ky shënim mbi produkt ose literaturën e tij tregon se mbetja e pajisjes elektrike dhe elektronike (WEEE si në direktivën 2012/19/EU) nuk duhet të ngatërrohet me mbetjet e zakonshme shtëpiake.

Ndalohet hedhja e kësaj pajisjeje në mbetjet shtëpiake.

Për hedhjen e pajisjes ekzistojnë disa mundësi:

1. Bashkia ka ngritur sisteme grumbullimi, ku mund të hidhen mbeturinat elektronike, minimalisht pa asnjë detyrim për përdoruesin.
2. Kur blini një produkt të ri, shitësi do ta rimarrë produktin e vjetër, minimalisht pa asnjë detyrim.
3. Prodhuesi do ta rimarrë pajisjen e vjetër për hedhje, minimalisht pa asnjë detyrim për përdoruesin.
4. Meqenëse produktet e vjetra përmbajnë burime me vlerë, ato mund t'u shiten shitësve të skrapit.

Hedhja e mbeturinave në pyje dhe vende panoramike rrezikon shëndetin tuaj kur substancat e rrezikshme rrjedhin në ujërat nëntokësore dhe futen në zinxhirin ushqimor.

- Simbolet e përdorura në pajisje dhe në manual:

	<b>PARALAJMËRIM</b>	Kjo pajisje përdor gaz ftohës të djegshëm. Nëse gazi ftohës rrjedh dhe ekspozohet ndaj një burimi të jashtëm ndezjeje, ekziston rrezik zjarri.
	<b>KUJDES</b>	Manuali i operimit duhet të lexohet me kujdes.
	<b>KUJDES</b>	Personeli i shërbimit duhet ta trajtojë këtë pajisje duke iu referuar manualit të instalimit.
	<b>KUJDES</b>	Ka në dispozicion informacione të tilla si manuali i operimit ose manuali i instalimit.

**KUJDES**

- Pjesët e lëvizshme të pajisjes duhet të instalohen/ndodhen në nivel jo më shumë se 2.3m nga dyshemeja.
- Punët ELEKTRIKE mund të bëhen vetëm nga personeli i autorizuar dhe sipas standardit kombëtar për instalimet. Nëse dëmtohet kordoni i energjisë, duhet të ndërrohet nga prodhuesi, agjenti i shërbimit ose persona të ngjashëm të kualifikuar për të shmangur një rrezik.
- Shërbimet duhet të bëhen vetëm siç rekomandohen nga prodhuesi i pajisjes.
- Shërbimet dhe riparimet që kërkojnë ndihmën e personelit të kualifikuar duhet të bëhen nën mbikëqyrjen e personit kompetent për përdorimin e gazrave të ftohjes që marrin flakë.

# 1. LEXOJENI PËRPARA PËRDORIMIT

## 1.1 MASAT PARAPRAKE TË SIGURISË

- Lexojeni këtë manual përpara përdorimit të produktit!
- Kjo pajisje mund të përdoret nga fëmijët e moshës 8 vjeç e lart dhe nga personat me aftësi të kufizuara fizike, ndijore ose mendore ose me mungesë përvoje dhe njohurish, nëse mbikëqyren ose udhëzohen mbi përdorimin e pajisjes në mënyrë të sigurt dhe i kuptojnë rreziqet që paraqiten.
- Fëmijët nuk duhet të luajnë me pajisjen. Pastrimi dhe mirëmbajtja nga përdoruesi nuk duhet të kryhen nga fëmijët pa mbikëqyrje.

### PARALAJMËRIM

Ky simbol tregon mundësinë e lëndimit ose të humbjes së jetës së personelit.

- Instalimi i këtij produkti duhet të kryhet vetëm nga personat me kualifikimet dhe përvojën e duhur.
- Instalimet ELEKTRIKE mund të bëhen vetëm nga personeli i autorizuar dhe në përputhje me standardin vendas të instalimeve elektrike. Nëse kordoni elektrik është i dëmtuar, për të shmangur rreziqet, ai duhet të zëvendësohet nga prodhuesi, agjenti i shërbimit ose persona me kualifikim të ngjashëm.
- Mos përdorni kordon zgjatues dhe mos ndani të njëjtën prizë elektrike me pajisje të tjera.
- Mos u përpiqni të mbani, të riparoni, të zhvendosni apo të modifikoni kondicionerin. Kërkoni ndihmë profesionale - kontakti shitësin e autorizuar.  
Riparimi apo mirëmbajtja në mënyrë të paplotë mund të shkaktojë rrjedhje uji, goditje elektrike ose zjarr.
- Fikeni njësinë nëse ka aroma të pakëndshme, zhurma ose dridhje të pazakonta. Kontakti me shitësin e autorizuar.
- Mos përdorni gaz të ndezshëm ose lëndë të djegshme, si benzinë, benzen, hollues etj. në hapësirën e kondicionuar.  
Kjo mund të shkaktojë zjarr.
- Mos përdorni pajisje ngrohëse në hapësirën e kondicionuar.  
Ventilimi i pamjaftueshëm mund të shkaktojë aksidente për shkak të mungesës së oksigjenit.
- Përdorimi me duar të lagura mund të shkaktojë goditje elektrike.
- Ekspozimi i gjatë në thatësira mund të shkaktojë probleme muskulore dhe tharje të syve.  
Kjo mund të ndikojë në gjendjen tuaj fizike dhe mund të shkaktojë probleme shëndetësore.
- Mos e prekni vrimën e daljes së ajrit ose grilën e ajrimit gjatë kohës që njësia është në përdorim.  
Mund të shkaktojë lëndime.
- Mos e përdorni njësinë në dhomë të lagësht si në banjë apo në dhomën e larjes së rrobave.  
Mund të shkaktohet goditje elektrike.
- Mos fusni asnjëherë duart ose gishtat apo objekte të tjera në vrimat e futjes dhe daljes së ajrit.  
Kjo mund të shkaktojë lëndim, pasi ventilatori i brendshëm rrotullohet me shpejtësi të lartë.
- Mos vendosni asnjë objekt mbi njësi, veçanërisht gjëra që përmbajnë ujë, si p.sh. vazo.  
Kjo mund të shkaktojë goditje elektrike.
- Mbajeni telekomandën larg fëmijëve.  
Në të kundërt, ata mund të gëlltisnin bateritë ose mund t'u ndodhin aksidente të tjera.
- Kjo pajisje synohet vetëm për përdorim në ambiente shtëpie.  
Pajisja për ambientet e shtëpisë është pajisje për nevojat tipike në shtëpi dhe mund të përdoret edhe nga përdorues joekspertë, si p.sh. në dyqane, zyra dhe në ambiente të tjera të ngjashme pune, shtëpi ferme, hotele, motele dhe ambiente të tjera banimi.

# 1. LEXOJENI PËRPARA PËRDORIMIT

## **! KUJDES**

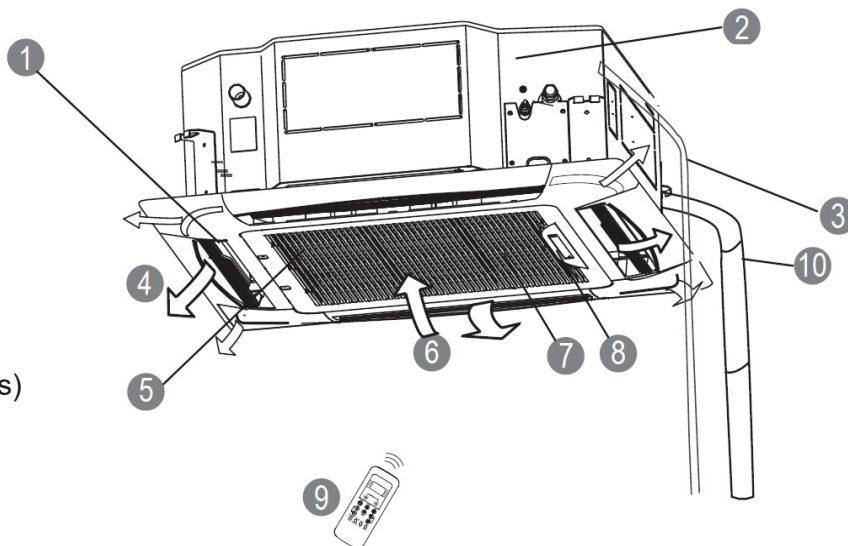
Ky simbol tregon mundësinë e dëmtimit të pronës ose të pasojave të rënda.

- Ky produkt synohet VETËM për komoditetin e njerëzve.
- Mos i bllokoni vrimat e hyrjes ose daljes së ajrit. Kjo do të shkaktonte performancë të dobët, kosto të larta përdorimi dhe reduktim të jetëgjatësisë së produktit.
- Mos e komando sistemin me anë të çelësit kryesor.  
Mund të shkaktojë zjarr ose rrjedhje uji.
- Mos i prekni fletët te shkëmbyesi i nxehtësisë.  
Pjesët metalike mund të kenë skaje të mprehta, të cilat mund të shkaktojnë lëndim.
- Shkëputeni njësinë kur nuk përdoret për periudha të gjata kohore.
- Shkëputeni PËRPARA pastrimit ose kryerjes së shërbimeve në pajisje.
- Mos përdorni kurrë detergjente të forta, tretës ose polirim abraziv mbi produkt.
- Mirëmbajtja e rregullt e nivelit të lartë e njësive të brendshme dhe të jashtme është thelbësore.  
Për pastrimin në thellësi, lubrifikimin dhe kontrollin e funksionimit të të gjithë komponentëve të rëndësishëm kërkohet MIRËMBAJTJE nga specialisti. Kontaktoni personelin e kualifikuar për riparim.

## 1.2 EMRAT E PJESËVE

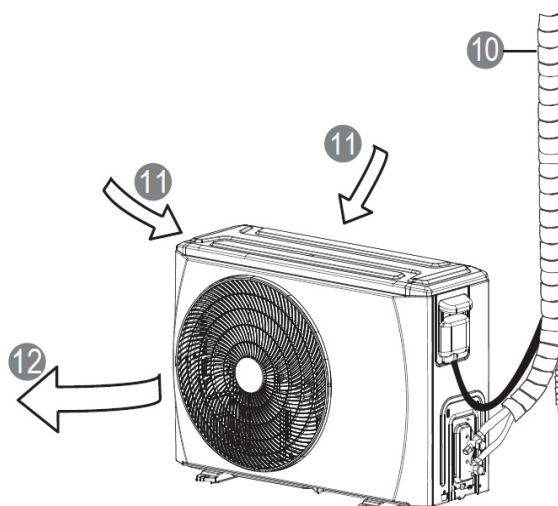
### NJËSIA E BRENDSHME

- 1 Grila e ajrit
- 2 Pompa e shkarkimit
- 3 Tubi i shkarkimit
- 4 Vrima e daljes së ajrit
- 5 Filtri i ajrit (brenda grilës)
- 6 Vrima e hyrjes së ajrit
- 7 Grila e hyrjes së ajrit
- 8 Ekran
- 9 Telekomanda\*



### NJËSIA E JASHTME

- 10 Tubi lidhës
- 11 Vrima e hyrjes së ajrit
- 12 Vrima e daljes së ajrit



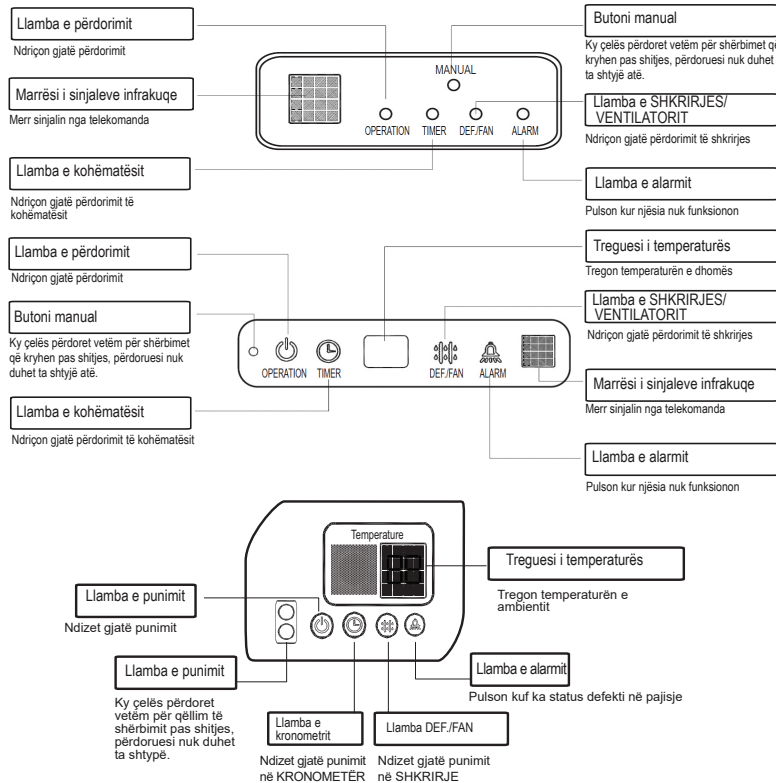
[\*] Telekomandë ose telekomandë me kablo: në varësi të modelit.



# 1. LEXOJENI PËRPARA PËRDORIMIT

## EKRANI

Treguesit e funksioneve në paneline ekranit të pajisjes së brendshme (Në varësi të modelit)



## SHËNIM

- Të gjitha figurat në këtë manual jepen vetëm për qëllim shpjegimi. Ato mund të ndryshojnë paksa nga kondicioneri që keni blerë (në varësi të modelit). Forma aktuale mbizotëron.
- Në dokumentet shoqëruese të produktit gjendet një udhëzues për përdorimin e telekomandës (ose telekomandës me kablllo).

## 2. PËRDORIMI

### 2.1 KUSHTET E PËRDORIMIT

Kushtet e përdorimit		Brenda	Jashtë
Funksioni i ftohjes	Kufiri i sipërm	32°C DB	46°C DB
	Kufiri i poshtëm	18°C DB	-10°C DB
Funksioni i ngrohjes	Kufiri i sipërm	27°C DB	24°C DB
	Kufiri i poshtëm	0°C DB	-15°C DB

Shënim: DB - Llamba e tharjes

- Performanca optimale do të arrihet brenda këtyre temperaturave përdorimi.
- Kur njësia vihet në punë në temperatura më të larta ose më të ulëta për një kohë të gjatë, diagnostikimi i sistemit mund të diktojë keqfunksionim dhe njësia nuk do të punojë siç duhet.
- Lagështia relative e dhomës - më e ulët se 80%. Nëse kondicioneri punon jashtë këtij diapazoni, në sipërfaqen e tij mund të ndodhë kondensim.
- PËR PAJISJET E JASHTME ME NGROHËSE ELEKTRIKE NDIHMËSE: Kur temperatura e jashtme është nën 0°C, rekomandojmë fort ta mbani pajisjen të lidhur gjatë gjithë kohës për të siguruar performancë të mirë të pandërprerë.

## 2. PËRDORIMI

### 2.2 MËNYRA E FUNKSIONIMIT

Modalitetet e funksioneve bazë: **AUTO/COOL/DRY/HEAT/FAN (Automatik/Ftohje/Tharje/Ngrohje/Ventilator)**

#### Modaliteti "AUTO (Automatik)"

- Në këtë cilësim, sistemi do t'i ndryshojë automatikisht modalitetet dhe shpejtësinë e ventilatorit në temperaturën e caktuar.
- [Në pranverë dhe në vjeshtë, kontrolli më nga afër i temperaturës mund të kërkojë ndryshimin e modaliteteve "COOL/HEAT (Ftohje/Ngrohje)".]

#### Modaliteti "DRY (Tharje)"

Në këtë modalitet i jepet prioritet tharjes së ajrit. Për ta realizuar këtë dhe për të rregulluar temperaturën e dhomës, përdoret shpejtësi e ulët ventilatori dhe e regjimit ciklik të kompresorit.

#### Vonesa e kompresorit

Gjatë ndezjes, kompresori mbrohet nga një vonesë kohore prej 3 deri në 4 minuta.

#### Parandalimi i thatësirës nga ftohja

Njësia e brendshme ngrohet përpara aktivizimit të ventilatorit për të shmangur thatësitat e papërshtatshme në modalitetin e ngrohjes. Kjo vonesë duhet të zgjasë vetëm disa minuta.

#### Shkrirja automatike

Gjatë modalitetit të ngrohjes, në njësinë e jashtme formohet akull. Për shkrirjen e këtij akulli, ventilatori i brendshëm ndalet për disa minuta përpara se të vazhdojë ngrohja.

#### Rindezja automatike\*

Njësia do të rindizet automatikisht pas ndërprerjes së energjisë. Rikuperohen të gjitha cilësimet e mëparshme të përdorimit.

#### Diktimi automatik i rrjedhjeve

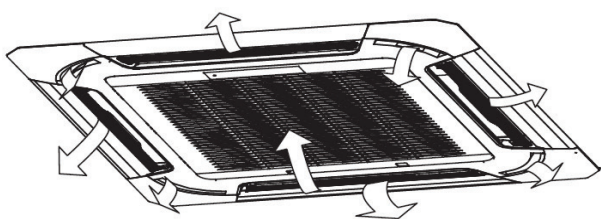
Kur diktohet rrjedhje e ftohësit, njësia do të shfaqë kodin "EC" ose llambat LED.

#### Memorizimi i dritares së ajrimit

Këndi i dritares së ajrimit memorizohet dhe do të rikthehet në pozicionin më të fundit të zgjedhur nga përdoruesi.

#### Rregullimi i drejtimit të qarkullimit të ajrit

- Shtypni "AIR DIRECTION (Drejtimi i ajrit)" në telekomandë për të rregulluar drejtimin e qarkullimit të ajrit. Pozicioni i grilës së ajrimit zhvendoset ngadalë sa herë që shtypet butoni.
- Shtypni "SWING (Lëvizje)" për të aktivizuar lëvizjen e vazhdueshme të grilës së ajrimit.



[\*] Në varësi të modelit

#### SHËNIM

- Për detaje, drejtojeni MANUALIT TË TELEKOMANDËS.
- Në modalitetin e ftohjes ose të tharjes, mund të ndodhë kondensim i ujit, i cili mund të pikojë nga njësia në kushte me lagështi të lartë nëse pozicioni i grilës së ajrimit është ulur në maksimum.
- Mos e përdorni njësinë me grilë ajrimi të mbyllur ose të hapur pak. Qarkullimi i kufizuar i ajrit redukton performancën dhe mund të shkaktojë kondensim.

#### ! KUJDES

Mos tentoni ta rregulloni dritaren e ajrimit me dorë.

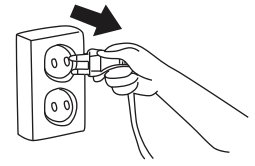
### 2.3 KËSHILLA PËR PËRDORIM EKONOMIK

- Rregulloni temperaturën për të arritur nivele mesatare komoditeti. Temperaturat shumë të ulëta ose të larta shkaktojnë humbje të energjisë.
- Përmirësojeni performancën duke i mbajtur dritaret dhe dyert të mbyllura.
- Kufizoni përdorimin e energjisë [kohën e përdorimit], duke përdorur funksionin e kohëmatësit.
- Mos i bllokoni vrimat e hyrjes ose daljes së ajrit. Kjo do të shkaktojë performancë të dobët, kosto të larta përdorimi dhe reduktim të jetëgjatësisë së produktit.
- Kontrolloni filtrat e ajrit në mënyrë periodike dhe pastrojini kur është e nevojshme.
- Shkëputeni burimin e energjisë nëse njësia nuk do të përdoret për një periudhë të gjatë.

# 3. KUJDESI DHE MIRËMBAJTJA

## KUJDES

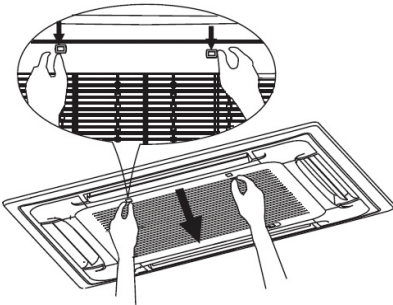
- SHKËPUTENI nga burimi i energjisë PËRPARA se të provoni ta pastroni ose riparoni!
- Gjatë pastrimit të grilës, kasës dhe telekomandës, përdorni një leckë të butë e të lagur.
- Kontaktoni gjithmonë personelin e kualifikuar të shërbimit për ta riparuar ose për të kryer punë mirëmbajtjeje që përdoruesi nuk e kryen dot, si pastrim të thellë, lubrifikim dhe kontroll të funksionimit të komponentëve të rëndësishëm.



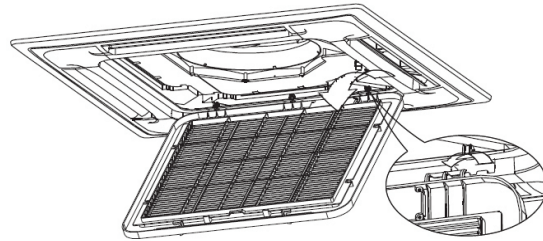
### ■ Pastrimi i filtrave të ajrit

Kontaktoni personelin e kualifikuar të shërbimit për të kryer shërbime që përfshijnë heqjen e kapakëve. Për të ruajtur performancën e mirë, kontrolloni rregullisht filtrat e ajrit dhe pastrojini nëse është e nevojshme.

- Shtypni të dy çelësat e grilës njëkohësisht për ta hapur grilën.

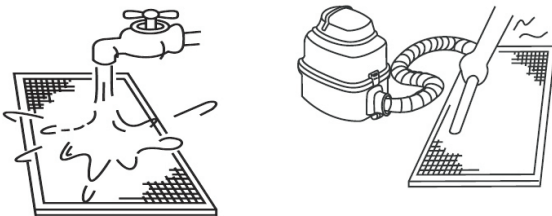


- Shkëputini telat lidhës midis kutisë së kontrollit dhe panelit të ekranit. Pastaj hiqni grilën dhe nxirrni filtrin.



- Pastroni filtrin e ajrit

Për të pastruar filtrin e ajrit mund të përdoret fshesë me korrent ose ujë i pastër. Nëse është grumbulluar shumë pluhur, përdorni furçë dhe detergjent të butë për ta pastruar dhe thajeni në vend të freskët. Instaloni sërish filtrat e ajrit dhe grilën e futjes së ajrit siç përshkruhet më sipër ose nga ana e kundërt.



### SHËNIM:

Kur përdorni fshesë me korrent, ana e hyrjes së ajrit duhet të drejtohet lart.

Kur përdorni ujë, ana e hyrjes së ajrit duhet të drejtohet poshtë.

### ■ Përgatitja për magazinim [periudha të gjata mospërdorimi]

1. Pastroni filtrat e ajrit
2. Në klimë të lagësht, përdoreni njësinë vetëm në modalitetin "Fan (Ventilator)" derisa të thahet.
3. Fikni kondicionerin me anë të telekomandës dhe hiqni bateritë.
4. Shkëputeni nga burimi i energjisë.

### ■ Ripërdorimi pas magazinimit

1. Kontrolloni nëse ka ndonjë pengesë në hyrjen dhe daljen e ajrit.
2. Pastroni filtrat e ajrit
3. Kontrolloni lidhjet elektrike nëse kanë dëmtime apo nuk janë tokëzuar siç duhet.
4. Rilidheni me burimin e energjisë
5. Kur temperatura e ambientit është e ulët, prisni 24 orë.
6. Rivendosni bateritë në telekomandë dhe ndizni njësinë.

## 4. ZGJIDHJA E PROBLEMEVE

### ■ Ju lutemi të kryeni kontrollin e mëposhtëm para se të telefononi për riparim.

PROBLEMI	JU LUTEMI TA KONTROLLONI FILLIMISHT!
Njësia nuk funksionon fare	• A ka ndërprerje të energjisë?
	• A është fikur ndonjë çelës, ka rënë automati apo është djegur siguresa?
	• A janë të reja bateritë në telekomandë?
	• A janë caktuar saktë ora dhe kohëmatësi në telekomandë?
Ftohje ose ngrohje e dobët	• A janë të sakta cilësimet e temperaturës dhe modalitetit?
	• A janë të pastër filtrat e ajrit?
	• A janë mbyllur dritaret dhe dyert?
	• A futet dhe del lirisht ajri nga pajisja e brendshme dhe e jashtme?
	• A është caktuar shpejtësia maksimale e ventilatorit dhe a mundësojnë qarkullim maksimal grilat e ajrimit?

### ■ Udhëzime, këshilla dhe paralajmërime

Gjatë funksionimit normal, mund të ndodhë ndonjë prej situatave të mëposhtme, gjë e cila mund të mos tregojë keqfunksionim.

Rasti	Shpjegimi
Ftohje ose ngrohje me vonesë.	Kompresori mbrohet nga një vonesë prej 3 minutash.
Shpejtësia e ventilatorit ndryshon-fikur, shumë ngadalë dhe më pas normale	Ndodh automatikisht në modalitetin e ngrohjes - parandalon fryrjen e ajrit të ftohtë mbi njerëzit.
Funksioni i ngrohjes ndalon papritur dhe pulson drita e shkrirjes.	Po kryhet heqja e brymës në njësinë e brendshme (5 – 10 minuta).
Nga njësia e brendshme del mjegull	Mund të ndodhë kur temperatura e njësisë është e ulët dhe ajri i dhomës është i ngrohtë dhe i lagësht.
Nga kondicioneri dalin tinguj të ulët	"Fërshëllima": normale - balancimi i presionit të gazit kur ndalon ose ndizet kompresori.
	"Kërcitje": zgjerim dhe kontraktim normal i pjesëve plastike dhe metalike. Ajër me forcë – normal kur dritarja e ajrimit rivendoset në pozicionin e saj.
Njësia shkarkon pluhur.	Mund të ndodhë kur kondicioneri përdoret për herë të parë ose nuk ka qenë përdorur për një kohë të gjatë.
Çliron një aromë të pazakontë.	Zakonisht shkaktohet nga kimikatet, tymi i duhanit, gatimi etj. Në të kundërt, telefonojini ofruesit përkatës të shërbimit.
Kalon në vetëm ventilator gjatë ftohjes ose ngrohjes.	Temperatura e dhomës është e njëjtë me temperaturën e zgjedhur me telekomandë. Nëse nuk ndodh kështu, telefonojini ofruesit përkatës të shërbimit.
Performancë e ulët ngrohjeje	Mund të ndodhë kur temperaturat e jashtme janë shumë afër ose nën zero gradë celsius.
Ndizet automatikisht	Kjo është normale kur rikthehet energjia pas një shkëputjeje.
Punon në mënyrë të çrregullt, të paparashikuar ose nuk reagon.	Interferencat nga antenat e linjave të celularëve dhe përforcuesit nga distanca mund të shkaktojnë keqfunksionim të njësisë.
	Shkëputni dhe rilidhni energjinë.
	Shtypni butonin ON/OFF (NDEZJA/FIKJA) në telekomandë për të rinisur funksionimin.
	Nëse problemi nuk zgjidhet, telefonojini ofruesit përkatës të shërbimit.

## 4. ZGJIDHJA E PROBLEMEVE

### ■ Kontaktoni me shitësin tuaj

Fikni menjëherë njësinë nëse ndodh **NDONJË** prej rasteve të mëposhtme!

- Kordoni elektrik është dëmtuar ose është nxehur më shumë se normalisht.
- Nuhatni aromë djegieje.
- Dëgjohen tinguj të lartë ose jonormalë.
- Digjet siguresa ose automati stakohet shpesh.
- Në njësi hyjnë ose dalin ujë apo objekte të tjera.
- Treguesit pulsojnë vazhdimisht.
- Shfaqet një kod vetëdiagnostikimi p.sh. E0, E1, E2 ... ose P0, P1, P2... etj.

- Regjistroni numrin e modelit të produktit,
- Kontaktoni ofruesin përkatës të shërbimit,
- Ndani të gjitha detajet e vëzhguara!



### **KUJDES**

**MOS U PËRPIQNI T'I KORRIGJONI VETË KËTO PROBLEME!  
KONTAKTONI PERSONELIN E KUALIFIKUAR PËR RIPARIM!**



### **KUJDES**

- Kondicioneri me shumë sisteme nuk mund të caktohet njëkohësisht në modalitete të ndryshme përdorimi, si p.sh. një njësi në modalitetin "COOL (Ftohje)" dhe një njësi në modalitetin "HEAT (Ngrohje)". Kur kryhen veprime të ndryshme, do t'i jepet prioritet modalitetit "HEAT (Ngrohje)". Njësia e brendshme që funksionon në modalitetin "COOL (Ftohje)" ose në modalitetin "FAN (Ventilator)" do të ndalojë dhe do të shfaqë "P5".

# SADRŽAJ

1. PROČITAJTE PRE PUŠTANJA U RAD .....	2
1.1 Sigurnosne mere .....	3
1.2 Nazivi delova .....	4
2. RAD .....	5
2.1 Uslovi rada .....	5
2.2 Kako klima-uređaj radi .....	6
2.3 Saveti za ekonomičan rad .....	6
3. ČIŠĆENJE I ODRŽAVANJE .....	7
4. REŠAVANJE PROBLEMA .....	8

Unutrašnja jedinica	Spoljašnja jedinica	Nazivni napon i Hz
42QTD009DS*	38QUS009DS*	220-240V~ 50Hz
42QTD012DS*	38QUS012DS*	
42QTD018DS*	38QUS018DS*	
42QTD018D8S*	38QUS018R8S*	
42QTD018R8S*	38QUS018R8S*	
42QTD024R8S*	38QUS024R8S*	
42QTD024DS*	38QUS024DS*	
42QTD030DS*	38QUS030DS*	
42QTD036DS*	38QUS036DS*	
42QTD036R8S*	38QUS036R8S*	
42QTD048DS*	38QUS048DS*	
42QTD036DS*	38QUS036DT*	
42QTD036R8S*	38QUS036R8T*	
42QTD048DS*	38QUS048DT*	
42QTD048R8S*	38QUS048R8T*	
42QTD060DS*	38QUS060DT*	
42QTD060R8S*	38QUS060R8T*	
		IDU:220-240 V~ 50 Hz ODU:380-415 V 3N~ 50 Hz



**Opres: Rizik od požara samo za rashladno sredstvo R32/R290**



## **UPOZORENJE!**

Servisiranje je potrebno obaviti samo po preporuci proizvođača opreme. Održavanje i popravke koje zahtevaju pomoć drugačijeg stručnog kadra vrše se pod nadzorom lica nadležnih za upotrebu zapaljivih rashladnih sredstava. Za više detalja, pogledajte informacije o servisiranju u PRIRUČNIKU ZA INSTALACIJU. (Ovo je potrebno samo za uređaj za koji se koristi R32/R290 rashladno sredstvo)

Proizvođač zadržava pravo da promeni specifikacije bilo kog svog proizvoda bez prethodne najave.

# 1. PROČITAJTE PRE PUŠTANJA U RAD

Ovaj proizvod je usaglašen sa Direktivom o niskonaponskoj opremi (2014/35/EC), kao i sa Direktivom o elektromagnetnoj kompatibilnosti (2014/30/EZ) Evropske unije.



## Aдекватно korišćenje ovog proizvoda (Električni i elektronski otpad)

(Pri korišćenju ovog klima-uređaja u evropskim zemljama, obavezno je pratiti sledeća uputstva)

- Ova oznaka prikazana na proizvodu ili njegovoj literaturi, navodi da električna i elektronska oprema (WEEE kao u Direktivi 2012/19/EU), ne sme se mešati sa opštim kućnim otpadom.

Zabranjeno je odlagati ovaj uređaj kao kućni otpad.

Za potrebe odlaganja postoji nekoliko mogućnosti:

1. Lokalna uprava je odredila sisteme prikupljanja u okviru kojih korisnik može besplatno da odlaže elektronski otpad.
2. Prilikom kupovine novog proizvoda, prodavac besplatno uzima stari proizvod.
3. Proizvođač uzima natrag stari proizvod radi odlaganja na otpad, besplatno za korisnika.
4. Budući da stari proizvodi sadrže vredne sekundarne sirovine, možete da ih prodate trgovcima otpadnim materijalima.

Divlje odlaganje otpada u šume i prirodno okruženje ugrožava vaše zdravlje, jer opasne materije dospevaju u podzemne vode i tim putem u lanac ishrane.

- Simboli koji se koriste na jedinicama i priručniku:

	<b>UPOZORENJE</b>	Ovaj uređaj je koristio zapaljivo rashladno sredstvo. Ako je rashladno sredstvo iscurelo i bilo izloženo spoljašnjem izvoru paljenja, postoji rizik od požara.
	<b>OPREZ</b>	Priručnik o radu treba pažljivo pročitati.
	<b>OPREZ</b>	Servisno osoblje treba da rukuje ovom opremom u skladu sa uputstvom za instalaciju.
	<b>OPREZ</b>	Dostupne su informacije, kao što je uputstvo za upotrebu ili uputstvo za instalaciju.

**OPREZ**

- Pokretni delovi uređaja moraju biti instalirani / postavljeni na nivou ne manjem od 2,3 m od poda.
- ELEKTRIČNE radove može da vrši samo ovlašćeno osoblje i u skladu sa nacionalnim standardima ožičenja. Ako je strujni kabl oštećen, mora ga zameniti proizvođač, njegov serviser ili slično kvalifikovane osobe kako bi se izbegla bilo kakva opasnost.
- Servisiranje je potrebno obaviti samo po preporuci proizvođača opreme.
- Održavanje i popravke koje zahtevaju pomoć drugačijeg stručnog kadra vrše se pod nadzorom lica nadležnih za upotrebu zapaljivih rashladnih sredstava.

# 1. PROČITAJTE PRE PUŠTANJA U RAD

## 1.1 SIGURNOSNE MERE

- Pročitajte ovo uputstvo pre korišćenja proizvoda!
- Deca starija od 8 godina i osobe s umanjenim fizičkim, senzornim ili mentalnim sposobnostima, ili neiskusne osobe bez odgovarajućeg znanja, mogu da koriste ovaj uređaj samo pod nadzorom ili prema uputstvima o bezbednoj upotrebi uređaja, uz razumevanje postojećih rizika.
- Ne dozvolite deci da se igraju ovim uređajem. Deca bez nadzora ne smeju da čiste niti da održavaju uređaj.

### UPOZORENJE

Ovaj simbol označava opasnost od povrede ili smrti.

- Ugradnju ovog proizvoda treba da obave isključivo odgovarajuće obučena i iskusna lica.
- **ELEKTRIČNE radove treba da obavi ovlašćeno lice u skladu sa nacionalnim standardima za priključivanje na električne instalacije. Ako je strujni kabl oštećen, može ga zameniti samo proizvođač, serviser ili drugo kvalifikovano lice kako bi se izbegao bilo kakav rizik.**
- Ne koristite produžni kabl ili električni razvodnik.
- **Nemojte pokušavati da održavate, popravljate, pomerate ili menjate svoj klima-uređaj. Zatražite profesionalnu pomoć – kontaktirajte ovlašćenog prodavca.**  
Nekompletna popravka ili održavanje mogu imati za rezultat curenje vode, električni šok ili požar.
- **Isključite uređaj ukoliko primetite neuobičajene mirise, zvukove ili vibracije. Kontaktirajte ovlašćenog prodavca.**
- **Ne koristite uređaj u blizini zapaljivih gasova ili tečnosti kao što su benzin, benzol, razređivač itd. u zatvorenoj prostoriji.**  
To može dovesti do požara.
- **Ne koristite grejna tela u prostoriji u kojoj radi klima-uređaj.**  
Nedovoljna ventilacija može da dovede do nesreća zbog nedostatka vazduha.
- **Upravljanje uređajem vlažnim rukama može izazvati strujni udar.**
- **Dugotrajno izlaganje promaji može izazvati nelagodnost u mišićima i suvoću očiju.**  
To bi moglo da utiče na vaše fizičko stanje i da dovede do problema sa zdravljem.
- **Nemojte dirati izlaznu komoru ili poklopac za usmeravanje vazduha dok uređaj radi.**  
To može da izazove povredu.
- **Ne puštajte jedinicu u rad u vlažnoj prostoriji kao što je kupatilo ili sušionica.**  
To može da dovede do strujnog udara.
- **Nemojte nikada stavljati ruke ili prste ili druge predmete u usisnu ili izduvnu komoru.**  
To može dovesti do povrede, pošto se unutrašnji ventilator okreće pri velikoj brzini.
- **Nemojte na uređaj stavljati nikakav predmet, posebno stvari koje sadrže vodu, kao što su vaze.**  
To može da dovede do strujnog udara.
- **Čuvajte daljinski upravljač van domašaja dece.**  
Ako to ne uradite, oni mogu progutati baterije ili se mogu dogoditi slični incidenti.
- **Ovaj uređaj je predviđen samo za kućnu upotrebu.**  
Uređaj za kućnu upotrebu je uređaj za klasično održavanje kuće koji se koristi u kućnoj sredini i mogu ga koristiti i laici, kao što su radnje, kancelarije i druge slične radne sredine, poljoprivredna gazdinstva, hoteli, moteli i druge stambene jedinice.



# 1. PROČITAJTE PRE PUŠTANJA U RAD

## **! OPREZ**

Ovaj simbol ukazuje na mogućnost oštećenja imovine ili ozbiljnih posledica.

- Ovaj proizvod je namenjen **ISKLJUČIVO** ljudima i njihovoj udobnosti.
- **Nemojte blokirati ulaz ili izlaz.** Može doći do slabog učinka, povećanih troškova upotrebe i smanjenog radnog veka.
- **Nemojte kontrolisati sistem pomoću glavnog prekidača za napajanje.**  
To može dovesti do požara ili curenja vode.
- **Nemojte dirati rebra na razmenjivaču toplote.**  
Metalni delovi mogu imati oštre ivice koje mogu dovesti do povreda.
- **Isključite uređaj iz struje kada ga dugo ne koristite.**
- **Isključiti iz napajanja PRE čišćenja ili servisiranja.**
- **Nikada nemojte koristiti jake deterdžente, rastvarače ili abraziona sredstva na proizvodu.**
- **Redovno održavanje na visokom nivou unutrašnje i spoljašnje jedinice je najbitnije.**  
Profesionalno ODRŽAVANJE je potrebno za duboko čišćenje, podmazivanje i proveravanje funkcije svih osnovnih komponenti. Kontaktirajte kvalifikovane servisere.

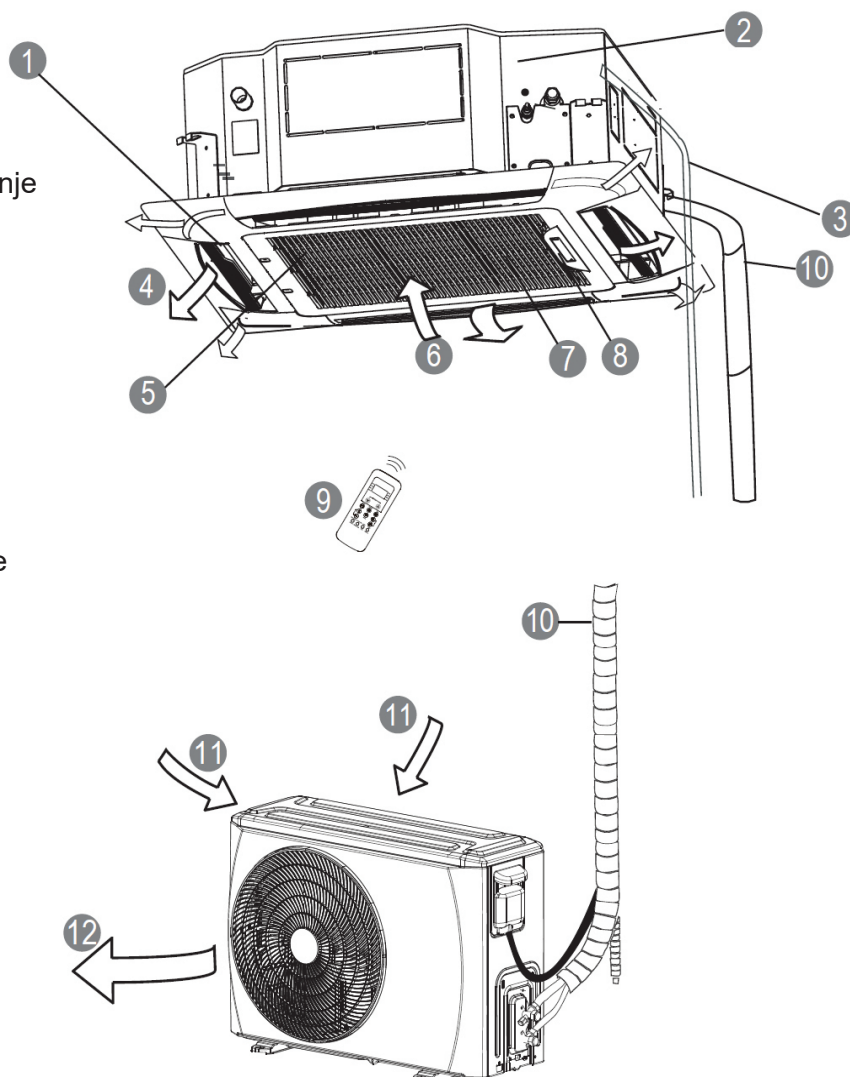
## 1.2 NAZIVI DELOVA

### UNUTRAŠNJA JEDINICA

- 1 Poklopac za usmeravanje vazduha
- 2 Pumpa za odvod
- 3 Cev za odvod
- 4 Izduvna komora
- 5 Filter za vazduh (unutar rešetke)
- 6 Usisna komora
- 7 Rešetka usisne komore
- 8 Ekran
- 9 Daljinski upravljač\*

### SPOLJAŠNJA JEDINICA

- 10 Povezujuća cev
- 11 Usisna komora
- 12 Izduvna komora

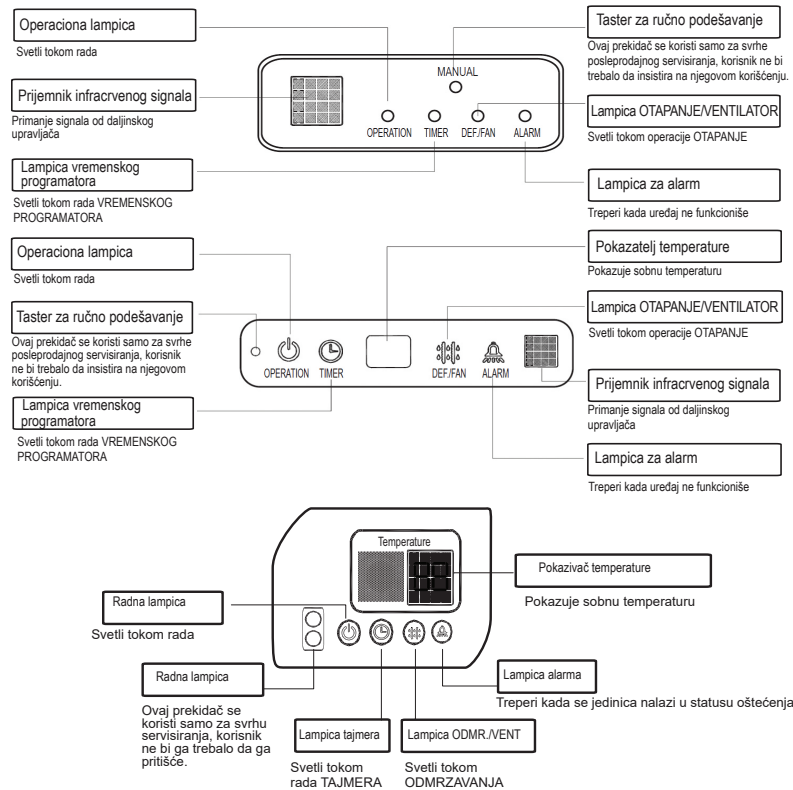


[\*] Daljinski upravljač ili žičani upravljač: zavisno od modela.

# 1. PROČITAJTE PRE PUŠTANJA U RAD

## EKRAN

Indikatori funkcija na panelu za prikazivanje unutrašnje jedinice (u zavisnosti od modela)



## NAPOMENA

- Sve slike u ovom priručniku služe samo kao objašnjenje. Mogu se neznatno razlikovati od klima-uređaja koji ste kupili (zavisno od modela). Stvaran oblik treba da vam bude važniji.
- Smernice o korišćenju daljinskog upravljača (ili žičanog upravljača) uključene su u ovom paketu literature.

## 2. RAD

### 2.1 USLOVI RADA

Uslovi rada		Unutra	Spolja
Hlađenje	Gornja granica	32°C DB	46°C DB
	Donja granica	18°C DB	-10°C DB
Grejanje	Gornja granica	27°C DB	24°C DB
	Donja granica	0°C DB	-15°C DB

Napomena: DB – Izražene su temperature suvog termometra

- Optimalni učinak se postiže u okviru ovih radnih temperatura.
- Kada uređaj dugo vremena radi van ovih uslova, dijagnostika sistema može detektovati nepravilno funkcionisanje i uređaj neće raditi adekvatno.
- Relativna vlažnost prostorije – ispod 80%. Ako je radna temperatura izvan ovog opsega, površina uređaja može postati podložna kondenzaciji.
- ZA SPOLJNE JEDINICE SA POMOĆNIM ELEKTRIČNIM GREJAČIMA: Kada je spoljna temperatura ispod 0 °C, preporučujemo da uređaj bude uključen sve vreme kako bi se obezbedila neprekidna produktivnost.

## 2. RAD

### 2.2 KAKO KLIMA-UREĐAJ RADI

Osnovni režimi rada: **AUTO (AUTOMATSKI) / COOL (HLAĐENJE) / DRY (ISUŠIVANJE) / HEAT (GREJANJE) / FAN (VENTILATOR)**

#### Automatski režim rada

- Kod ovog podešavanja sistem automatski menja režime i brzinu ventilatora do podešene temperature.
- [Da biste postigli tačniju željenu temperaturu u toku proleća i zime, može biti neophodna promena režima rada u COOL (hlađenje) i HEAT (grejanje).]

#### Režim isušivanja vazduha

U ovom režimu, prednost ima funkcija isušivanja vazduha. Isušivanje i održavanje temperature se postiže putem niske brzine ventilatora i radom kompresora.

#### Odloženo puštanje u rad kompresora

Prilikom starta, kompresor počinje da radi tek nakon 3 do 4 minuta kako bi se predupredilo oštećenje.

#### Sprečavanje hladne promaje

Kako bi se izbeglo neprijatno strujanje vazduha (promaja) dok uređaj greje prostoriju, unutrašnja jedinica će se prvo zagrejati pre nego što se ventilator uključi. Ovaj postupak traje nekoliko minuta.

#### Automatsko otapanje

Led se formira na spoljašnjoj jedinici kada uređaj greje. Kako bi se ovaj led otopio, unutrašnji ventilator se zaustavlja na nekoliko minuta pre nego što uređaj nastavi sa grejanjem.

#### Automatsko restartovanje\*

Jedinica će se automatski restartovati nakon prekida u napajanju. Sva prethodna podešavanja će ostati na snazi.

#### Automatska detekcija curenja\*

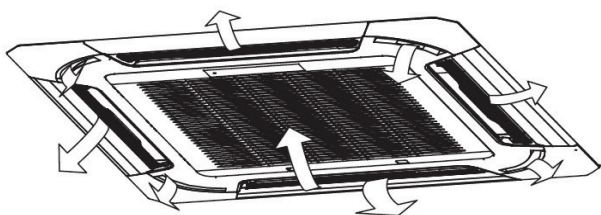
Kada se detektuje curenje rashladnog sredstva, uređaj će prikazati kod „EC“ ili će doći do treperenja LED svetla.

#### Memorija poklopca za usmeravanje vazduha\*

Ugao poklopca za usmeravanje vazduha se memoriše i vraća se u poziciju koju je korisnik poslednju odabrao.

#### Podešavanje pravca toka vazduha

- Pritisnite „PRAVAC VAZDUHA“ na daljinskom upravljaču da biste podesili pravac toka vazduha. Pozicija poklopca za usmeravanje vazduha se neznatno menja nakon svakog pritiska na navedeni taster.
- Pritisnite „SWING“ (STRUJANJE) da biste omogućili stalno pokretanje poklopca za strujanje vazduha.



[\*] Zavisno od modela

#### NAPOMENA

- Detaljna objašnjenja naći ćete u UPUTSTVU ZA KORIŠĆENJE DALJINSKOG UPRAVLJAČA.
- U režimu hlađenja ili grejanja, može se formirati kondenzat koji kaplje sa uređaja u uslovima velike vlažnosti ako je pozicija poklopca za strujanje vazduha u maksimalnoj poziciji nadole.
- Ne puštajte uređaj u rad ako je poklopac za strujanje vazduha zatvoren ili minimalno otvoren. Ograničavanje protoka vazduha umanjuje učinak i može uzrokovati nastanak kondenzata.

#### ! OPREZ

Nemojte pokušavati da ručno podesite poklopac za strujanje vazduha.

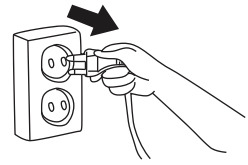
### 2.3 SAVETI ZA EKONOMIČAN RAD

- Podesite temperaturu tako da postignete umereni nivo ugodnosti. Preterano visoke ili niske zadate temperature rasipaju energiju.
- Poboljšajte učinak tako što ćete prozore i vrata držati zatvorenima.
- Kontrolišete vreme rada uređaja korišćenjem funkcije TIMER i ograničite potrošnju energije.
- Nemojte blokirati ulaz ili izlaz. Može doći do slabog učinka, povećanih troškova upotrebe i smanjenog radnog veka.
- Redovno kontrolišite filtere za vazduh i po potrebi ih očistite.
- Isključite uređaj iz struje, ako nije korišćen dugo vremena.

# 3. ČIŠĆENJE I ODRŽAVANJE

## OPREZ

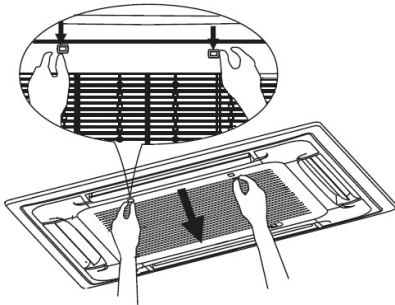
- ISKLJUČITE uređaj iz struje PRE čišćenja ili servisiranja!
- Koristite meku vlažnu krpnu kada čistite rešetku, kućište i daljinski upravljač.
- Uvek kontaktirajte kvalifikovane servisere da obave popravku ili bilo koju vrstu održavanja koju ne obavlja korisnik, kao što su dubinsko čišćenje, lubrikacija i provera funkcionisanja svih kritičnih komponenti.



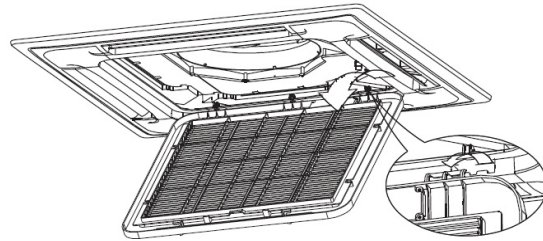
### ■ Čišćenje vazdušnog filtera

Kontaktirajte kvalifikovani servis radi servisiranja koje uključuje uklanjanje poklopaca. Da bi dobro radili, redovno proveravajte vazdušne filtere i čistite ih po potrebi.

- Pogurajte istovremeno oba preklopnika da biste otvorili rešetku.

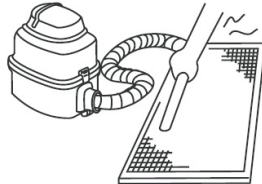


- Prekinite vezu prenosnim vodovima između kontrolne kutije i ploče displeja. Potom uklonite rešetku i izvadite filter.



- Očistite filter za vazduh

Filter za vazduh možete da očistite usisivačem ili običnom vodom. Ako je taloženje prašine preveliko, koristite meku četku i blag deterdžent za čišćenje, a potom ga osušite na suvom mestu. Ponovo instalirajte vazdušni filter i rešetku za ulaz vazduha po obrnutom redosledu od malopre objašnjenog.



#### NAPOMENA:

Strana sa vazduhom unutra treba da se bude okrenuta nagore pri korišćenju usisivača.  
Strana sa vazduhom unutra treba da se bude okrenuta nadole pri korišćenju vode.

### ■ Priprema za duži period nekorisćenja

1. Očistite filtere za vazduh
2. U vlažnim i sparnim klimama, radite samo u režimu VENTILATOR dok se uređaj ne osuši.
3. Isključite klima-uređaj uz pomoć daljinskog uređaja i zamenite baterije.
4. Isključite uređaj iz struje.

### ■ Ponovno korišćenje nakon skladištenja

1. Poverite da li nešto blokira ulaz i izlaz vazduha.
2. Očistite filtere za vazduh
3. Proverite provodnike ako ima oštećenih ili da li je izvršeno adekvatno uzemljenje.
4. Uključite opet uređaj u struju
5. Sačekajte 24 sata kada je temperatura sredine niska.
6. Ponovo postavite baterije u daljinski upravljač i uključite uređaj.

## 4. REŠAVANJE PROBLEMA

- Izvršite sledeću proveru pre nego što nazovete servisera.

PROBLEM	PRVO PROVERITE!
Uređaj uopšte ne radi	• Da li je došlo do nestanka struje?
	• Da li je prekidač isključen, da li je sigurnosni prekidač iskočio ili je osigurač pregoreo?
	• Da li su baterije u daljinskom upravljaču ispravne?
	• Da li su sat i vremenski programator na daljinskom upravljaču dobro podešeni?
Loše hlađenje ili grejanje	• Da li su temperatura i režima rada ispravno podešeni?
	• Da li su vazdušni filteri čisti?
	• Da li su vrata i prozori zatvoreni?
	• Da li se protok vazduha na unutrašnjoj i spoljašnjoj jedinici nesmetano odvija?
	• Da li je brzina ventilatora odgovarajuća i da li poklopci za usmeravanje vazduha omogućavaju maksimalan protok?

- **Smernice, saveti i upozorenja**

Sledeće situacije se mogu desiti tokom normalnog rada uređaja i NE MORAJU označavati nepravilnost u radu:

Problem	Objašnjenje
Uključivanje hlađenja ili grejanja kasni.	Kašnjenje od 3 minuta štiti kompresor.
Brzina rada ventilatora se menja – od isključenog ventilatora, preko veoma sporog do normalne brzine	Ovo se automatski događa u režimu grejanja i time se sprečava izduvavanje hladnog vazduha na korisnike.
Grejanje se naglo zaustavlja i indikator otapanja treperi.	U toku je uklanjanje inja u spoljašnjoj jedinici (5 – 10 minuta).
Iz unutrašnje jedinice izlazi magla bele boje.	Može se javiti kada je temperatura jedinice niska dok je u prostoriji vruće i vlažno.
Čuju se zvuci niskog intenziteta.	„Pištanje“: normalno – pritisak gasa se izjednačava kada kompresor prestane da radi ili počne da radi.
	„Škripanje“: normalno širenje i skupljanje plastičnih i metalnih delova.
	Zvuk strujanja vazduha – normalno u slučajevima kada se položaj poklopcu za usmeravanje vazduha resetuje.
Iz uređaja izlazi prašina.	Može se javiti kada koristimo klima-uređaj po prvi put ili posle dužeg vremena.
Oseća se čudan miris.	Obično je izazvan prisustvom hemikalija, duvanskog dima, isparenja od kuvanja itd. Ako ovo nije slučaj, pozovite ovlašćenog servisera.
Uključuje se samo ventilator u režimu hlađenja i grejanja.	Temperatura prostorije je ista kao ona odabrana na daljinskom upravljaču. Ukoliko ovo nije slučaj, pozovite ovlašćenog servisera.
Loš učinak grejanja.	Može se desiti kada su spoljne temperature blizu ili ispod nula stepeni Celzijusa.
Uređaj se automatski uključuje.	Normalno nakon povratka napona u strujnu mrežu.
Uređaj nepravilno funkcioniše, nepredvidiv je ili ne reaguje na komande.	Predajnici za mobilnu telefoniju ili daljinski pojačivači mogu izazvati smetnje.
	Isključite napajanje pa ga zatim ponovo uključite.
	Da biste ponovo uključili uređaj, pritisnite taster za uključivanje (ON/OFF) na daljinskom upravljaču.
	Ako problem ni time nije rešen, pozovite ovlašćenog servisera.

## 4. REŠAVANJE PROBLEMA

### ■ Kontaktirajte svog prodavca

U slučaju da se desi **BILO KOJA** od sledećih situacija, molimo da istog trenutka isključite uređaj!

- Kabl za napajanje je oštećen ili neuobičajeno zagrejan.
- Oseća se paljevina
- Čuju se glasni i neuobičajeni zvuci.
- Osigurač često pregoreva ili dolazi do iskakanja sigurnosnog prekidača.
- Voda ili druga strana tela su dospela u unutrašnjost uređaja.
- Pokazatelji stalno trepere.
- Prikazuje se kod za samodijagnostiku, na primer E0, E1, E2 ... ili P0, P1, P2... itd.

- Zapišite broj modela proizvoda.
- Kontaktirajte ovlašćenog servisera.
- Podelite sa njim sve informacije o uočenim problemima!



### OPREZ

**NEMOJTE POKUŠAVATI SAMI DA POPRAVITE OVE KVAROVE!  
KONTAKTIRAJTE KVALIFIKOVANOG SERVISERA!**



### OPREZ

- Multisistemski klima-uređaj ne može da bude u različitim radnim režimima odjednom, na primer, da jedna jedinica bude u režimu „HLAĐENJE“, a druga u režimu „GREJANJE“. Prilikom izvođenja različitih operacija, režim „GREJANJE“ će imati prednost. Unutrašnja jedinica koja radi u režimu „HLAĐENJE“ ili „VENTILACIJA“ će se zaustaviti i prikazati „P5“.



Carrier is committed for continuous improvement of Carrier products according to national and international standards to ensure the highest quality and reliability standards, and to meet market regulations and requirements. All specifications subject to change without prior notice according to Carrier policy of continuous development

**AHI CARRIER S.E. EUROPE AIRCONDITIONING S.A.**

18, KIFISOU AVENUE 10442 ATHENS, GREECE

TEL: +30-210-6796300.