



Outdoor Unit	Model of Outdoor Unit		GWH18AGD-K6DNA1A/O	
	Product Code of Outdoor Unit		CB385W01900	
	Compressor Manufacturer/Trademark		ZHUHAI LANDA COMPRESSOR CO., LTD	
	Compressor Model		QXF-A120zH190A	
	Compressor Oil		RB68EP	
	Compressor Type		Rotary	
	L.R.A.	A	18.00	
	Compressor RLA	A	5.00	
	Compressor Power Input	W	1096	
	Overload Protector		1NT11L-6233 or HPC115/95U1 or KSD115℃	
	Throttling Method		Capillary	
	Operation Temp	°C	16~30	
	Ambient Temp (Cooling)	°C	18~43	
	Ambient Temp (Heating)	°C	-15~24	
	Condenser Form		Aluminum Fin-copper Tube	
	Pipe Diameter	mm	Φ7	
	Rows-fin Gap	mm	2-1.4	
	Coil Length (LXD <sub>XW</sub> )	mm	742X38.1X550	
	Fan Motor Speed	rpm	900	
	Output of Fan Motor	W	30	
	Fan Motor RLA	A	0.40	
	Fan Motor Capacitor	μF	/	
	Air Flow Volume of Outdoor Unit	m <sup>3</sup> /h	2200	
	Fan Type		Axial-flow	
	Fan Diameter	mm	Φ438	
	Defrosting Method		Automatic Defrosting	
	Climate Type		T1	
	Isolation		I	
	Moisture Protection		IPX4	
	Permissible Excessive Operating Pressure for the Discharge Side	MPa	4.3	
Permissible Excessive Operating Pressure for the Suction Side	MPa	2.5		
Sound Pressure Level (H/M/L)	dB (A)	52/-/-		
Sound Power Level (H/M/L)	dB (A)	64/-/-		
Dimension (WXHXD)	mm	848X596X320		
Dimension of Carton Box (LXWXH)	mm	878X360X630		
Dimension of Package (LXWXH)	mm	881X363X645		
Net Weight	kg	33		
Gross Weight	kg	36		
Refrigerant		R32		
Refrigerant Charge	kg	0.75		
Connection Pipe	Length	m	5	
	Gas Additional Charge	g/m	16	
	Outer Diameter Liquid Pipe	inch	1/4	
	Outer Diameter Gas Pipe	inch	3/8	
	Max Distance Height	m	10	
	Max Distance Length	m	25	
Note: The connection pipe applies metric diameter.				

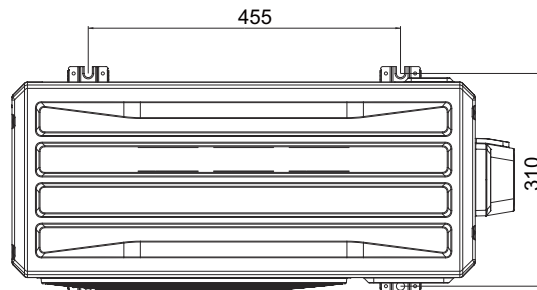
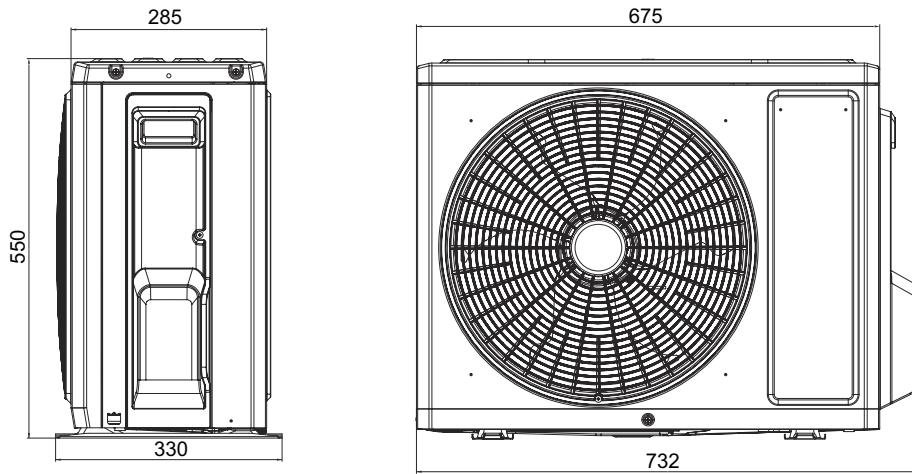
The above data is subject to change without notice; please refer to the nameplate of the unit.





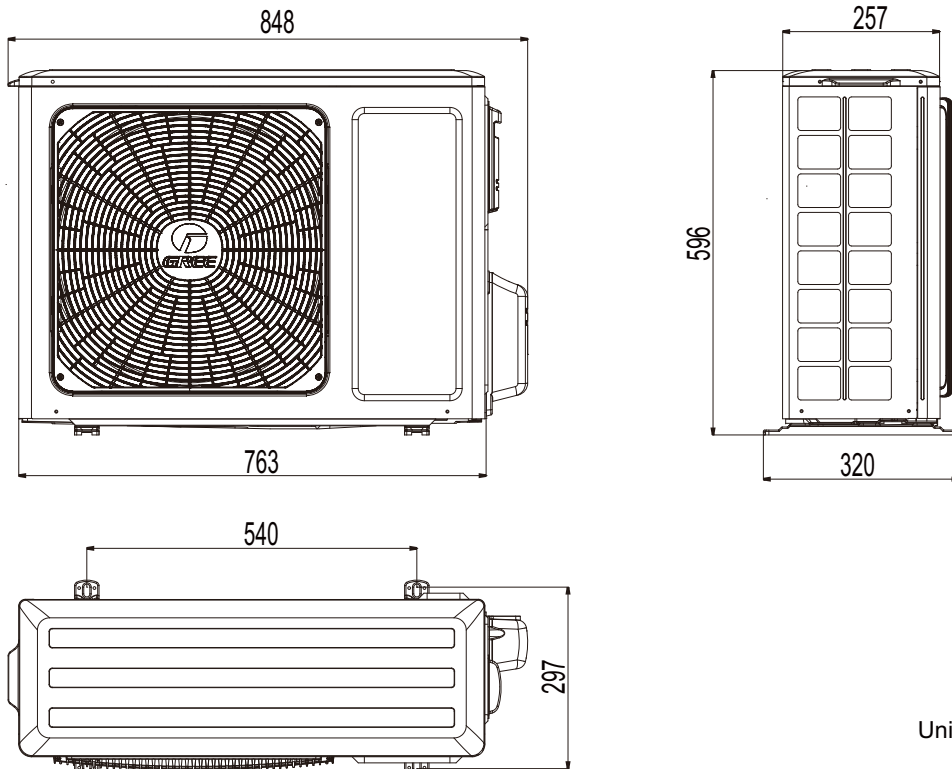
### 3.2 Outdoor Unit

09/12K



Unit:mm

18K



Unit:mm